

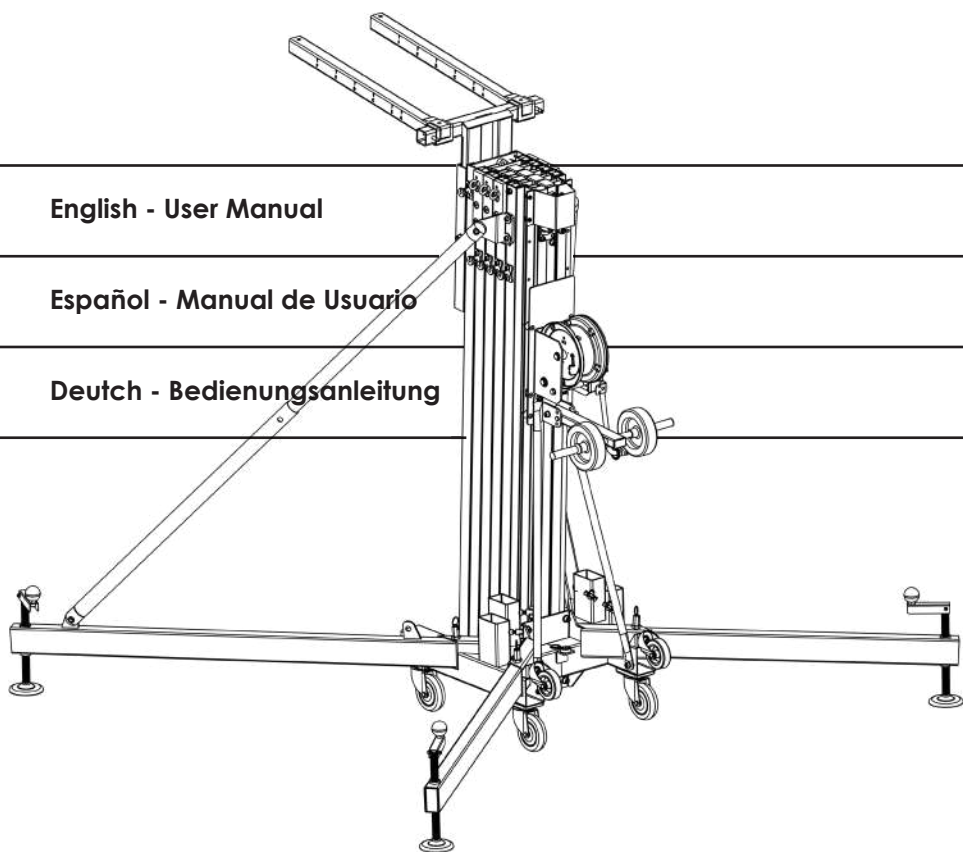
kuzar[®]

K-57

English - User Manual

Español - Manual de Usuario

Deutsch - Bedienungsanleitung





K-57

Max. Load Dynamic Mode: 500 kg (1102 lbs)
Carga máx. modo Dinámico

Max. Load Structural Mode: 1200 kg (2646 lbs)
Carga máx. modo Estructural

Maximum Height: 7 m (23 ft)
Altura máxima

KUZAR SYSTEMS S.L.

C/ Ciudad de Ferrol N°8

Pol.Ind. Fuente del Jarro

46988 Paterna - Valencia (Spain)

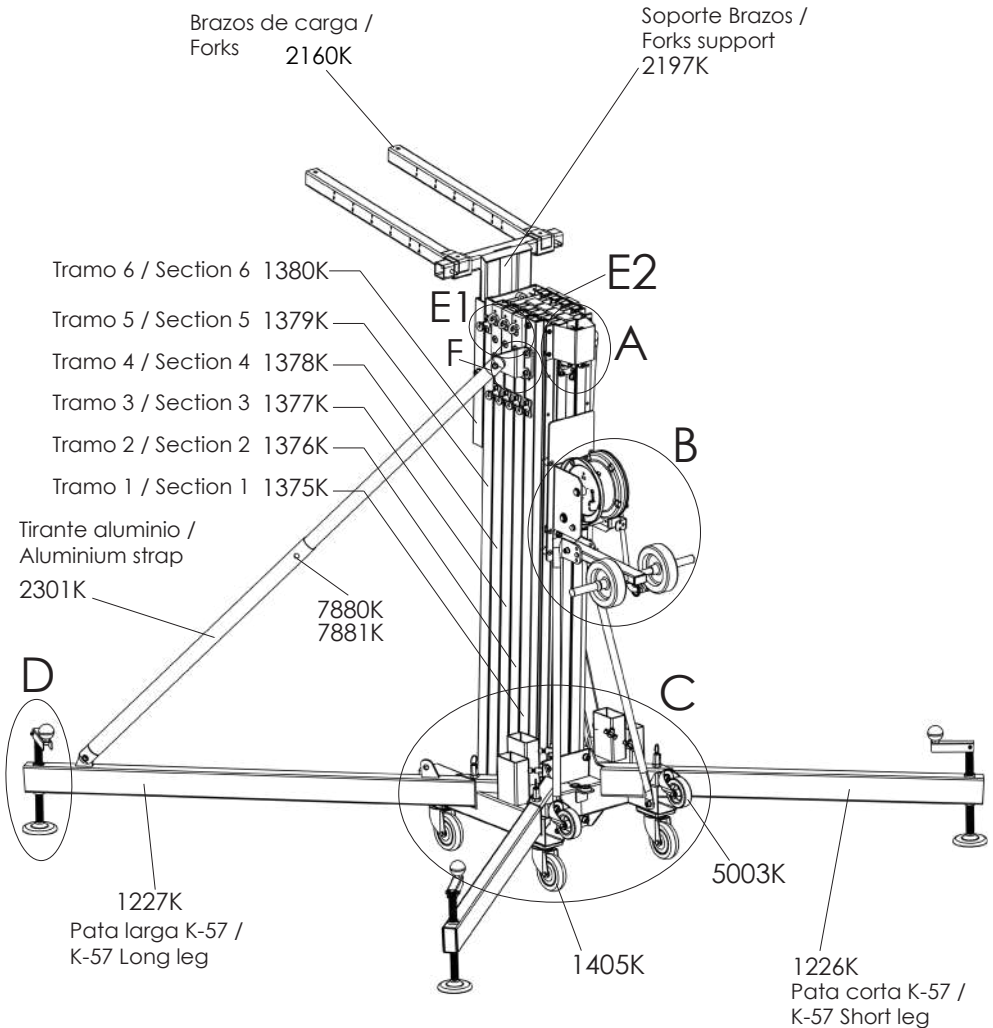
Made in Spain (EU)



Manual de usuario propiedad de KUZAR SYSTEMS S.L. Deposito legal y copyright 2021.
Todos los derechos reservados.

K-57

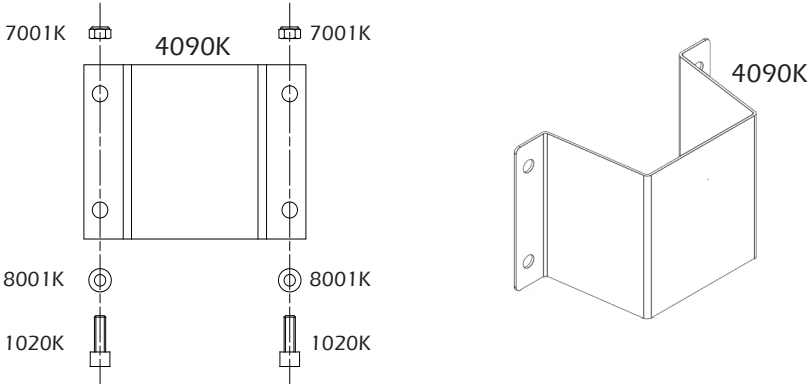
- A** - Reenvios de poleas / Pulley sets
- B** - Set piezas cabrestante / Winch set
- C** - Set piezas de la base / Base set
- D** - Set del estabilizador / Stabilizer set
- E** - Refuerzo lateral / Lateral reinforcement
- F** - Conjunto orejeta / Fixation for strut



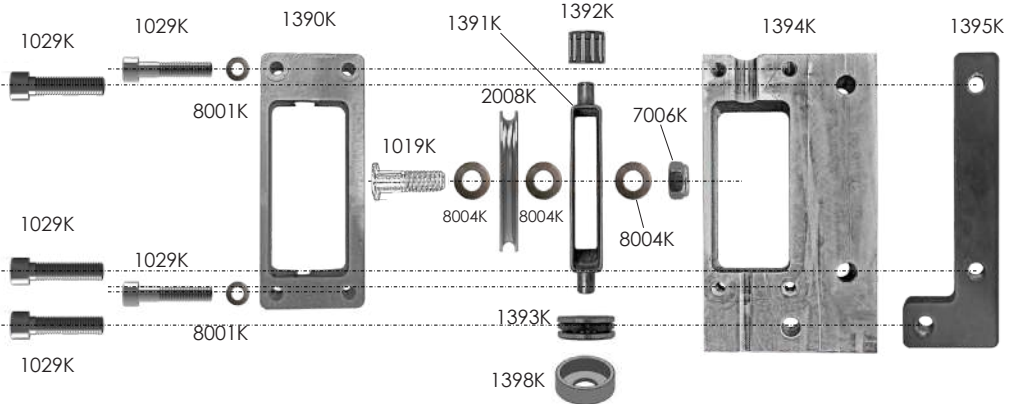
K-57

A

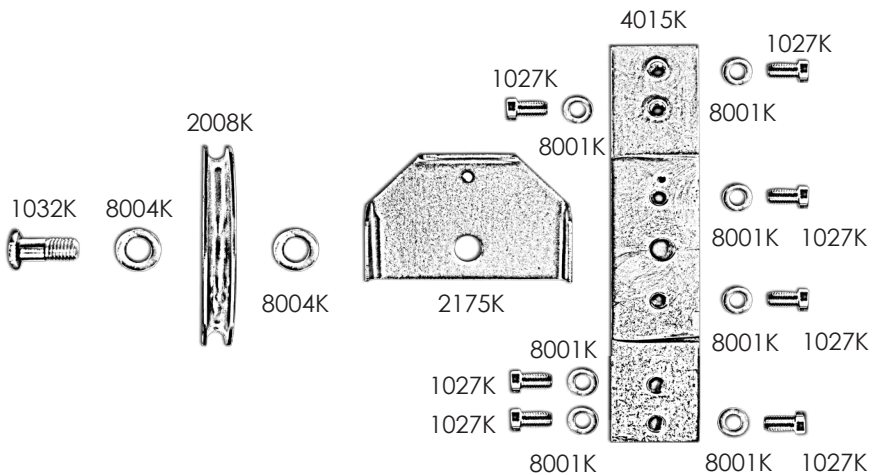
A.0 - Conjunto Protector polea / Pulley protector



A.1 - Reenvío superior Tramo 1 Base / Upper pulley set on Section 1 Base

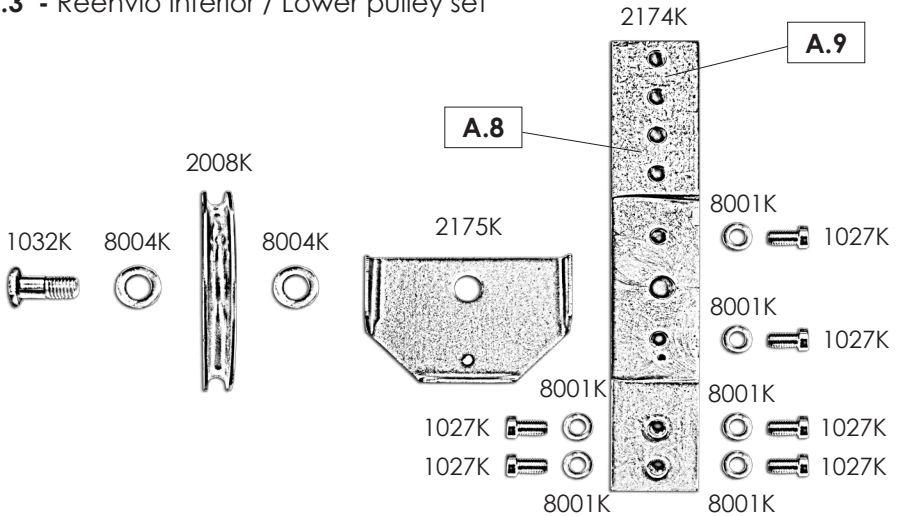


A.2 - Reenvío superior Tramos 2 a 5/ Upper pulley set on sections 2 to 5

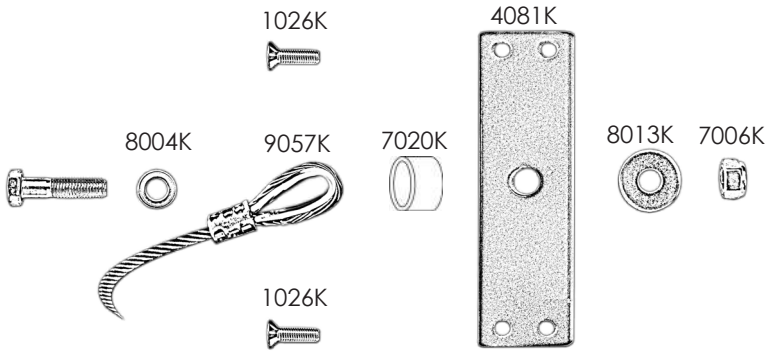


K-57

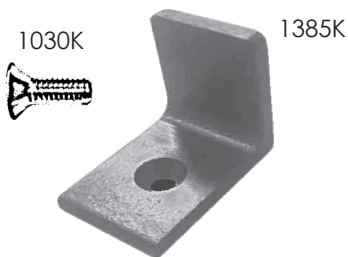
A.3 - Reenvío inferior / Lower pulley set



A.4 - Fijación final de cable / Cable fixation



A.5 - Tope superior tramos 2 a 4 / Stop pieces for section 2 to 4

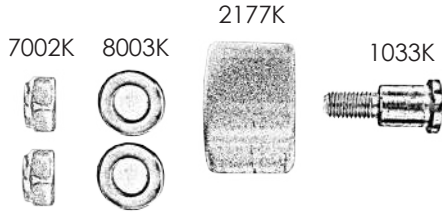


A.6 - Tope superior tramo 5 / Stop piece for section 5

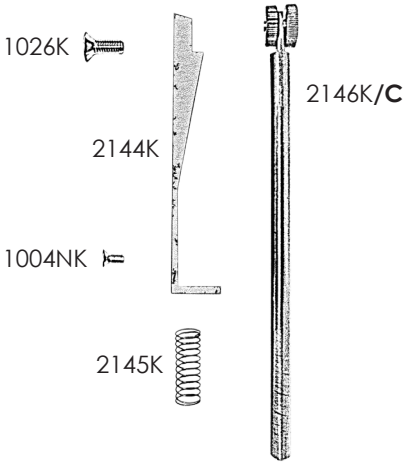


K-57

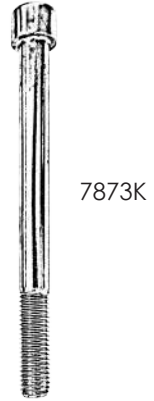
A.7 - Rodillo Nylon / Nylon roller



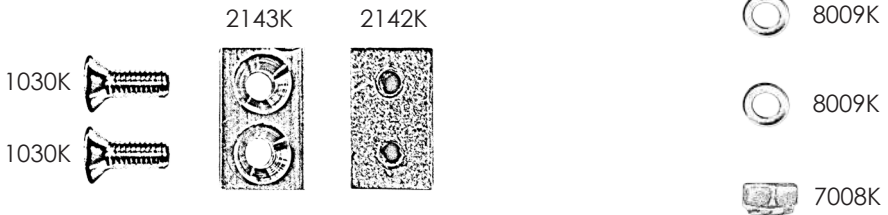
A.8 - Freno de Inercia / Inertial break



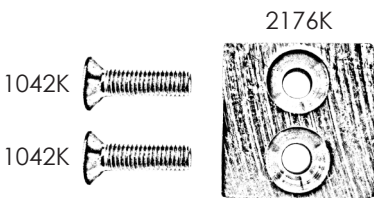
A.9 - Tornillo fijación soporte brazos / Fixation screw for forks support

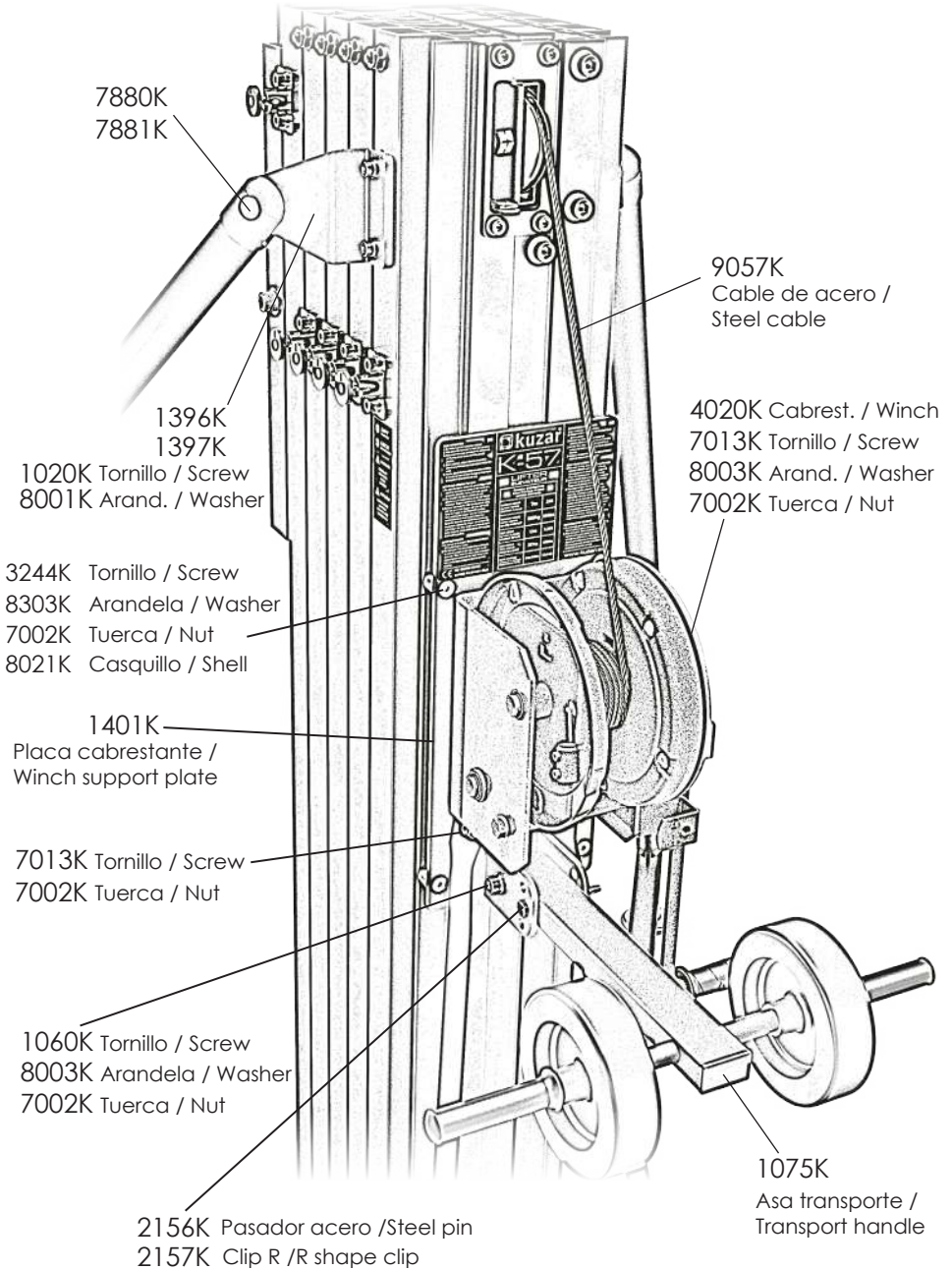


A.10 - Tope superior / Upper stop piece



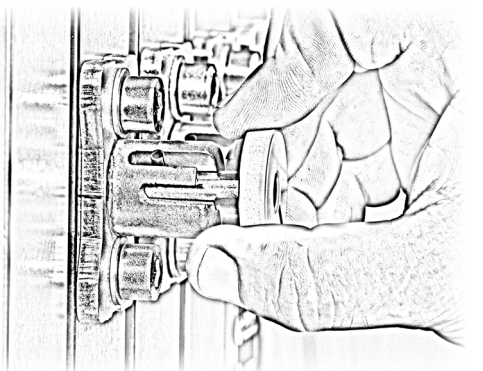
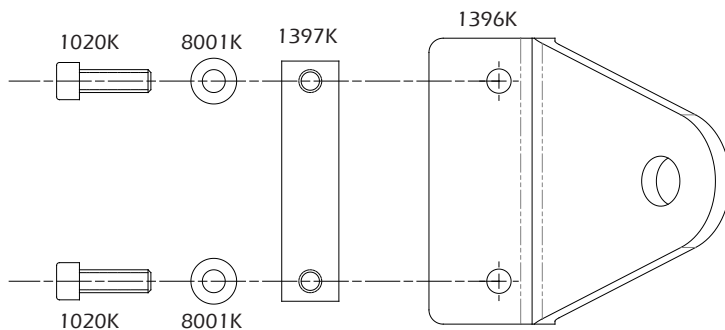
A.11 - Tope inferior / Lower stop piece





K-57

F - Conjunto orejeta / Fixation for strut



LIFT
ELEVAR

LOCK
BLOQUEAR

WARNING!
NEVER LIFT
THE TOWER
WHEN
LOCKED

ATENCIÓN!
NUNCA ELEVE
LA TORRE
CUANDO ESTÉ
BLOQUEADA

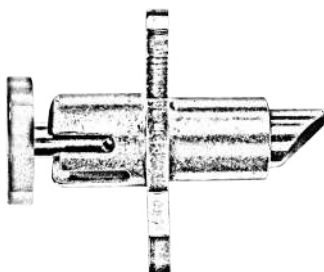
Tornillo /
Screw
1029K



Arandela /
Washer
8001K

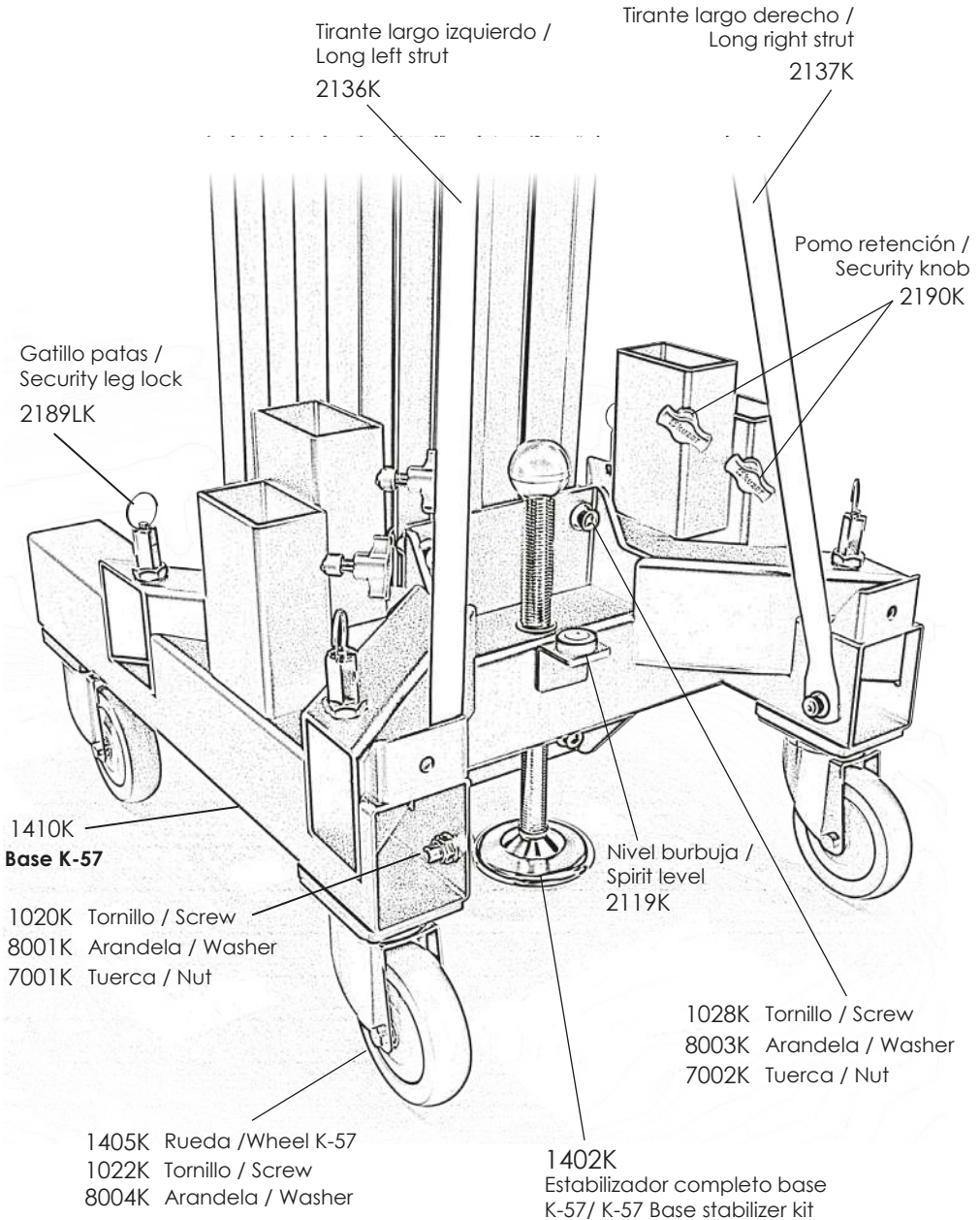


Gatillo KAT /
KAT Lock
2185LK



Taco Gatillo/
Lock rest
2138K

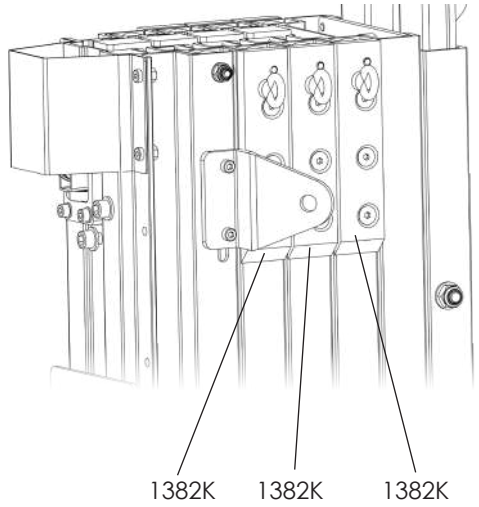
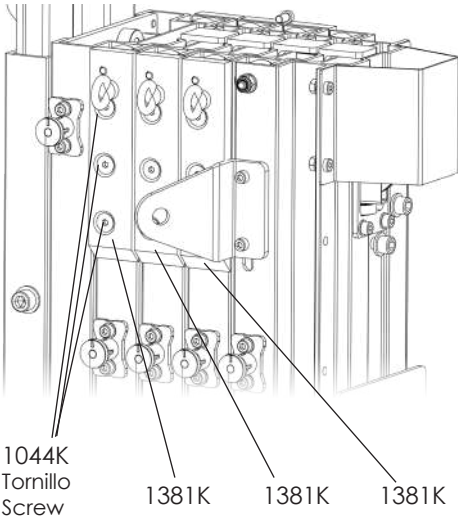




K-57

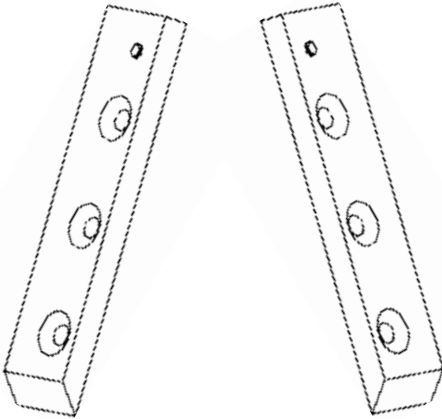
E1

E2

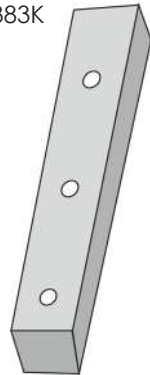


1381K

1382K



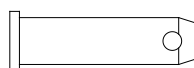
1383K



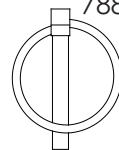
3228K



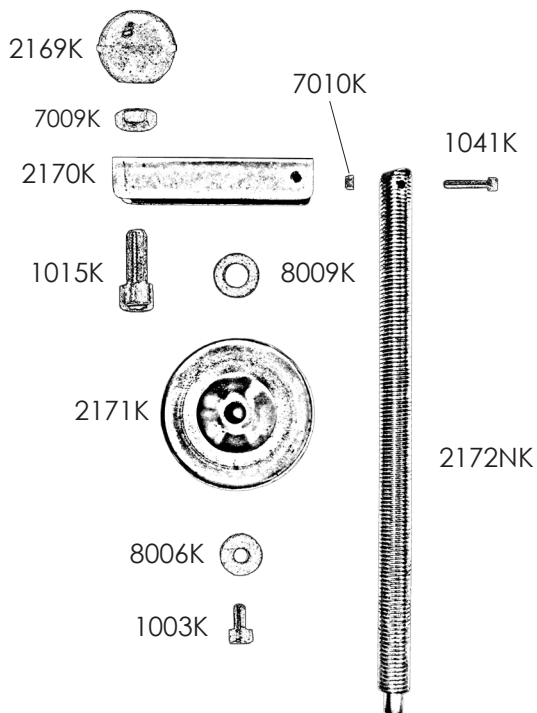
7880K



7881K

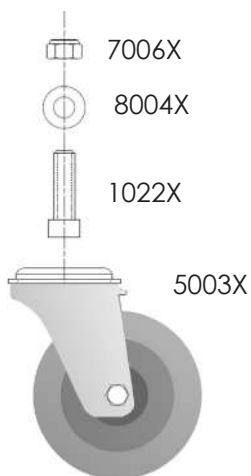
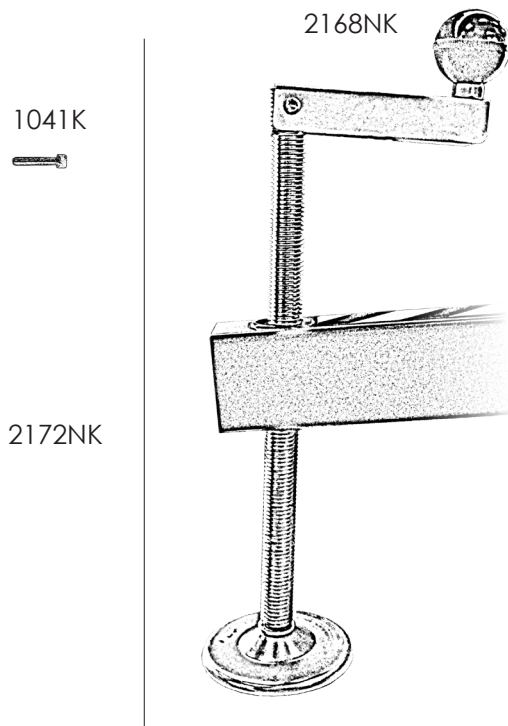


K-57



D

Estabilizador completo /
Complete stabilizer kit



Code/Código**Description/Descripción**

1003K	Tornillo allen M8 x 16 / Allen screw M8 x 16
1004NK	Tornillo cónico M5 x 12 / Conic screw M5 x 12
1015K	Tornillo allen M12 x 25 / Allen screw M12 x 25
1019K	Tornillo especial M12x38mm hexa / Special M12x38 hexa screw
1020K	Tornillo allen M8 x 25 / Allen screw M8 x 25
1022K	Tornillo allen M12 x 40 / Allen screw M12 x 40
1026K	Tornillo cónico M8 x 20 / Conic screw M8 x 20
1027K	Tornillo especial M8 x 16 / Special screw M8 x 16
1028K	Tornillo allen M10 x 30 / Allen screw M10 x 30
1029K	Tornillo allen M8 x 35 / Allen screw M8 x 35
1030K	Tornillo cónico M8 x 25 / Conic screw M8 x 25
1032K	Tornillo especial cabeza plana / Special flat M12 screw
1033K	Tornillo rodillo nylon / Nylon runner screw
1036K	Tornillo allen M8 x 30 / Allen screw M8 x 30
1041K	Tornillo allen M6 x 35 / Allen screw M6 x 35
1042K	Tornillo cónico M8 x 30 / Conic screw M8 x 30
1043NK	Tornillo allen M14 x 200 / Allen screw M14 x 200
1044K	Tornillo M10x40 DIN 7991 / Conic screw M10x40 DIN 7991
1046K	Tornillo especial M12 x 45 / Special Screw M12 x 45
1060K	Tornillo allen M10x80 DIN 912 / Allen screw M10x80 DIN 912
1070K	Tornillo allen M12 x 50 / Allen screw M12 x 50
1075K	Asa transporte / Transport handle
1114K	Pletina fijación cable con argolla / Cable (with shackle) fixation plate
1226K	Pata corta K-57 / Short leg K-57
1227K	Pata larga K-57 / Long leg K-57
1375K	Tramo 1 (Base) / Section 1 (Base) (K-57)
1376K	Tramo 2 / Section 2 (K-57)
1377K	Tramo 3 / Section 3 (K-57)
1378K	Tramo 4 / Section 4 (K-57)
1379K	Tramo 5 / Section 5 (K-57)
1380K	Tramo 6 / Section 6 (K-57)
1381K	Refuerzo lateral izq. / Left lateral reinforcement
1382K	Refuerzo lateral dcho. / Right lateral reinforcement
1383K	Soporte posterior refuerzo / Rear reinforcement support

Code/Código	Description/Descripción
1385K	Tope superior de plegado, incluir ref: 1030K Tornillo M8x25 DIN 7991/ Upper stop piece made of steel, section 2-4
1386K	Tope superior de plegado, incluir ref: 1030K Tornillo M8x25 DIN 7991/ Upper stop piece made of steel, section 5
1390K	Soporte frontal Al porta-polea / Aluminium front support for pulley
1391K	Soporte perfil polea / Pulley profile support
1392K	Rodamiento agujas Ø12mm / Ø12mm needle bearing
1393K	Rodamiento agujas axial / Axial needle bearing
1394K	Soporte trasero Al porta-polea / Rear aluminium pulley holder support
1395K	Pieza "L" acero porta-polea / Piece "L" steel pulley holder
1396K	Oreja soporte tirante refuerzo frontal / Fixation piece for strut
1397K	Pieza fijación para oreja de tirante frontal / Screwed piece strut's fixation
1398K	Cazoleta protector rodamiento / Axial needle bearing protective cup
1401K	Placa porta-cabrestante K-57 / Winch plate K-57
1402K	Estabilizador completo base K-57 / Complete stabilizer kit for K-57
1405K	Rueda K-57 / K-57 Wheel
1410K	Base acero K-57 / Steel base K-57
2008K	Polea acero Ø90x12mm / Ø90x12mm Steel pulley
2008NK	Polea acero Ø90x17mm / Ø90x17mm Steel pulley
2119K	Nivel de burbuja / Spirit level indicator
2136K	Tirante largo izquierdo / Long left strut
2137K	Tirante largo derecho / Long right strut
2138K	Taco Gatillo / Lock rest
2142K	Tope tramos / Section Top
2143K	Tope roscado tramos / Section screw top
2144K	Rampa freno / Brake ramp
2145K	Muelle / Spring
2146K/C	Varilla freno inercia discos Ø22mm / Ø22mm Inertia brake rod
2156K	Pasador / Pin
2157K	Clip "R" / "R" Shape clip
2160K	Brazo de carga reforzado / Lifting reinforced fork
2166NK	Cubre cable polea ancha Ø90 entrada / Cable entry Ø90 wide pulley cover
2168NK	Estabilizador completo K-57 / Complete stabilizer K-57
2169K	Bola grande de estabilizador / Big stabilizer ball
2170K	Manivela grande estabilizador / Big stabilizer handle

Code/Código	Description/Descripción
2171K	Plato grande estabilizador / Big stabilizer plate
2172NK	Esparrago estabilizador M24 x 500 / Threaded bolt M24 x 500
2174K	Macizo porta-poleas inferior / Lower pulley support piece
2175K	Cubre cable polea Ø90 / Pulley cover Ø90
2176K	Taco tope tramos ancho / Large stop piece
2177K	Rodillo nylon grande / Large nylon roller
2179K	Macizo porta-poleas superior / Upper pulley support piece
2185LK	Gatillo KAT (v.14) / KAT Lock (v.14)
2189LK	Gatillo patas largas / Long security leg lock
2190K	Pomo apriete transporte patas / Transport security knob for legs
2193K	Placa sujeción tirantes (v.14) / Strut support plate (v.14)
2197K	Soporte brazo carga / Fork support K-57
2232K	Pletina hierro porta-poleas tramo 1 / Steel plate for 1st section pulley
2233K	Ángulo Fe porta-poleas tramo 1 / Steel angle for 1st section pulley
2234K	Casquillo aluminio Ø25x3 Long: 29mm / Aluminium shell Ø25x3mm
2301K	Tirante aluminio / aluminium strap
3228K	Argolla anclaje vientos / Anchor points for slings
3244K	Tornillo cónico M8x40 DIN 7991 / M8x40 Conic Screw
4004K	Cabrestante 900kg Manivela larga / 900kg Winch Long handle
4015K	Soporte reforzado polea superior / Reinforced upper pulley support
4020K	Cabrestante AL-KO 1201 Plus / Winch AL-KO 1201 Plus
4081K	Pletina final de cable / Cable end piece
4090K	Protector polea entrada / Input pulley protector
5003K	Rueda azul Ø100 sop. negro pernio / Ø100 blue wheel
7001K	Tuerca M8 autoblocante / Auto-block nut M8
7002K	Tuerca M10 autoblocante / Auto-block nut M10
7006K	Tuerca M12 autoblocante / Auto-block nut M12
7007K	Tuerca mariposa autoblocante / Butterfly nut
7008K	Tuerca M14 DIN 985 / Auto-block M14 nut DIN 985
7009K	Tuerca M12 / Nut M12
7010K	Tuerca M6 autoblocante / Auto-block nut M6
7013K	Tornillo M10x25 DIN 7991 / M10x25 conic screw
7020K	Arandela ancha hierro Ø30x15mm / Steel spacer piece Ø30x15mm
7873K	Tornillo allen M14x235mm DIN 912 / M14x235mm allen screw
7880K	Pasador de acero / Fastener steel pin

Code/Código	Description/Descripción
7881K	Clip redondo de seguridad / Security ring clip
8001K	Arandela M8 / M8 washer
8003K	Arandela M10 / M10 washer
8004K	Arandela M12 / M12 washer
8006K	Arandela M8 ancha / Wide M8 washer
8009K	Arandela M14 / M14 washer
8013K	Arandela M12 ancha / Wide M12 washer
8021K	Casquillo aluminio Ø25x3 Long: 17mm / Aluminium shell Ø25x3mm
9057K	Cable K-57 6mm / Cable K-57 6mm

Operating Instructions - ENGLISH

1 - INTRODUCTION.

Dear user. Thank you purchasing your Kuzar K-57 lifter. We hope you will be very satisfied with it.

This manual has been written so that you can understand how to effectively use the lift and most importantly, so that you can use it safely. It is important that you fully read the manual and follow the instructions carefully before using your lift. All Kuzar lifts undergo a very strict quality control process during their manufacture.

So that your lift always works properly please only purchase original Kuzar parts from an authorized distributor or dealer. The user waives all warranty rights if using parts other than Kuzar or if the product is manipulated in any way by an unauthorized third party.

When requesting parts, please refer to the diagrams of this manual and quote the serial number and year of manufacture located on your lifter.

2 - TECHNICAL SPECIFICATIONS.

Kuzar lifter, model K-57 has been designed for vertically lifting lighting, trussing etc in the Professional sound and light sector. For various Kuzar supports available please refer to our website **www.kuzar.es** or catalogue.

2.1 - Max. load Dynamic Mode: 500 kg (1102 lb) / Structural Mode: 1200 kg (2646 lb)

2.2 - Min. load: 25 kg (55 lb)

2.3 - Max. height: 7 m (23')

2.4 - Folded height: 1.90 m (6.23')

2.5 - Work surface: 2.34 x 2.25 m (7.7' x 7.4')

2.6 - Folded base area: 55 cm x 79 cm (1.8' x 2.59')

2.7 - Weight: 223 kg (492 lb)

2.8 - Winch: 1200 kg certified

2.9 - Cable: Steel DIN 3060. Tensile strength 180 kg/mm². Anti-torsion & anti-corrosion
Ø6 mm cable diameter.

2.10 - Construction material: Aluminium profiles 6082T6.

2.11 - Antirust protection priming paint bathed black steel, covered with cured polyester dust.

Operating Instructions - ENGLISH

- 2.12 - Kuzar Automatic Trigger (KAT) on each section which automatically slots in to the sections during elevation, locking them in place.
- 2.13 - Anchor of the legs by safety catches.
- 2.14 - Adjustable stabilizer plates in the legs with nonslip rubber base support.
- 2.15 - Spirit level for vertical alignment.
- 2.16 - Swivel wheels for transporting the lifter to its working position.

3 - SAFETY GUIDELINE.

- 3.1 - Situate the tower on a solid and flat surface.
- 3.2 - Check that the legs are fully inserted and secured in to their housing with the safety locks.
- 3.3 - Ensure that the lifter is in a vertical position and use the spirit level located on the base profile to check. If necessary, adjust its alignment with the plates by turning the handle in the appropriate direction.
- 3.4 - Check that the tower is locked in its working position with the safety lock.
- 3.5 - When used outdoors, place the tower on a hard surface and if necessary secure it against excess wind force via cable braces.
- 3.6 - Do not use ladders nor lean them against the lifter.
- 3.7 - Be careful with any cables, prominent objects etc. placed above the tower.
- 3.8 - Do not stand underneath the load.
- 3.9 - Do not move the tower when it is elevated or loaded.
- 3.10 - Before using the tower, check the condition of the cable. This must be free of cuts and frays. Never use damaged cables.
- 3.11 - Never dismount the winch handle or any element of the winch under any circumstance.
- 3.12 - Once the tower is set-up in its working position we recommended the winch handle is locked to avoid anyone interfering with it.
- 3.13 - The minimum load for a safe operation of the brake is 25 kg. The brake will not function without this minimum load.
- 3.14 - Do not grease or lubricate the brake mechanism of the winch.
- 3.15 - This lift cannot lift human beings.
- 3.16 - For transportation it is necessary to retract all profiles and lock them with the corresponding safety lock.

Operating Instructions - ENGLISH

4 - OPERATION (DYNAMIC MODE).

4.1 - Place the tower on a flat and solid surface where it is going to be used.

4.2 - Remove the legs from their transport supports and insert them in their working position. Check that they are fully inserted and fixed with their safety lock.

Place the reinforcement bars and fix them with their pins to the front legs. Place the tower in its working position and level until the spirit level is centered. The wheels must not touch the ground.

4.3 - Ensure that the lifter is in a vertical position and use the spirit level located on the base profile to check the bubble is centred. If necessary, adjust its alignment with the stabilizer plates by turning the handle in the appropriate direction.

4.4 - Change the forks to their horizontal working position and fix them with the fastener pins, place the load on the forks using a Kuzar Accessory if necessary, and ensure that the tower is only used to lift loads vertically. The minimum load is 25 kg.

NEVER RAISE THE TOWER SECTIONS WITHOUT LOAD.

4.5 - Elevation:

4.5.1 - Ensure that all the KAT locks are in the BLOCK position.

4.5.2 - Change the **n°1 KAT** lock to the LIFT position.

4.5.3 - Turn the handle clockwise to raise the lifting carriage of the tower.

4.5.4 - When you have reached the desired height, fix the **n°1 KAT** lock in by turning the handle anti-clockwise.

Change the **n°1 KAT** lock to the BLOCK position.

4.5.5 - Change the **n°2 KAT** lock to the LIFT position.

4.5.6 - Turn the handle clockwise to rise the next section of the tower.

4.5.7 - When you have reached the desired height, fix the **n°2 KAT** lock in by turning the handle anti-clockwise.

Check that the **n°2 KAT** lock has introduced in to its corresponding hole.

And change the **n°2 KAT** lock to the BLOCK position.



Operating Instructions - ENGLISH

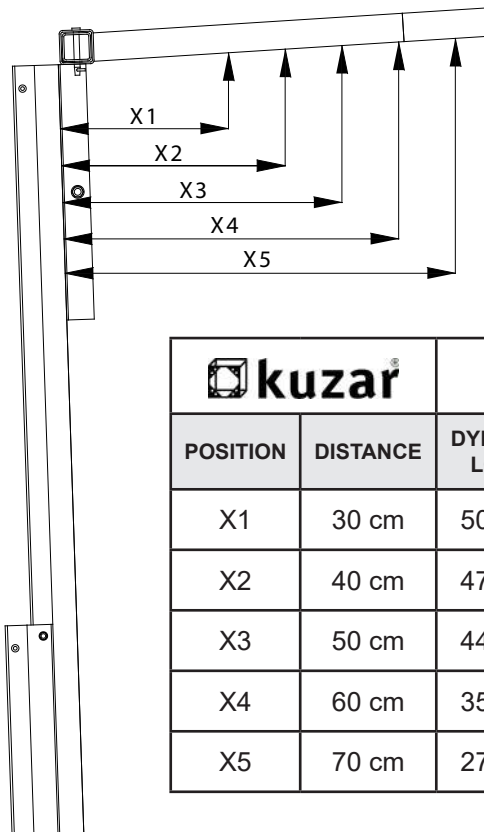
4.5.8 - Repeat these steps to raise all the sections of the tower, changing all the **KAT** locks left orderly to the LIFT position and turning the handle clockwise.

WARNING: The tower can be left in any intermediate height if necessary. Just make sure that the **KAT** locks are always fixed and introduced. In the unlikely event of cable breaking the **KAT** locks will ensure that the tower stays **UP and SECURE**.
Your security is our main concern.

IMPORTANT - HOW TO PLACE THE LOAD ON THE LIFTER

Always load as close to the tower as possible.

Follow the instruction of the next picture to place the load correctly, the diagram shows the load out of the gravity center, with distances to the lifting carriage at a maximum lifting. Notice that the maximum load diminishes according to the distance from the body of the tower.



Operating Instructions - ENGLISH

4.6 - Descent:

- 4.6.1 - To fold the tower down, first, turn the handle of the winch clockwise to tighten the steel cable.
- 4.6.2 - Once the cable is tense, pull out the **n°5 KAT** lock, maintain it always in LIFT position but keep it out.
- 4.6.3 - While you keep the KAT lock out, turn the handle anti-clockwise to bring down the corresponding section of the tower.
- 4.6.4 - Once the section has been brought down, release the **n°5 KAT** lock, and pull out the **n°4 KAT** lock.
- 4.6.5 - While you keep the next KAT lock out, turn the handle anti-clockwise to bring down the next section.
- 4.6.6 - Keep repeating these steps, pulling out all the KAT locks left in order while you turn the handle anti-clockwise.
- 4.6.7 - Once the tower has been folded down, place all the KAT locks in the BLOCK position.

4.7 - Transport:

Turn the handle of the stabilizers to release tension on the legs in order to pull them out. Then, place the legs in their transport compartments located at the base of the tower. Pull out the forks and place them in vertical position. The tower will be ready for transport.

5 - LIFTING THE LOAD IN STRUCTURAL MODE

This mode requires lifting the load with the help of a manual or electric hoist. The tower is used as a structure fully locked at the desired working height and the load is lifted with the hoist.

The tower has the option of changing the position of the lifting carriage. Therefore, depending on the use, the load can be lifted from different heights.

5.1 - Place the reinforcement bars and fix them with their pins to the front legs. Place the tower in its working position and level until the spirit level is centered. The wheels must not touch the ground.

5.2 - Calculate the load to be lifted with the tower. To find out which is the greatest load, take the position furthest from the base of the forks.

Operating Instructions - ENGLISH

5.3 - The accessory is placed in the appropriate position. The equipment is joined with the truss or element to be lifted with the hoist already attached. Unlock the security system of the last profile. Operate the winch handle to raise the load. When the section reaches its desired height, unblock, block with the security system and the next security system to raise the next profile. Carry out the same operation until reaching the required height. All security systems must be in their locked position. Slacken the winch cable so that the load is locked and not dependent on the winch.

Attention! The upload and download speed should be similar. If the structure rises or falls faster than one end, it can cause a destabilization of the entire installation and cause a serious accident.

5.4.- The tower has eye bolts in each profile that allow hooks to be attached according to the chosen working height.

5.5 - To lower the tower: Tighten the cable and unlock the first security system. Rotate the winch while maintaining the unlocking of the safety system with the other hand. If the security system is not operated with one hand, the tower will lower until it is locked. Once the load is lowered, block all the sections and follow the steps in reverse to the lifting.

Attention! If the tower is tried to lower with the cable slack, without tension and one of the safety systems is activated, a dangerous situation will occur because the load will descend very abruptly, potentially destabilizing the entire installation, causing a serious accident.

6 - MAINTENANCE.

6.1 - All cables must be checked regularly. Faulty cables must be replaced immediately. Do not use the lifter with faulty cables as it is potentially very dangerous. Only use DIN 3060 cables, supplied from an authorised dealer.

6.2 - The lifter is delivered ex factory completely greased. Depending on its mechanical Use though, we recommend that the crown wheel of the winch, the pads & bushings of the drive shaft, the handle thread and the profiles of the lift are periodically greased.

Operating Instructions - ENGLISH

ATTENTION:

Do not apply oil or grease to the brake mechanism. The brake discs have been pre-greased with a special heat and pressure resistant grease. To avoid malfunction to the winch brake, no other products must be used except the original provided by the company. It is not necessary to grease the brake discs.

6.3 - Your lifter should be inspected at least once a year by a specialized / authorized service centre.

6.4 - Only original Kuzar spare parts must be used to guarantee the reliability and operational safety of your lifter. The user shall lose all warranty claims if he uses anything other than original spare parts or modifies this product in any way.

6.5 - In case a spare part is required please indicate the reference number which can be found in the spare parts list at the back of this manual.

7 - WARRANTY.

All Kuzar lifts come with 2 years warranty. This warranty period is from the date of purchase. Kuzar will repair any defect product caused by either faulty materials or poor workmanship free of charge within this period as long as the parts are fitted by an authorized Kuzar dealer. Should the product have been manipulated in any way or a repair attempted by an unauthorized dealer the warranty will be invalid. This warranty does not cover damage occurred by improper use.

8 - CERTIFICATIONS

Kuzar reserves the right to make any modification/alteration to the lift without prior notice. Any modification/alteration would be an innovation, intended to improve the product.

Manual de instrucciones - ESPAÑOL

1 - INTRODUCCIÓN.

Estimado usuario. Gracias por la compra de su torre elevadora Kuzar K-57. Esperamos quede satisfecho con ella.

Este manual ha sido escrito para que usted pueda entender cómo utilizar eficazmente la torre y lo más importante, el modo para que pueda utilizarla con seguridad. Es importante que lea el manual y siga las instrucciones cuidadosamente antes de usar la torre.

Todas las torres Kuzar son sometidas a un proceso de control de calidad muy estricto durante su fabricación. Para que su torre elevadora funcione siempre correctamente por favor reemplazar únicamente con piezas originales Kuzar de un distribuidor o concesionario autorizado. El usuario renuncia a todos los derechos de garantía si se usan piezas que no sean Kuzar o si el producto es manipulado por un tercero no autorizado.

Al solicitar piezas, por favor consulte los dibujos de este manual así como el número de serie y año de fabricación ubicados en el elevador.

2 - ESPECIFICACIONES TÉCNICAS.

Torre elevadora Kuzar, modelo K-57 ha sido diseñada para elevar verticalmente iluminación y las estructuras, etc. para el sector del sonido e iluminación profesional. Existen diversos soportes disponibles Kuzar, por favor consulte nuestro catálogo o página web: ***www.kuzar.es***.

2.1 - Max. carga Modo Dinámico: 500 kg (1102 lb) / Modo Estructural: 1200 kg (2646 lb)

2.2 - Min. carga: 25 kg (55 lb)

2.3 - Max. Altura: 7 m (23')

2.4 - Altura plegada: 1.90 m (6.23')

2.5 - Superficie de trabajo: 1.87 x 1.80 m (7.7' x 7.4')

2.6 - Superficie de la base plegada: 55 cm x 79 cm (1.8' x 2.59')

2.7 - Peso: 223 kg (492 lb)

2.8 -Cabrestante: 1200 kg certificado.

2.9 - Cable: Acero DIN 3060. Resistencia a la tracción 180 kg/mm². Anti-torsión y anti-corrosión de Ø6 mm.

2.10 - Material de construcción: Perfiles de Aluminio 6082T6.

2.11 - Acero con pintura de imprimación negra y protección anti-óxido, cubiertos de

Manual de instrucciones - ESPAÑOL

polvo de poliéster al horno.

2.12 - Gatillo Automático de Kuzar (KAT) colocado en cada sección bloquea el movimiento descendente de la torre, este se introduce en cada ranura durante la elevación.

2.13 - Anclaje de las patas por gatillos de seguridad.

2.14 - Estabilizadores ajustables en las patas con apoyo antideslizante de goma.

2.15 - Nivel de burbuja para ajustar la vertical de la torre.

2.16 - Ruedas giratorias para transporte.

3 - GUÍA PARA USO SEGURO.

3.1 - Poner la torre sobre una superficie sólida y plana.

3.2 - Comprobar que las patas estén completamente insertadas en su compartimento y fijadas por el gatillo de seguridad.

3.3 - Asegúrese de que la torre está en una posición vertical, compruébelo haciendo uso del nivel de burbuja situado en el perfil base. Si es necesario, ajustar su verticalidad mediante los estabilizadores, girando la manivela en la dirección apropiada.

3.4 - Comprobar que la torre se bloquea en su posición de trabajo con los gatillos de seguridad KAT.

3.5 - Cuando se usa al aire libre, colocar la torre en una superficie sólida y si es necesario asegurarla contra la fuerza excesiva del viento por medio de tirantes de cable.

3.6 - No utilice escaleras ni las apoye en la torre.

3.7 - Tenga cuidado con los cables, los objetos prominentes etc. situados por encima de la torre.

3.8 - No permanezca debajo de la carga.

3.9 - No mover la torre si está elevada o con carga.

3.10 - Antes de utilizar la torre, verificar el estado del cable. Éste debe estar libre de cortes y desgastes. No utilice nunca cables dañados.

Manual de instrucciones - ESPAÑOL

3.11 - Nunca desmontar la palanca del cabrestante o cualquier elemento del cabrestante bajo ninguna circunstancia.

3.12 - Una vez que la torre está puesta a punto en su posición de trabajo es recomendable que la palanca del cabrestante quede bloqueada para evitar cualquier interferencia con la misma.

3.13 - La carga mínima para un funcionamiento seguro del freno es 25 kg. El freno no funcionará sin esta carga mínima.

3.14 - No engrasar ni lubricar el mecanismo de freno del cabrestante.

3.15 - Este elevador no puede utilizarse para elevar personas.

3.16 - Para el transporte hay que bajar todos los tramos y bloquearlos con el bloqueo de seguridad correspondiente.



4 - OPERACIÓN (MODO DINÁMICO).

4.1 - Coloque la torre en la zona de trabajo, sobre una superficie plana y sólida.

4.2 - Desmonte las patas de sus soportes e insertarlas en su posición de trabajo. Compruebe que estén completamente insertadas y fijadas con el gatillo de seguridad. Colocar las barras de refuerzo y fijarlas con sus pasadores a las patas delanteras. Colocar la torre en su posición de trabajo y nivelar hasta que el nivel de burbuja quede centrado. Las ruedas no deben tocar el suelo.

4.3 - Asegurarse de que el elevador está en posición vertical, para ello, servirse del nivel de burbuja situado en la base, y comprobar que la burbuja está centrada. Si es necesario, ajuste la verticalidad de la torre con los estabilizadores, girando la manivela en la dirección apropiada.

4.4 - Coloque los brazos de carga de la torre en posición horizontal de trabajo y fijelos con los pasadores y clips de seguridad. Coloque un **Accesorio Kuzar** si se requiere, y asegurarse de que la torre sólo se utiliza para levantar cargas en sentido vertical.

Manual de instrucciones - ESPAÑOL

La carga mínima es de 25 kg. NO ELEVE LA TORRE SIN CARGA.

4.5 - Elevación:

4.5.1 - Asegurese que los gatillos KAT estén en posición de BLOQUEO.

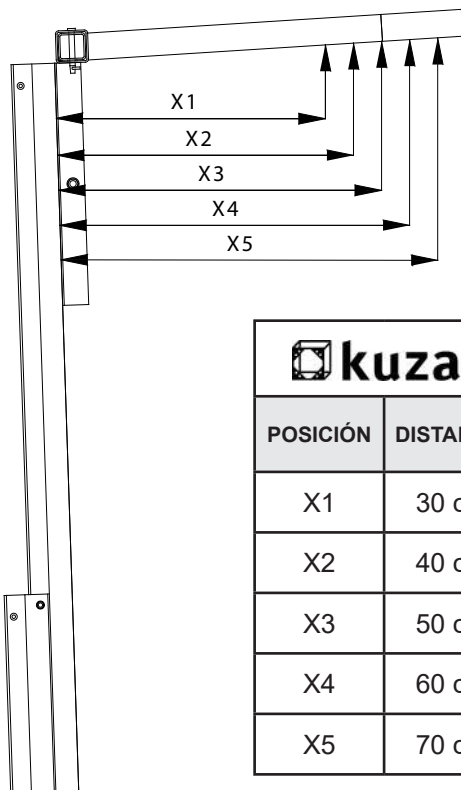
4.5.2 - Cambie el gatillo **KAT 1** a posición de ELEVACIÓN.

4.5.3 - Gire la manivela del cabrestante en sentido horario para elevar el carro.

4.5.4 - Al llegar a la posición deseada, ENCLAVE .

el gatillo girando la manivela del cabrestante en sentido anti-horario. Cambie el gatillo **KAT 1** a posición de BLOQUEO y com pruebe que se introduce.

4.5.5 - Cambie el gatillo **KAT 2** a posición de ELEVACIÓN.



 kuzar		K-57	
POSICIÓN	DISTANCIA	CARGA DINÁMICA	CARGA ESTRUCTURAL
X1	30 cm	500 kg	1200 kg
X2	40 cm	475 kg	900 kg
X3	50 cm	445 kg	600 kg
X4	60 cm	350 kg	400 kg
X5	70 cm	275 kg	275 kg

Manual de instrucciones - ESPAÑOL

4.5.6 - Gire la manivela del cabrestante en sentido horario para elevar el siguiente tramo.

4.5.7 - Al llegar a la posición deseada, ENCLAVE el gatillo girando la manivela del cabrestante en sentido anti-horario. Cambie el gatillo **KAT 2** a posición de BLOQUEO y compruebe que se introduce.

4.5.8 - Repita estas operaciones para elevar todos los tramos, cambiando ordenadamente los gatillos **KAT 3**, **KAT 4** y **KAT 5** a posición de ELEVACIÓN y girando la manivela del cabrestante.

ATENCIÓN: *La torre puede dejarse en cualquier posición intermedia si se requiere. Asegurese siempre de que los gatillos se introduzcan. Ya que en el caso poco probable de que el cable de acero se rompa los gatillos **KAT** sujetarían la carga y mantenerdría la torre **ELEVADA** y **SEGURA**. Su seguridad es nuestra máxima preocupación.*

4.6 - Descenso:

4.6.1 - Coloque frente al cabrestante, y gire la manivela del cabrestante en sentido horario para tensar el cable.

4.6.2 - Con el cable tensado, extraiga el gatillo **KAT 5** con su mano izquierda, mantenga el gatillo en posición de ELEVACIÓN pero extraído.

4.6.3 - Mientras mantiene el gatillo extraído, gire la manivela del cabrestante en sentido anti-horario para proceder al descenso de la torre.

4.6.4 - Una vez haya descendido el tramo correspondiente, suelte el gatillo **KAT 5**, y extraiga esta vez el gatillo **KAT 4**.

4.6.5 - Con el siguiente gatillo **KAT 4** extraído, gire la manivela del cabrestante en sentido anti-horario para descender el siguiente tramo.

4.6.6 - Repita estos pasos extrayendo los gatillos **KAT 1**, **KAT 2** y **KAT 3** mientras gira la manivela en sentido anti-horario.

4.6.7 - Al terminar el descenso de la torre, coloque todos los gatillos **KAT** en posición de BLOQUEO.

4.7 - Transporte:

Gire la manivela de los estabilizadores para aliviar la presión y extraiga las patas de sus alojamientos de trabajo para colocarlas en sus soportes para transporte localizados en la base de la torre. Extraiga los brazos de carga de la torre y coloquelos en sentido vertical para transporte.

Manual de instrucciones - ESPAÑOL

5 - ELEVAR LA CARGA EN MODO ESTRUCTURAL.

Este modo requiere la elevación de la carga con la ayuda de un polipasto manual o eléctrico. La torre se utiliza como una estructura que queda totalmente bloqueada a la altura de trabajo deseada y se eleva la carga con el polipasto.

La torre dispone de la opción de cambiar de posición el carro. Por lo que, dependiendo del uso, se puede elevar la carga desde diferentes alturas.

5.1 - Colocar las barras de refuerzo y fijarlas con sus pasadores a las patas delanteras. Colocar la torre en su posición de trabajo y nivelar hasta que el nivel de burbuja quede centrado. Las ruedas no deben tocar el suelo.

5.2 - Calcular la carga a elevar con la torre. Para saber cuál es la mayor carga coger la posición más alejada de la base del cuerno.

5.3 - Se coloca el accesorio en la posición adecuada. Se procede a unir el equipo con el truss o elemento a elevar con el polipasto ya unido. Desbloquear el sistema de seguridad del último perfil. Accionar la manivela del cabrestante para elevar la carga. Cuando el tramo llegue a su final de carrera, bloquear con el sistema de seguridad y desbloquear el siguiente sistema de seguridad para elevar el siguiente perfil. Realizar la misma operación hasta llegar a la altura requerida. Todos los sistemas de seguridad deberán estar en su posición de bloqueo. Destensar el cable del cabrestante para que el sistema asiente.

¡Atención! La velocidad de subida y bajada debe ser similar. Si la estructura sube o baja más rápido de un extremo se puede producir una desestabilización de toda la instalación y ocasionar un grave accidente.

5.4 - La torre posee argollas en los diferentes perfiles que permiten enganchar vientos en función de la altura de trabajo escogida.

5.5 - Para descender la torre: Tensar el cable y desbloquear el primer sistema de seguridad. Girar el cabrestante a la vez que se mantiene con la otra mano el desbloqueo del sistema de seguridad. Si no se acciona con una mano el sistema de seguridad, la torre bajará hasta quedar bloqueada. Una vez descendida la carga, bloquear todos los tramos y seguir los pasos inversamente a la subida.

Manual de instrucciones - ESPAÑOL

¡Atención! Si la torre se intenta bajar con el cable sin tensión y se acciona alguno de los sistemas de seguridad, se producirá una situación de peligro debido a que la carga descenderá de forma muy brusca, pudiendo desestabilizar toda la instalación, incurriendo en un grave accidente.

6 - MANTENIMIENTO.

6.1 - Todos los cables deben ser revisados regularmente. Los cables defectuosos deben sustituirse inmediatamente. No utilice el elevador con cables en mal estado, ya que es potencialmente muy peligroso. Utilice únicamente cables DIN 3060, suministrados por un distribuidor autorizado.

No utilice el elevador con cables en mal estado, ya que es potencialmente muy peligroso. Utilice únicamente cables DIN 3060, suministrados por un distribuidor autorizado.

6.2 - La torre se entrega completamente engrasada de fábrica. Dependiendo de su uso mecánico, se recomienda que las coronas dentadas del cabrestante y del eje de transmisión y los perfiles de elevación sean periódicamente engrasados.

ATENCIÓN:

No engrasar ni lubricar el mecanismo de freno situado en el interior de la tapa plástica. Los discos de freno, han sido previamente engrasados con una grasa especial resistente a la presión y el calentamiento. Para evitar el mal funcionamiento del freno del cabrestante, no deben ser utilizados otros productos distintos a los originales suministrado por la empresa. No es necesario engrasar los discos de freno.

6.3 - Su torre elevadora debe ser inspeccionada al menos una vez al año por un centro de servicio especializado / autorizado.

6.4 - Deben utilizarse sólo piezas originales de repuesto Kuzar para garantizar la fiabilidad y seguridad de funcionamiento de la torre. El usuario perderá todos los derechos de garantía si se utiliza otras piezas de repuesto que las originales o modifique este producto de alguna manera.

6.5 - En caso de requerir una pieza de recambio es necesario indicar el número de re-

Manual de instrucciones - ESPAÑOL

ferencia que se puede encontrar en la Lista de Repuestos de la parte posterior de este manual.

7 - GARANTÍA.

Todas las torres Kuzar vienen con 2 años de garantía. Este período de garantía se inicia desde la fecha de compra. Kuzar reparará cualquier defecto del producto, ya sea causado por defectos de materiales o mano de obra defectuosa de forma gratuita dentro de este plazo, siempre y cuando las partes están relacionadas a través de un distribuidor autorizado Kuzar. Si el producto hubiera sido manipulado de algún modo o sufriera un intento de reparación por un distribuidor no autorizado, la garantía no será válida. Esta garantía no cubre el daño producido por un uso inadecuado.

8 - CERTIFICACIONES.

Kuzar se reserva el derecho de realizar cualquier modificación / alteración de la torre sin previo aviso. Cualquier modificación / alteración sería una innovación, destinada a mejorar el producto.

Bedienungsanleitung – DEUTSCH

1. EINFÜHRUNG

Sehr geehrter Kunde,

die vorliegende Betriebsanleitung wurde mit dem Zweck erstellt, eine zuverlässige Bedienung des Kuzar K-57 Lifts zu ermöglichen. Lesen Sie bitte die Betriebsanleitung vor Inbetriebnahme sorgfältig durch. Bitte beachten Sie auch die technischen Daten.

Unsere Produkte unterliegen strengsten Prüfungen und Kontrollen bei der Fertigung. Es sind ausschließlich Original-Ersatzteile zu verwenden. Für den Anwender werden alle Gewährleistungsansprüche aufgehoben, wenn er Nicht-Original-Ersatzteile verwendet bzw. Änderungen am Produkt selbst vornimmt.

2. TECHNISCHE DATEN

2.1. Zulässige Hubkraft dynamischer Modus: 500 kg (1102 lb) / Struktureller Modus: 1200kg (2646 lb)

2.2. Mindesthublast: 25 kg (55 lb)

2.3. Zulässige Hubhöhe: 7 m (23')

2.4. Mindesthubhöhe: 1.90 m (6.23')

2.5. Arbeitsfläche: 2.34 x 2.25 m (7.7' x 7.4')

2.6. Zusammengelegte Grundfläche: 55 cm x 79 cm (1.8' x 2.59')

2.7. Gewicht: 1223 kg (492 lb)

2.8. Winde: 1200 kg (zertifiziert)

2.9. Kabel: aus Stahl nach DIN 3060. Zugfestigkeit 180 kg/mm².
Anti-Torsion und Korrosionsschutz.

2.10. Kabeldurchmesser: Ø6 mm

2.11. Werkstoff: Aluminium 6082T6 Profil

2.12. Ausleger mit rutschfesten Gummifüßen aus synthetischem Kautschuk.

2.13. Auf jedem Abschnitt befindet sich ein automatischer Kuzar Auslöser (KAT), welches sich während einer Erhöhung automatisch wieder einschiebt und die Stelle sperrt.



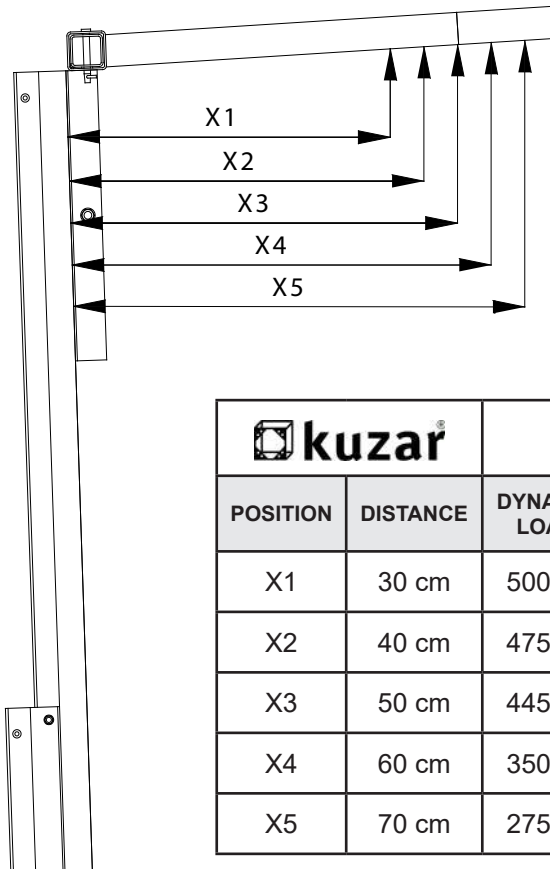
Bedienungsanleitung – DEUTSCH

- 2.14. Stützsystem mittels der Sicherheitsbolzen.
- 2.15. Einstellbare Platten in den Beinen zur Stabilisationsfunktion mit rutschfestem Gummi.
- 2.16. Wasserwaage zur vertikalen Ausrichtung.
- 2.17. Vorhandene Schwenkräder um den Lift in die gewünschte Arbeitsposition zu bringen.

3. SICHERHEITSMABNAHMEN

- 3.1. Den Hebeturm nur auf harten und ebenen Flächen aufstellen.
- 3.2. Prüfen Sie, dass das Stützsystem mittels der Sicherheitsbolzen befestigt ist.
- 3.3. Prüfen Sie, ob der Lift senkrecht steht. Prüfen Sie ggf. mit der Wasserwaage, die sich auf dem Grundprofil befindet. Wenn nötig, stellen Sie die Ausrichtung mit den Platten durch Drehen des Griffs in die entsprechende Richtung.
- 3.4. Prüfen Sie bitte, ob der Turm in seine Arbeitsstellung mittels Sicherheitsbolzen fixiert ist.
- 3.5. Bei Freiluftanwendungen, den Turm auf festem Boden stellen und mittels Seilanker gegen die Windbelastung schützen.
- 3.6. Keine Leiter auf dem Turm verwenden bzw. auf dieser anlehnen.
- 3.7. Achten Sie auf herausragende Teile (Seile, Drähte, Deckenvorsprünge usw.) oberhalb des Turmes.
- 3.8. Niemand soll sich unter dem Turm aufhalten.
- 3.9. Den Turm nicht bewegen, wenn dieser unter Last und ausgefahren ist.
- 3.10. Vor der Verwendung des Turms den Seilzustand kontrollieren. Das Seil darf keine Drahtbrüche bzw. Quetschstellen aufweisen. Unter keinen Umständen Seile im schlechten Zustand verwenden.
- 3.11. Niemals die Windekurbel unter Last stehendem und ausgefahrenem Turm abbauen.
- 3.12. Sobald der Turm in seiner Arbeitsposition aufgestellt wurde, empfehlen wir die Windekurbel zu sperren, um Störungen zu vermeiden.
- 3.13. Die Mindestlast für eine reibungslose Funktion der Bremse beträgt 25 Kg. Die Bremse wird bei Nichteinhaltung der Mindestlast nicht funktionieren.

Bedienungsanleitung – DEUTSCH



3.14. Bitte nicht den Bremsmechanismus der Winde fetten oder schmieren.

3.15. Dieser Lift kann keine Menschen heben.

3.16. Für den Transport sind alle Abschnitte herunterzufahren und mit dem entsprechenden Sicherheitsbolzen zu fixieren.

4. BEDIENUNG (DYNAMISCHER MODUS)

4.1. Den Hebeturm auf eine ebene und feste Fläche an der Arbeitsstelle aufstellen.

4.2. Entfernen Sie die Beine aus ihren Transportstützen und bringen Sie sie in ihre Arbeitsposition. Prüfen Sie, dass sie ganz eingesetzt und mit dem jeweiligen Sicherheitsverschluss fixiert sind.

Bedienungsanleitung – DEUTSCH

4.3. Stellen Sie sicher, dass der Lift in einer vertikalen Position ist und benutzen Sie die Wasserwaage zur Überwachung der vertikalen Ausrichtung. Diese befindet sich an dem Grundprofil. Wenn nötig, stellen Sie die Ausrichtung mit den Stützplatten durch Drehen des Griffs in die entsprechende Richtung.

4.4. Ändern Sie die Gabeln in ihre horizontale Arbeitsposition und fixieren sie sie mit den Befestigungsstiften und platzieren Sie die Ladung auf den Gabeln (falls notwendig, benutzen Sie Kuzar Zubehör). Stellen Sie sicher, dass der Lift nur zur vertikalen Erhöhung von Lasten dient. Die Mindestlast muss 25 Kg betragen.

Niemals die Turmabschnitte ohne Last erhöhen.

4.5. Heben.

4.5.1. Stellen Sie sicher, dass alle KAT Verschlüsse im blockierten Zustand sind.

4.5.2. Ändern Sie den Nr. 1 KAT Verschluss in die Lift Position.

4.5.3. Drehen Sie den Griff im Uhrzeigersinn, um den Hubwagen Auf den Turm zu erhöhen.

4.5.4. Wenn Sie die gewünschte Höhe erreicht haben, fixieren Sie den Nr. 1 KAT Verschluss durch Drehen des Griffes Gegen den Uhrzeigersinn. Achten Sie darauf, dass der Nr. 1 KAT Verschluss in das entsprechende Loch eingeführt ist.

4.5.5. Ändern Sie den Nr. 2 KAT Verschluss in die Lift Position.

4.5.6. Drehen Sie den Griff im Uhrzeigersinn, um den nächsten Abschnitt des Turmes aufzusteigen.

4.5.7. Wenn Sie die gewünschte Höhe erreicht haben, fixieren Sie den Nr. 1 KAT Verschluss durch Drehen des Griffes Gegen den Uhrzeigersinn. Achten Sie darauf, dass der Nr. 1 KAT Verschluss in das entsprechende Loch eingeführt ist.

4.5.8. Wiederholen Sie diese Schritte um alle Abschnitte des Lifts zu erhöhen, indem Sie alle KAT Verschlüsse in die richtige Position durch Drehen in den Uhrzeigersinn bringen.

WARNUNG: Wenn nötig kann der Turm in jeder Zwischenhöhe überlassen werden. Stellen Sie nur sicher, dass die KAT Verschlüsse immer in die vorgesehen Löcher eingerastet sind. In dem unwahrscheinlichen Fall von Kabelbruch, wird der automatische Kuzar Auslöser (KAT) sicherstellen, dass der Turm oben und sicher bleibt. Ihre Sicherheit ist unser Hauptanliegen.

Bedienungsanleitung – DEUTSCH

4.6. Abstieg

4.6.1. Um den Turm herunter zu klappen, müssen Sie zuerst den Griff der Winde im Uhrzeigersinn drehen um den Stahlkabel ziehen zu können

4.6.2. Sobald das Kabel angespannt ist, ziehen Sie den Nr. 5 KAT Verschluss.

4.6.3. Während Sie den KAT Verschluss halten, drehen Sie den Griff gegen den Uhrzeigersinn, um den entsprechenden Abschnitt des Turmes absteigen zu lassen.

4.6.4. Sobald der Abschnitt heruntergefahren wurde, lösen Sie den Nr. 5 KAT Verschluss und ziehen Sie den Nr. 4 KAT Verschluss.

4.6.5. Während Sie den nächsten KAT Verschluss halten, drehen Sie den Griff gegen den Uhrzeigersinn um den nächsten Abschnitt absteigen zu lassen.

4.6.6. Wiederholen Sie diese Schritte, indem Sie alle KAT Verschlüsse ausziehen während Sie Den Griff gegen den Uhrzeigersinn drehen.

4.6.7. Sobald der Turm abgestiegen ist, legen Sie alle KAT Verschlüsse in eine blockende Position.

4.7. Transport:

Drehen Sie den Griff von den Stabilisatoren um die Spannung der Beine aufzulösen und ziehen sie diese heraus. Dann legen Sie die Beine in die vorgesehenen Transportfächer, die sich am Lift befinden. Abschließend ziehen Sie die Gabeln und legen Sie in vertikale Position. Der Turm wird dann für den Transport bereit sein.

5 - LADEN DER LAST IM TOWER-MODUS

Im Tower-Modus muss die Last mithilfe eines manuellen oder elektrischen Hebezuges angehoben werden.

Der Lift wird in der gewünschten Arbeitshöhe vollständig verriegelt und die Last wird mit dem Hebezug angehoben.

Die Last kann je nach Verwendung aus unterschiedlichen Höhen angehoben werden.

5.1. Setzen Sie die Füße ein und verriegeln Sie diese mit den Sicherungsbolzen an den Vorderbeinen. Stellen Sie den Lift waagrecht in seiner Arbeitsposition hin, bis die Wasserwaage zentriert ist.

Die Räder dürfen hierbei den Boden nicht berühren.

5.2. Berechnen Sie die Last, die mit dem Lift angehoben werden soll um herauszufinden, welche die größte tragbare Last ist, nehmen Sie die Position ein, die an der Gabel mit der Lasttabelle angegeben ist.

Bedienungsanleitung – DEUTSCH

5.3. Das Zubehör wird in die entsprechende Position gebracht. Das Equipment wird mit der Truss oder den Elementen verbunden, das mit dem bereits angebrachten Hebezug angehoben werden soll. Entriegeln Sie nun das Sicherheitssystem des letzten Profis. Betätigen Sie den Windengriff, um die Last anzuheben. Wenn der Abschnitt seine gewünschte Höhe erreicht hat, verriegeln Sie ihn. Nun blockieren Sie ihn mit dem Sicherheitssystem um das das nächste Profile freizugeben. Führen Sie den gleichen Vorgang durch, bis die erforderliche Höhe erreicht ist. Alle Sicherheitssystem müssen sich in ihrer verriegelten Position befinden. Lösen Sie das Windenseil, damit die Last verriegelt ist und nicht im Seil hängt.

Bitte Beachten

Das heben und senken sollte ähnlich sein von der Geschwindigkeit. Wenn das Equipment schneller als normal steigt oder fällt, kann dies

zu einer Destabilisierung der gesamten Anlage und und zu schweren Unfällen kommen.

5.4. Der Lift hat in jedem Profile Flugösen, mit denen haken entsprechend der gewählten Arbeitshöhe angebracht werden können.

5.5. Senken Sie den Turm ab: Ziehen Sie das Kabel fest und entsperren Sie das erste Sicherheitssystem. Drehen Sie die Winde während Sie mit der anderen Hand die Entriegelung des Sicherheitssystems festhalten. Wenn das Sicherheitssystem nicht mit einer Hand bedient wird, senkt sich der Lift, bis zur nächsten Verriegelung. Sobald die Last abgesenkt ist, blockieren Sie alle Profile und befolgen Sie die Schritte in umgekehrter Reihenfolge zum Anheben.

Bitte Beachten !

Wenn versucht wird, der Lift ohne Spannung mit lockeren Kabel abzusinken und eines der Sicherheitssysteme aktiviert wird, tritt eine gefährliche Situation auf, da die Last sehr abrupt abfällt und möglicherweise das gesamte Equipment zerstört wird. Dies kann folglich zu einen schweren Unfall führen.

6. WARTUNG

6.1. Alle Kabel müssen regelmäßig geprüft werden. Fehlerhafte Kabel müssen sofort ausgetauscht werden. Verwenden Sie den Lift nicht mit fehlerhaften Kabeln, es könnte sehr gefährlich sein. Verwenden Sie nur DIN 3060 Kabel, die von einem autorisierten Fachhändler erwirtschaftet wurden.

6.2. Der Lift wird ab Werk vollständig geschmiert ausgeliefert. Je nach seiner mechanischen Nutzung empfehlen wir, dass das Kronrad der Winde, die Pads und die Buchsen der Antriebswelle, sowie der Griff und die Gewindeprofile des Lifts regelmäßig gefettet werden.

Bedienungsanleitung – DEUTSCH

ACHTUNG:

Kein Öl oder Fett auf dem Bremsmechanismus schmieren. Die Brems Scheiben wurden mit einem speziellen Fett vorgeschmiert. Um Fehlfunktionen bei der Windenbremse zu vermeiden, dürfen keine anderen als die von dem Unternehmen zur Verfügung gestellten Produkte verwendet werden. Es ist nicht notwendig die Brems Scheibe zu schmieren.

6.3. Der Hebeturm sollte von einer Fachkraft mindestens einmal jährlich geprüft werden.

6.4. Für eine kontinuierliche Betriebssicherheit sind ausschließlich Original-Ersatzteile zu verwenden. Alle Gewährleistungsansprüche sind für den Anwender aufgehoben, wenn er Nicht-Original-Ersatzteile verwendet bzw. Änderungen am Produkt selbst vornimmt.

6.5. Für die Bestellung von Ersatzteilen ist stets dessen Bestellnummer anzugeben, welche den Stücklisten dieser Anleitung zu entnehmen ist.

7. GARANTIE

Alle Kuzar Hebetürme haben eine Garantie von 2 Jahren. Die Garantieansprüche beginnen mit dem Kaufdatum. Kuzar wird in dieser Garantiezeit jedes defekte Produkt kostenlos reparieren, wenn es durch fehlerhaftes Material oder durch schlechte Verarbeitung verursacht wurde, solange die Teile von einem Fachhändler eingebaut wurden. Sollte das Produkt in irgendeiner Weise manipuliert oder eine Reparatur durch einem nicht autorisierten Händler versucht worden sein, werden Garantieansprüche ungültig. Die Garantie gilt auch nicht für Schäden durch unsachgemäßen Gebrauch.

8. ZERTIFIKATE

Kuzar behält sich das Recht vor, jede Änderung des Hebeturms ohne vorherige Ankündigung vorzunehmen. Jede Änderung wäre eine Innovation, die dazu führt, das Produkt zu verbessern.

Test report about an acceptance inspection

Device typ:	Towerlift
Typ:	K-57
Fabrikator:	Kuzar Systems S. L. C/Ciudad de Ferrol N° 8 Pol Ind Fuente del Jarro E-46988, Paterna - Valencia
Technical specifications:	charge maximum dynamic: 500kg static locked: 1200kg tare: 25kg minimum high: 1,90 m maximum high: 7,00 m Surface base : 2,34 x 2,25m Construction year: 2020 Serial number: 006880
Foundation :	DGUV regulation 17, DGUV principle 315 - 390
Test result:	There are no safety-related objections to the use of the towerlift.
Clue:	An EG-declaration of conformity must be included with each towerlift. Bevor the towerlift is commissioning at first is an inspection from an assessor after DGUV principle 315 – 390.

Berlin, 19.03.2021

Dipl.-Ing. Konrad Haak



DECLARATION OF CONFORMITY

Kuzar Systems SL declares that the described towerlift meets all the requirements specified in the Directive **2006/42/EC** of the European Parliament and the Council of 17 May 2006 on machinery.

MANUFACTURER:	KUZAR SYSTEMS SL
DESCRIPTION:	Towerlift with 5 aluminium profiles
MODEL:	K-57
MIN. HEIGHT:	1.9m
MAX. HEIGHT:	7m
MAX. LOAD:	Dynamic 500kg / Structural 1200kg
UNIT WEIGHT:	223kg

Kuzar Systems, S.L.
Ciudad de Ferrol, 8
P. I. Fuente del Jarro
46988 PATERNA
Valencia · Spain

Paterna, February 2020



Pedro Zarco Peña



KUZAR SYSTEMS S.L.

www.kuzar.es

C/ Ciudad de Ferrol nº 8
Pol. Ind. Fuente del Jarro
46988 Paterna - Valencia (Spain)
Tel. +34 96 378 10 04
info@kuzar.es