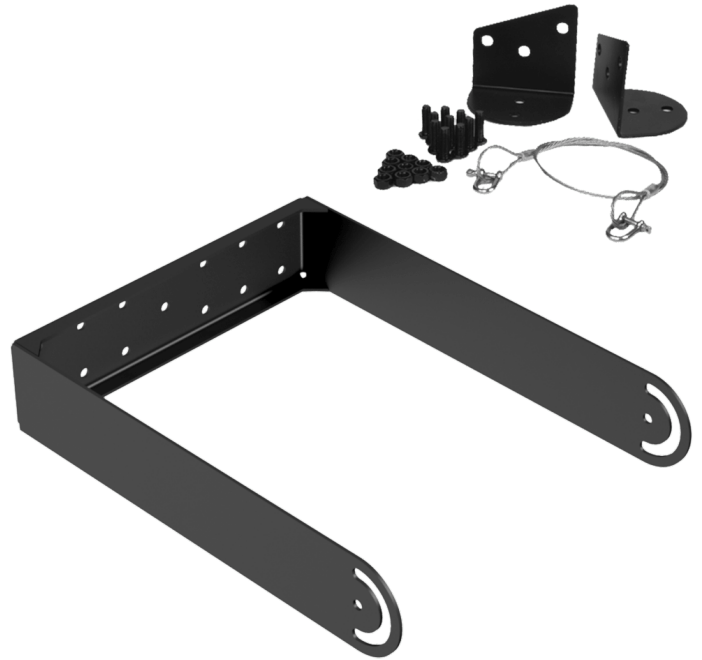


MBK212MK2

Mounting bracket for HS212MK2 and HS212TMK2

Product information:

The MBK212MK2 mounting brackets are specially designed for mounting the HS212MK2 and HS212TMK2 2-way horn speakers. Using these mounting brackets, these horn speakers can be mounted on any ceiling, pole or other position, while aiming the loudspeakers into the desired direction. They are constructed of steel with a thickness of 4 mm containing a zinc-plated finish preventing oxidation, while the U-shaped profile of the base increases the stability of the speakers. The bracket comes with the necessary parts, such as bolts, nuts, washers and speaker attachments ensuring safe and secure mounting.

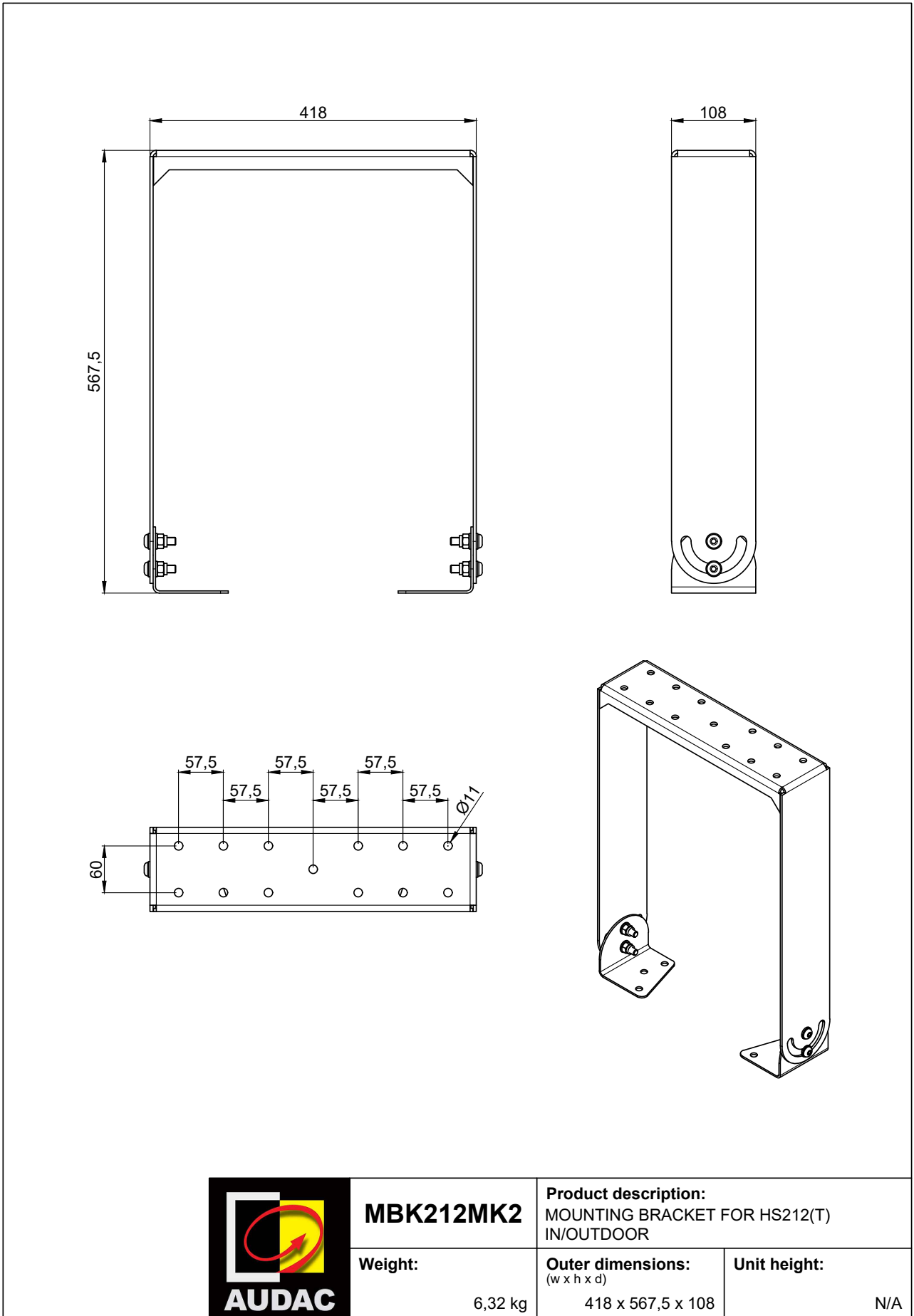


Product Features:

Dimensions	418 x 567.5 x 108 mm (W x H x D)	
Weight	6.32 kg	
Construction	Zinc plated steel 4 mm	
Finish	Structured powder coating	
Colours	Black (RAL9005) (MBK212MK2)	
Accessories	Included	bolts, nuts, washers, speakerplates, safety cable

Variants:

- MBK212MK2/B - Black version



MBK212MK2

Product description:
MOUNTING BRACKET FOR HS212(T)
IN/OUTDOOR

Weight:
6,32 kg

Outer dimensions:
(w x h x d)
418 x 567,5 x 108

Unit height:
N/A