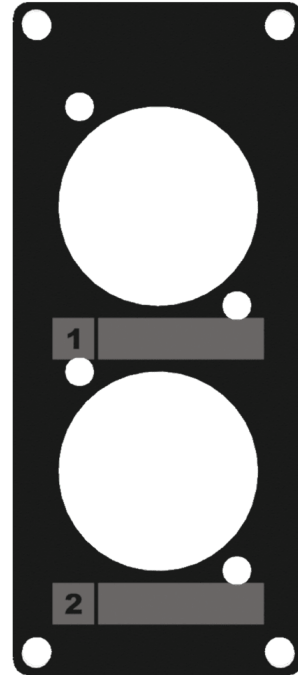


Highlights:

- 1.5 mm thick cold rolled steel frame
- Structured and scratch resistant black powder coating
- Assembly screws included
- Compatible with any CASY chassis
- Flexible system for system integration & connectivity

The CASY105 module features two holes to fit a d-size connector. This flexible structure for system integration & connectivity can easily be implemented in a wide variety of CASY chassis.

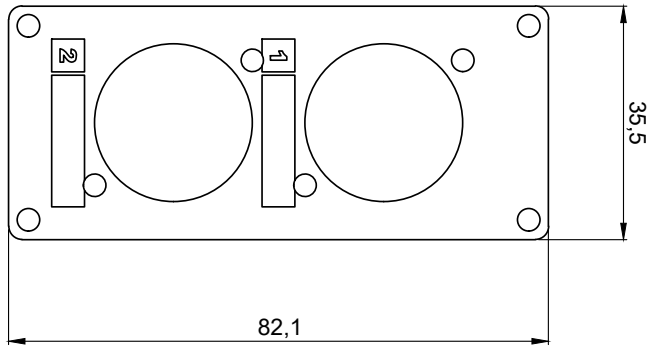



Product Features:

Dimensions	35.5 x 82.1 mm (W x H)	
Weight	0.021 kg	
Cut-out measurement	2 x D-size hole	
Module	Space	1

Variants:

- CASY105/B - Black version



	CASY105	Product description: CASY 1 SPACE COVER PLATE - 2 X D-SIZE HOLES	Unit height: 2 HE
	Weight: 21 g		