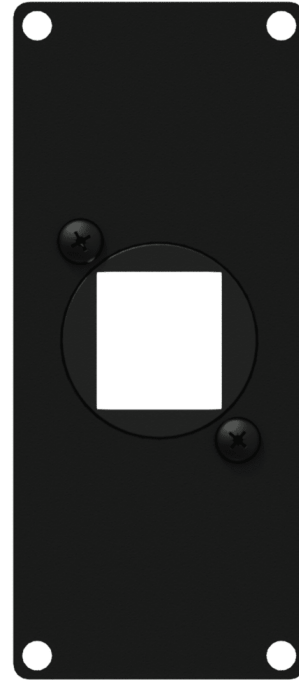


Highlights:

- 1.5 mm thick cold rolled steel frame
- Structured and scratch resistant black powder coating
- Assembly screws included
- Compatible with any CASY chassis
- Flexible system for system integration & connectivity

The CASY106 module features one cut-out to fit any of the PROCAB Keystone™ adapters. This flexible structure for system integration & connectivity can easily be implemented in a wide variety of CASY chassis.

*Not compatible with PROCAB VCK450, VCK526 & VCK526A.


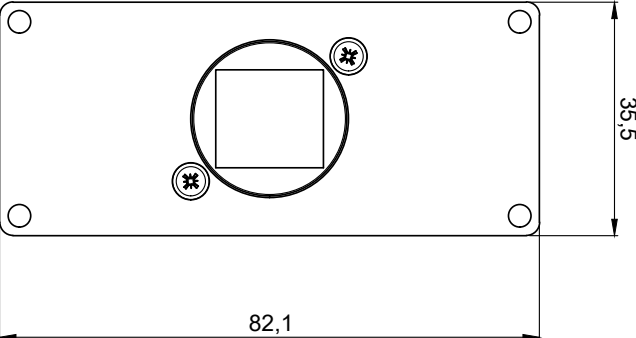


Product Features:

| | | |
|---------------------|-------------------------------------|---|
| Dimensions | 35.5 x 82.1 mm (W x H) | |
| Cut-out measurement | 1 x Keystone adapter (PROCAB VDK10) | |
| Module | Space | 1 |
| Weight | 0.04 kg | |

Variants:

- CASY106/B - Black version

| | | | | | |
|---|------------------|-----------------------------|--|---|---|
|  | <h1>CASY106</h1> | | | Weight: TBA | Product description: CASY 1 SPACE COVER PLATE - 1 X KEYSTONE ADAPTER |
| Outer dimensions: (w x h x d) 35,5 x 82,1 x 12,9 | | Unit height: 2 HE | |  | |