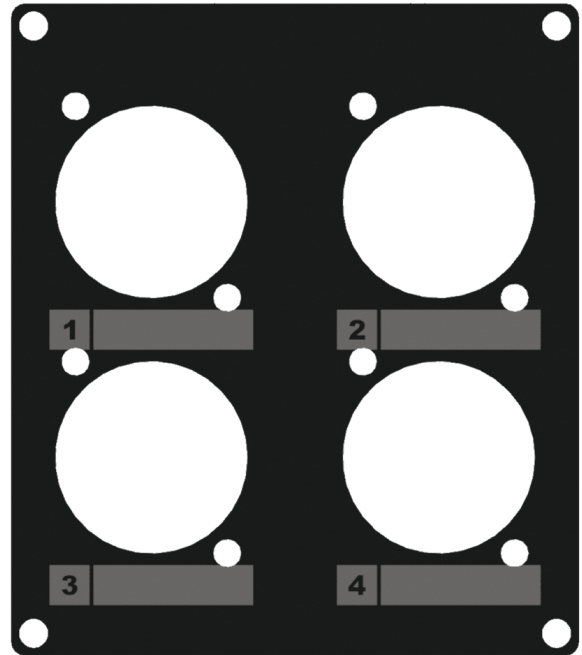


### Highlights:

- 1.5 mm thick cold rolled steel frame
- Structured and scratch resistant black powder coating
- Assembly screws included
- Compatible with any CASY chassis
- Flexible system for system integration & connectivity

The CASY203 module features four holes to fit a d-size connector. This flexible structure for system integration & connectivity can easily be implemented in a wide variety of CASY chassis.

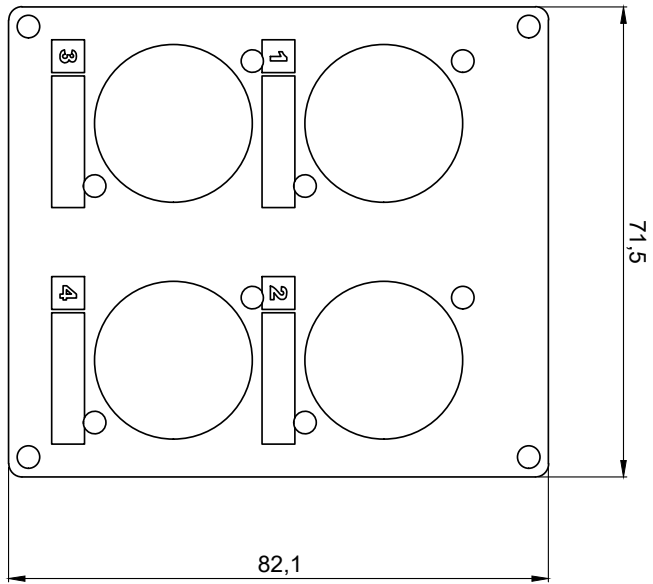



### Product Features:

Dimensions	71.5 x 82.1 mm (W x H)	
Weight	0.044 kg	
Cut-out measurement	4 x D-size hole	
Module	Space	2

### Variants:

- CASY203/B - Black version



	<b>CASY203</b>	<b>Product description:</b> CASY 2 SPACE COVER PLATE - 4 X D-SIZE HOLES
	<b>Weight:</b> 44 g	<b>Outer dimensions:</b> (w x h x d) 71,5 x 82,1 x 1,5