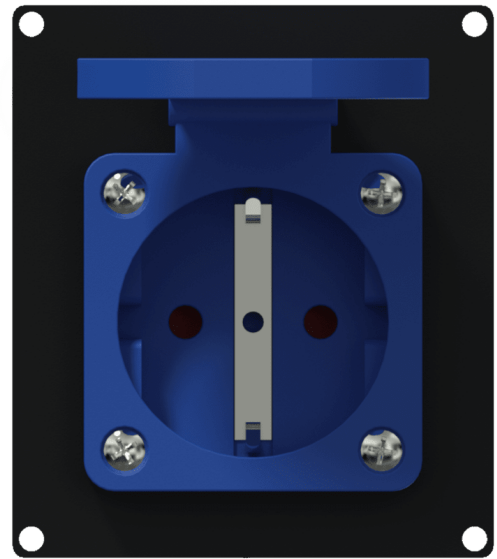


Highlights:

- 1.5 mm thick cold rolled steel frame
- Structured and scratch resistant black powder coating
- Compatible with any CASY chassis
- Solderless connections
- Flexible system for system integration & connectivity

The CASY285G is fitted with a type F German power socket (IP44) on the front side, that leads to a pigtail GST18 male connector on the back. This flexible structure for system integration & connectivity can easily be implemented in a wide variety of CASY chassis.

Please look for your local regulation to know which type of connector is allowed in your territory.

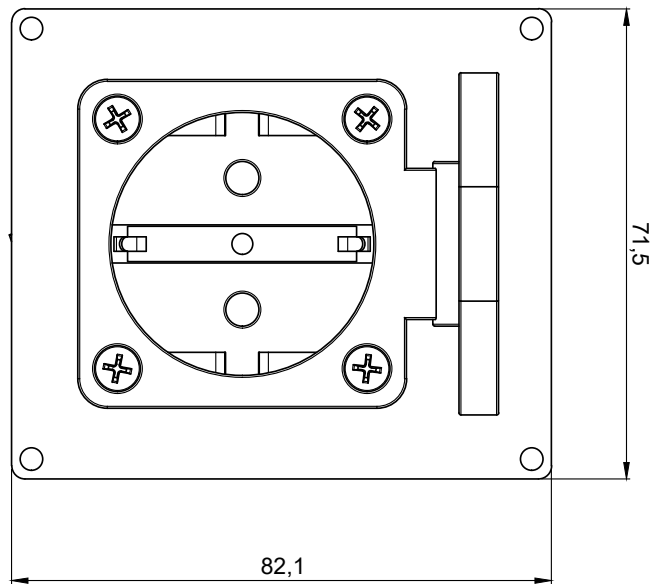



Product Features:

Dimensions	71.5 x 82.1 mm (W x H)	
Weight	0.124 kg	
Connection	German socket (IP44) Female type F (CEE 7/4) to GST18 male	
Module	Space	2

Variants:

- CASY285G/B - Black version



	CASY285G	Product description: CASY 2 SPACE WITH GERMAN SCHUKO OUTLET IP44
Weight: 124 g	Outer dimensions: (w x h x d) 71,5 x 82,1 x 39	Unit height: 2 HE