

FEATURES

- Two 15" Neodymium LF drivers
- Extended bass response down to 30 Hz
- Capable of delivering up to 140 dB SPL
- Pole cup accessory for sub/satellite configurations
- Optional Tower Rigging System for column arrays
- Detachable casters

APPLICATIONS

- Live Events
- Installations
- Outdoor Systems
- Dance Venues
- Houses of Worship
- Theaters

DESCRIPTION

The SUB215 is a fast-responding, deep bass subwoofer capable of producing a maximum SPL of 140 dB. This cabinet is equipped with (2) 15" low frequency drivers with the latest tetracoil technology. This subwoofer is deep but also delivers clear and punchy upper bass. The SUB215 cabinet is only 17.7" (450 mm) wide when deployed vertically or 17.7" tall when deployed horizontally.

SUB215 can be equipped with the pole cup accessory which allows you to deploy a CT28 full-range enclosure atop it using a 1 SOUND Active Speaker Tube, or to mount any other satellite speaker on top. This subwoofer is also equipped with rigging points in order to attach our proprietary Tower Rigging System, allowing the Tower LCC44 or LCC84 to be coupled atop it with variable splay angles.

SPECIFICATIONS

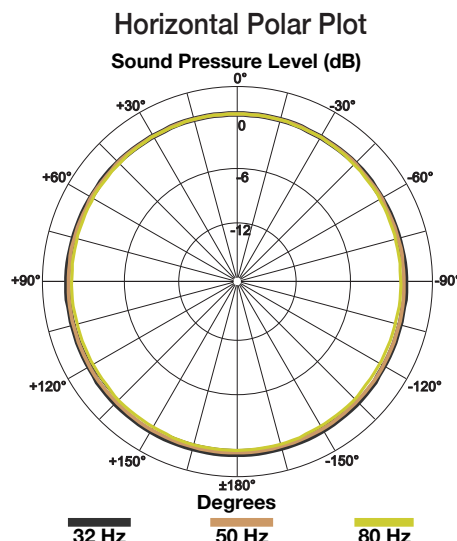
Audio Specifications

- Description:** Passive subwoofer, fast-responding, powerful, and loud
- Bandwidth:** 30 Hz - 120 Hz (-6 dB preset dependent)
- Max SPL:** 140 dB SPL @ 1 m with preset
- Power:** 3600 W (program) / 1800 W (AES)
- Directivity:** Omnidirectional
- Elements:** (2) 15" low frequency tetracoil drivers
- Impedance:** 4 Ω
- Connectors:** (2) NL4, (1) Neutrik NDL dummyPLUG

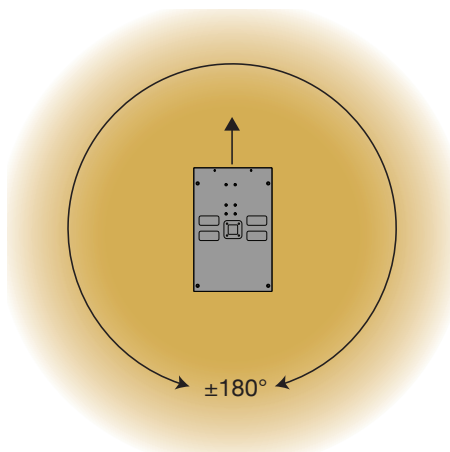
Mechanical Specifications

- IP Rating:** IP55 indoor/outdoor and salt water resistant
- Rigging:** (20) points M8
- Weight:** 133.8 lbs / 60.7 kg
- Construction:** Finland birch plywood (urea glue), matte salt and UV resistant coating, 316 stainless steel hardware, 3D spacer mesh fabric
- Dimensions:** 37.4" (950 mm) x 17.7" (450 mm) x 26.7" (680 mm)
- Colors:** Stocking black and white, custom colors and fabrics available
- Accessories:** Sub Pole Cup, Active Speaker Tubes, Tower Rigging System, Removable Caster Wheels Set, removable rubber feet [included]

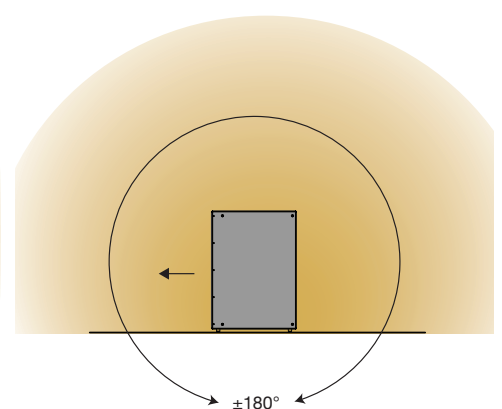
DIRECTIVITY



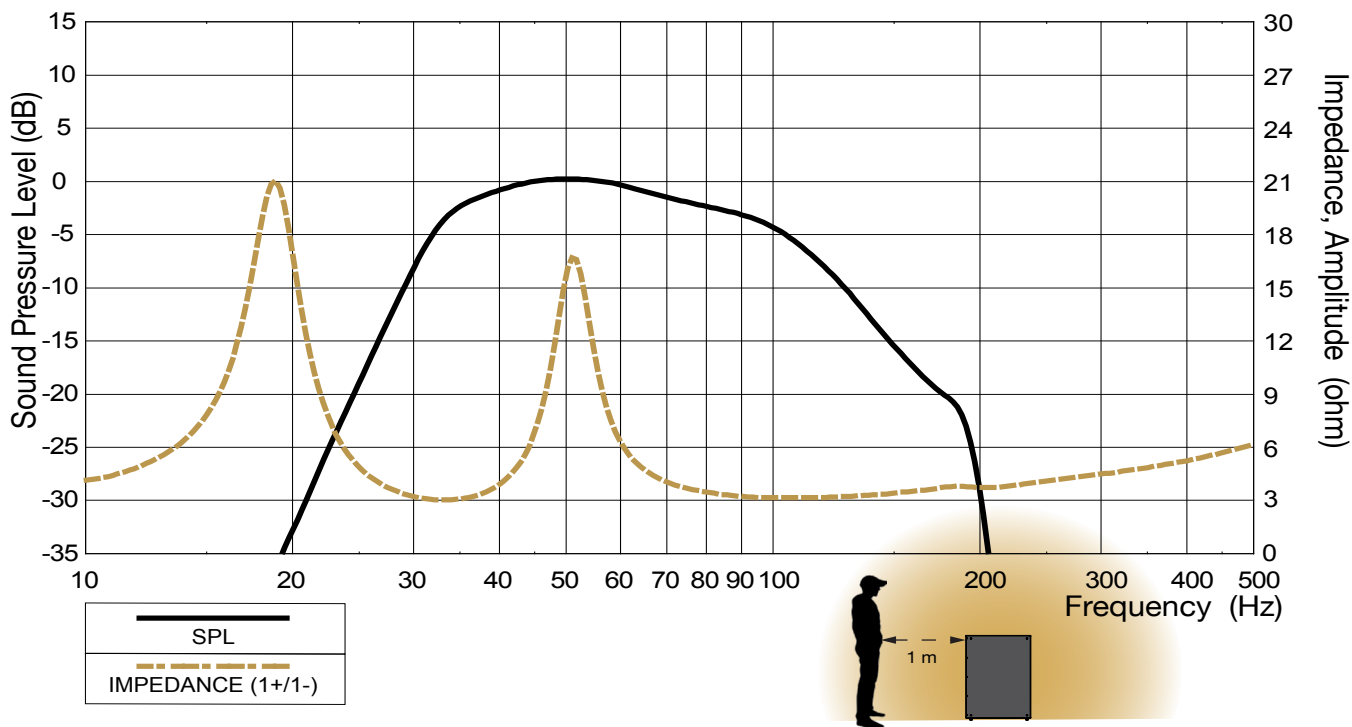
Horizontal Coverage



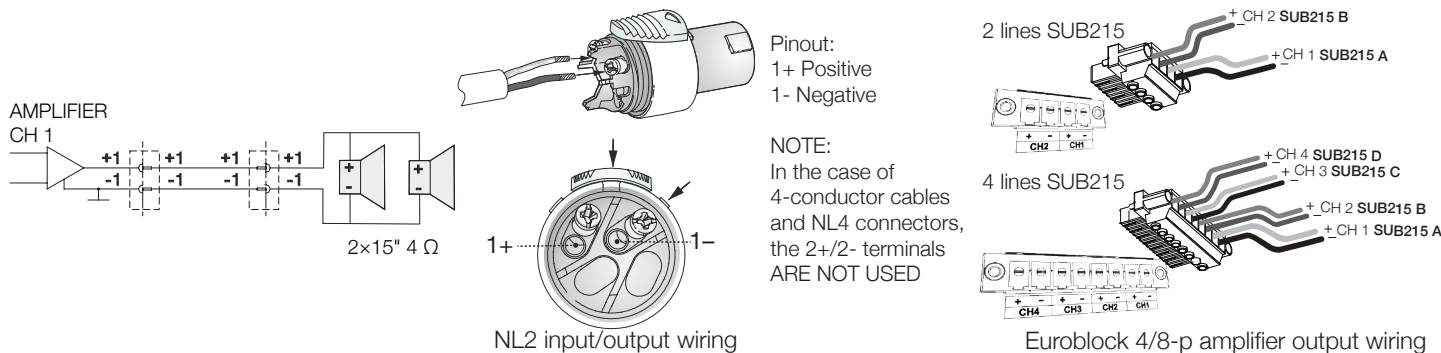
Vertical Coverage



FREQUENCY RESPONSE

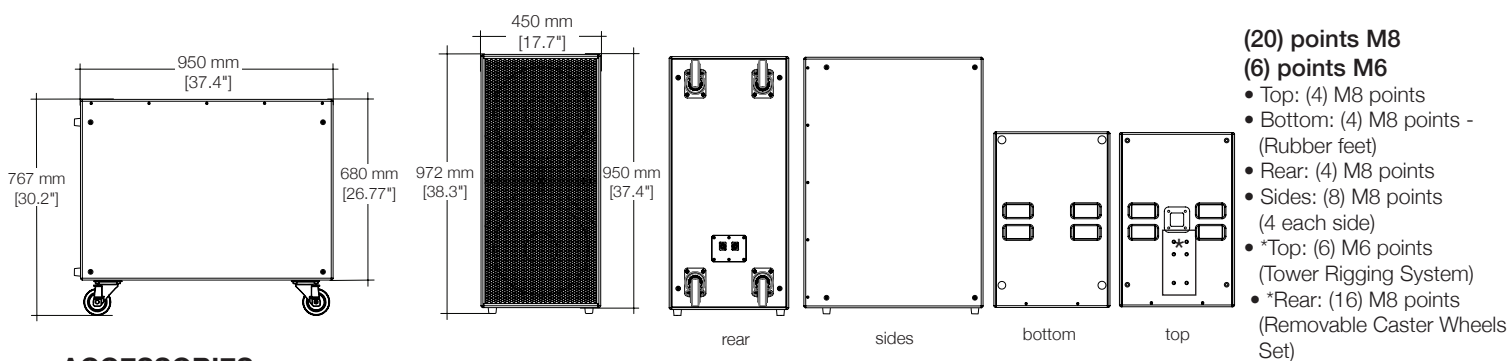


WIRING

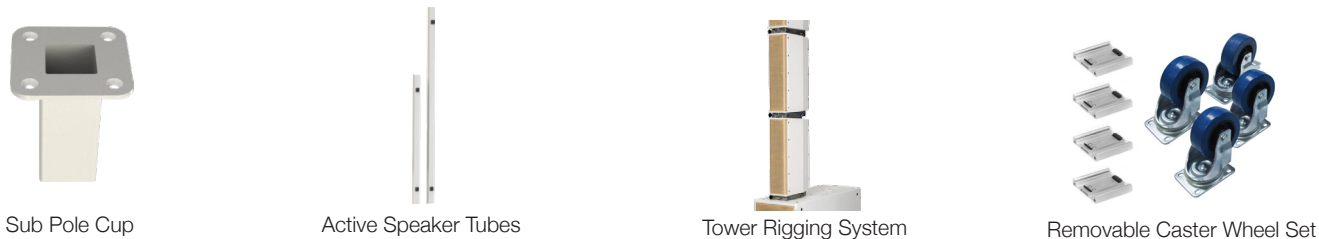


DIMENSIONS

RIGGING



ACCESSORIES



Contact

For more product or service information please contact the 1 SOUND headquarters.

1 SOUND, Manufacturer
USA Distributor
34 Apple Street
Tinton Falls, NJ 07724

tel. +1-732-798-9900
sales@1-sound.com

Warranty

All manufactured 1 SOUND products are warranted to be free from defects in materials or workmanship for a period of 3 years from original purchase. If there is specific hardware or grilles you might want replaced or any repairs needed please contact your region's authorized 1 SOUND distributor.

