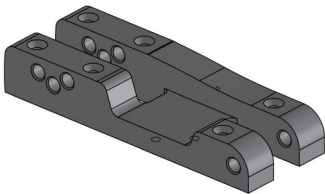




Tower Rigging System

Accessories & Hardware



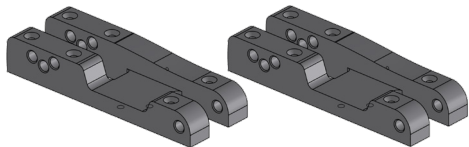
COPYRIGHT 1 SOUND - ALL RIGHTS RESERVED - REV2_2021

www.1-sound.com

Made in USA 

Tower Rigging System Overview

This system is used to attach Tower loudspeakers together, on a subwoofer or to a fly bar. It can also be used with the Tower Tube Mount to create a speaker stand mount with various angles. The Rigging System offers a simple one-person installation process.



[A] (2) mounting plates



[B] (2) locking pins



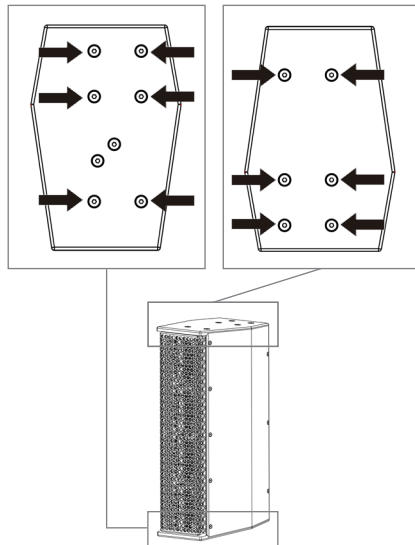
[C] (8) M6x50mm



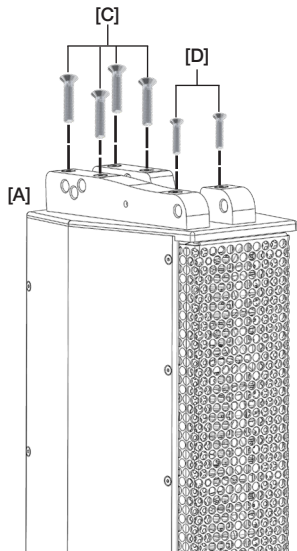
[D] (4) M6x45mm

Angles Offered	-3°, 0°, +3°
Material	solid structural aluminum
Color/Finish	anodized black or silver

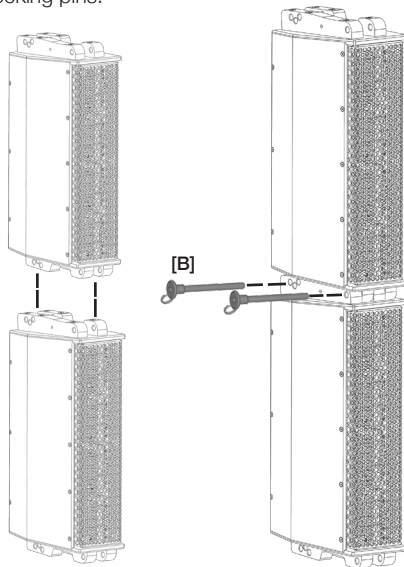
Wherever you plan on placing a mounting plate, unscrew the (6) M6 screws on the Tower speaker or subwoofer.



Attach the plate to the speaker using
(4) [C] M6x50mm screws in the back four holes, and
(2) [D] M6x45mm screws for the two front holes.

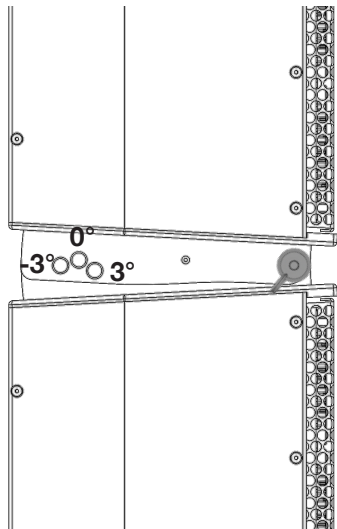


Line up the speakers and connect using the (2) [B]
locking pins.

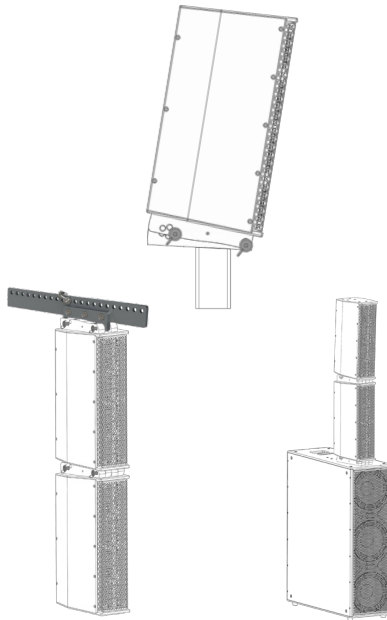


Pro Tip: Put (1) pin in the front first, so you can safely adjust your angle with both hands.

Choices of angles: -3° , 0° , $+3^\circ$



When used with the Tower Tube Mount, a $+6^\circ$ and $+9^\circ$ angle is available.





1 SOUND, *Manufacturer*
34 Apple Street
Tinton Falls, NJ 07724

HQ: +1-732-798-9900
sales@1-sound.com

Visit www.1-sound.com for more product and service information.