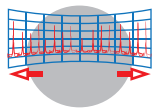


The Wisycom MTK982 is a versatile dual wideband, stereo IEM/IFB transmitter. The MTK982 provides the highest audio quality, extremely low spurious emissions, and is capable of generating multiple types of RF modulations.



**Wideband RF
Technology**

Provides the widest switching bandwidth available, up 330 MHz range to find the best frequency, anywhere in the world.



**NB/WB
SW selectable**

Stereo, mono, intercom audio modulations



DIGICOM Multi-Brand Compatibility - This software enables the use of third-party receivers with Wisycom transmitter



**Bluetooth 5
Long Range**

Integrated LE long-range Bluetooth 5 for remote control and quick setup

OTHER FEATURES

- 330 MHz Bandwidth
- Direct Digital Synthesis (DDS) of signal for the highest flexibility and quality
- Stereo, mono, intercom audio modulation
- DSP audio processing (40bit floating point / 2Gflops) with multi-companding
- Low interference output stage with isolators
- 2400 user-defined frequencies (40 groups by 60 channels)
- Analogue & digital input (AES3)
- Output power up to 2 Watt
- Redundant power supply 230/110 Vac & 12 VDC (DC option)
- SWR (Standing Wave Ratio) sensing on antenna outputs
- RF auxiliary outputs for isofrequency transmission (equipped by standard configuration)



CONFIGURATIONS

FREQUENCY RANGE

EU 470-694 MHz, max 50 mW, Europe

EUX 470-694 MHz , max 2 Watt, Europe

JP 1240-1260 MHz, max 50 mW, Japan

JP1 470-714 MHz, max 10 mW, Japan

FREQUENCY RANGE

US 470-608 MHz, max 250 mW
614-663 Mhz, max 20 mW, USA and Canada

POWER SUPPLY OPTION

DC 10÷28 Vdc 6A MAX on XLR-4M

ACCESSORIES & RELATED



Item: CAL-EU
Power supply cable with Shuko plug
10A 250V 1,8mt



Item: CAL-UK
Power supply cable with UK plug 10A
250V 1,8mt



Item: CAL-US
Power supply cable with USA plug
10A 250V 1,8mt



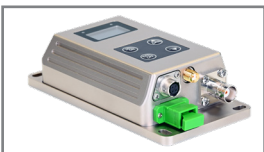
Item: CABB03
Antenna Cable: 30cm with BNC-M/
BNC-M connectors 50Ω



Item: ADB2/ADN2
Omnidirection Wide-band antenna
410-960 MHz



Item: LNN2/LBN2
Directive Wide-band Active antenna
470-1260 MHz



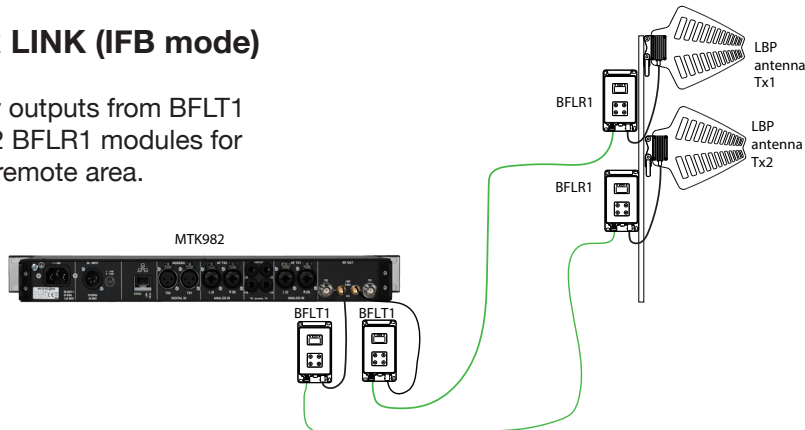
Item: BFLT1/BFLR1
Single Laser RF over Fiber transmit-
ter/
receiver with selectable filter and
high power Bluetooth long range



Item: AL1265XF
AC/DC Power Supply with XLR-F
4-pin connector
Input: 90 ÷ 264 Vac
Output: 12V/5.8A

TRANSMISSION FIBER LINK (IFB mode)

Connecting MTK982 auxiliary outputs from BFLT1 modules linked over fiber to 2 BFLR1 modules for transmitting two signals to a remote area.



TECHNICAL SPECIFICATIONS

RF SPECIFICATIONS	Frequency ranges	from 430 to 1260 Mhz, depends on the country (see Configurations)
	Switchable channels	2400 managed in 40 groups of 60 channels completely user customizable
	Switching-window	330 MHz tuneable
	Frequencies	5 kHz steps
	RF Power	switchable typ. 10,20,30,50,75,100,150,200,250,400,500,750,1000,1200,1500,2000 mW (ERP) NOTE: RF power can be limited on frequency base accordingly to specific country restrictions
	Max RF output power	2 Watt [NOTE] RF power can be limited on frequency base accordingly to specific country restrictions
	Antenna connector	2 x BNC type female connectors
	Auxiliary RF connector	2 x SMA type female connectors
	RF impedance	50 Ω
	Modulation	FM, MPX Stereo or mono, selectable with dedicated menu
	Peak deviation	±56 kHz for mono wideband, ±35 kHz for mono narrowband, ±48 kHz for stereo (preset mode)
	MPX Pilot tone	19kHz
	AUDIO SPECIFICATIONS	Tone squelch
Spurious emissions		< 2 nW
Noise Reduction system		ENS , ENR, ENC NONE-d50, no compander, pre-emphasis 50 μs NR, to work with Wisycom Intercom system Other compander on request
AF bandwidth		20÷20kHz (mono) 30÷15kHz (stereo) NOTE: custom setting can change audio bandwidth (3/4/12/15/20kHz)
Audio input connector		XLR-3 / 1/4" (6,3mm) jack combo socket, electronically balanced
Audio input level		+18dBu
Pin Assignments		XLR: 1=ground 2=hot 3 =cold 6.35mm (1/4") TRS: Tip=hot Ring=cold Sleeve=ground
Digital output		AES3 on XLR-3M (32kHz ÷ 108 kHz)
Monitor output		6.35mm (1/4") jack socket, balanced
Monitor output level		120+120mW@24Ω , 80+80mW@150Ω
Monitor out impedance		25Ω for auricle
Managing interface		10/100 Base TX Ethernet port on RJ45 connector, Bluetooth Long Range
OTHERS		Display
	Power supply	90 - 264 V AC, 47/63 Hz
	DC options	10-28 Vdc, 6A max
	Temperature range	-10 ÷ +55 °C
	Dimensions	19"/1U 43.8 x 483 x 349 mm (HxWxD) with brackets
	Weight	4 Kg approx.

