

**MBK208Z / MBK212Z**

**AUDAC**

PROFESSIONAL AUDIO EQUIPMENT

---

MBK208Z / MBK212Z wall bracket

# Installation Guide

© AUDAC  
<http://www.audac.be>  
info@audac.be

Locate the holes where to fix the wall bracket on the speaker and turn the speaker with the downside up.



Place the brace over the hole in the side of the speaker. The hole in the speaker should correspond with the middle hole in the brace.



Fix the brace on the speaker with one bolt.



Mark the two other holes, remove the brace and drill the marked holes.



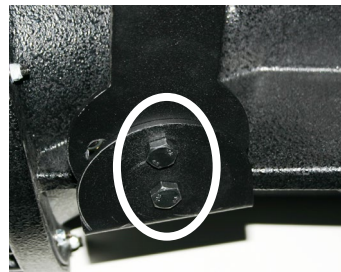
Place the brace back and fix it with three bolts.



Turn the speaker around with the downside down.



Place the wall bracket inside the braces and fix it with two bolts.

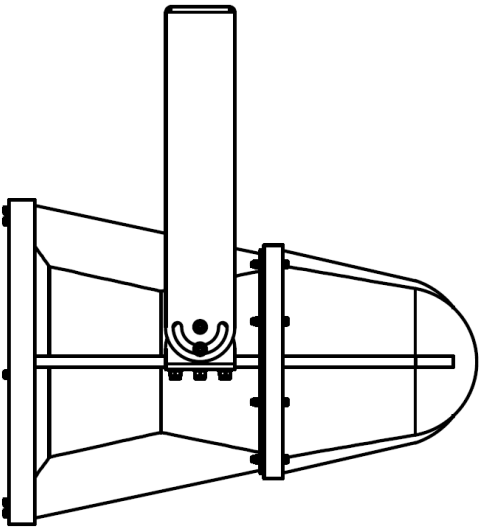


Now the speaker is ready to be mounted.

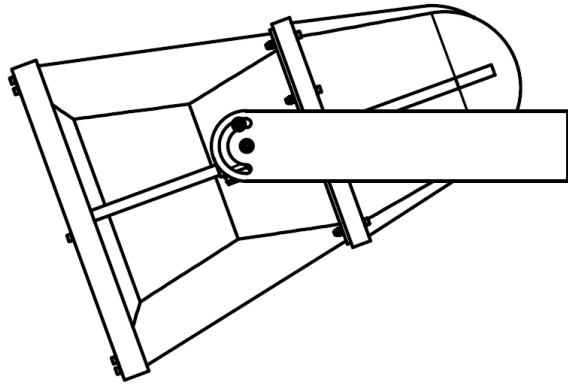


**Mounting possibilities:**

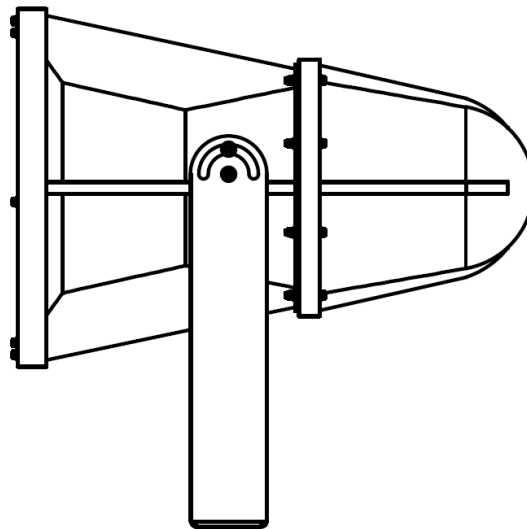
- Ceiling mount



- Wall mount (minimum of 3 mounting points should be used, including the 2 most outward holes)



- Floor mount



Included safety cable must be used to ensure safe operation of the speaker

