

INSTALLATION MANUAL

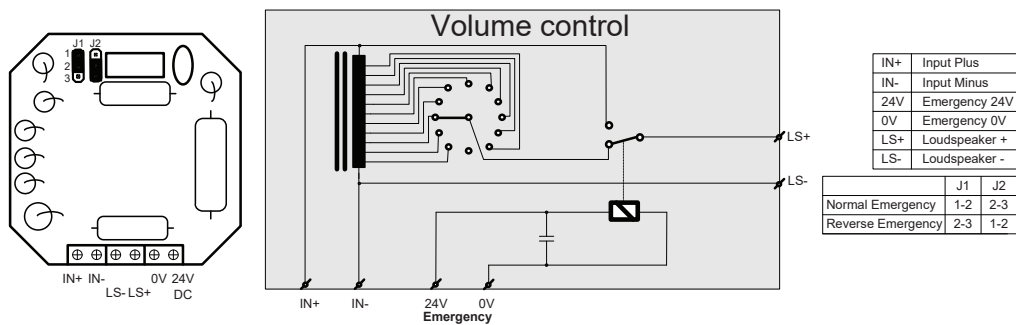
VC3xx2 SERIES 100V VOLUME CONTROLLER



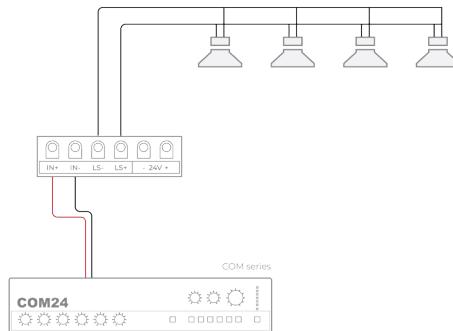
INTRODUCTION

The VC3xx2 Series are 100 Volt wall volume controllers whereby the volume for 100 V loudspeakers can be adjusted in 11 steps of 3 dB. They feature a slim and good looking design and are constructed out of sturdy ABS, making them suitable for big projects in industrial environments as well as standard home interiors. An integrated 24 Volt relay allows bypassing of the volume controller in priority situations, making sure the message is always clearly heard at maximum volume. Connections are made using screw terminal blocks, and flush and surface mount boxes (WB3102) are separately available.

Use only Hi-Z 100 V loudspeakers. Total loudspeaker power shall not exceed program power handling of the volume controller.

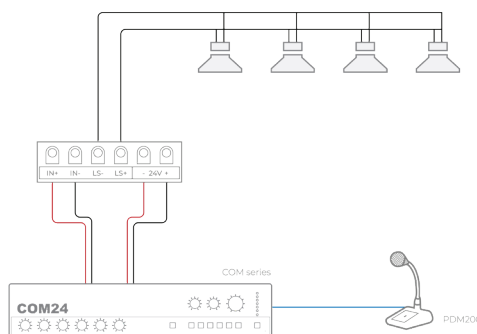


2-WIRE CONNECTION



4-WIRE CONNECTION

The 4-wire connection requires an amplifier with 24V output and a volume controller with a priority relay, COM12 and COM24. In the 4-wire connection, the volume controller is set to the maximum during an announcement from the connected microphone. Please note that when the volume controller is set to 0 both background music and emergency announcements are muted.



INSTALLATION MANUAL

VC3xx2 SERIES 100V VOLUME CONTROLLER



Model	Program Power Handling	Attenuation	Priority Relay	Dimensions	Built-in Depth
VC3022	20 Watt	11 x 3dB	24V / 25mA	80 x 80 x 50 mm	40 mm
VC3062	60 Watt	11 x 3dB	24V / 25mA	80 x 80 x 50 mm	43 mm
VC3102	100 Watt	11 x 3dB	24V / 25mA	80 x 80 x 50 mm	46 mm

PRECAUTIONS

- ALWAYS KEEP THESE INSTRUCTIONS FOR FUTURE REFERENCE. NEVER THROW THEM AWAY
- ALWAYS HANDLE THIS UNIT WITH CARE
- CLEAN ONLY WITH DRY CLOTH
- HEED ALL WARNINGS AND FOLLOW ALL INSTRUCTIONS
- NEVER EXPOSE THIS EQUIPMENT TO RAIN, MOISTURE, ANY DRIPPING OR SPLASHING LIQUID.
- DO NOT INSTALL THIS UNIT NEAR ANY HEAT SOURCES SUCH AS RADIATORS OR OTHER APPARATUS THAT PRODUCE HEAT
- DO NOT PLACE THIS UNIT IN ENVIRONMENTS WITH A HIGH LEVEL OF DUST, HEAT, MOISTURE OR VIBRATION
- THIS UNIT IS DEVELOPED FOR INDOOR USE ONLY. DO NOT USE IT OUTDOORS
- ONLY USE ATTACHMENTS & ACCESSORIES SPECIFIED BY THE MANUFACTURER.
- CAREFULLY CHECK THE UNIT'S CONDITION AFTER UNPACKING.
- IF THERE IS ANY DAMAGE TO THE CARTON BOX OR THE UNIT ITSELF, INFORM YOUR VENDOR IMMEDIATELY.
- USE CABLES OF THE RIGHT GAUGE TO CONNECT THE LOUDSPEAKER
- USE CABLES WITH CLEAR COLOR CODING INDICATING THE POLARITY AND MAINTAIN THE SAME POLARITY THROUGHOUT THE WHOLE SYSTEM.
- ONLY USE THE CORRECT AMPLIFIER OUTPUT VOLTAGE AND IMPEDANCE. EXCEEDING THESE LIMITS COULD CAUSE FIRE OR OTHER FAILURES.
- AVOID ELECTRIC SHOCKS: SWITCH OFF THE AMPLIFIER WHEN CONNECTING THE VOLUME CONTROLLER.

CAUTION - SERVICING

This product contains no user serviceable parts. Refer all servicing to qualified service personnel. Do not perform any servicing (unless you are qualified to do so.)

EC DECLARATION OF CONFORMITY

This product conforms to all the essential requirements and further relevant specifications described in following directives: 2014/30/EU (EMC) and 2014/35/EU (LVD)

WASTE OF ELECTRICAL AND ELECTRONIC EQUIPMENT (WEEE)

The WEEE marking indicates that this product should not be disposed with regular household waste at the end of its product life. This regulation is created to protect both the environment and human health.

This product is developed and manufactured with high quality materials and components which can be recycled and/or reused. Please dispose of this product at your local collection point or recycling center for electrical and electronic waste. Do this to make sure that the product is recycled in an environmental friendly way, and help to protect the environment in which we all live.