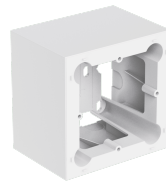
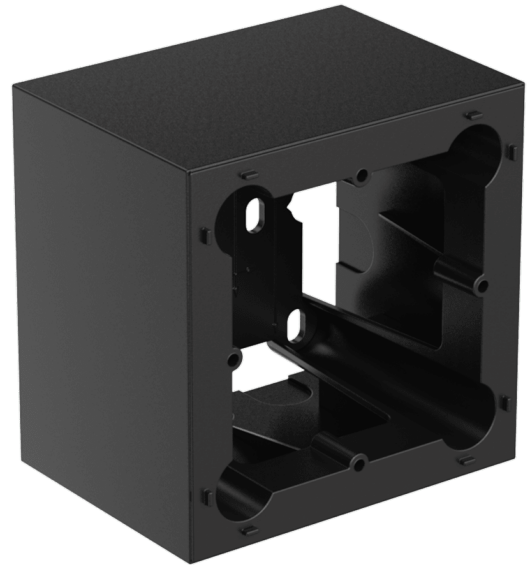


Product information:

The WB200 wall boxes allow surface mount installation for the NWP series, WP2xx series and DWP series 80 x 80 mm sized wall panels.

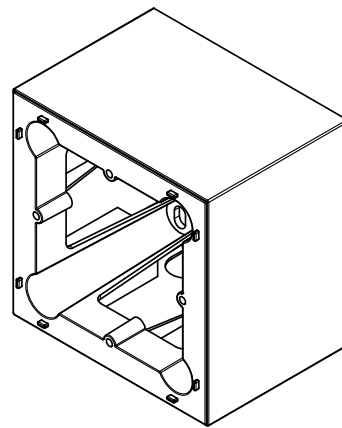
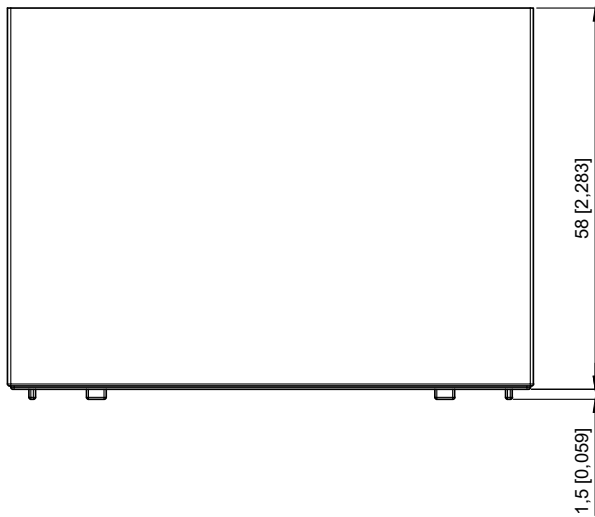
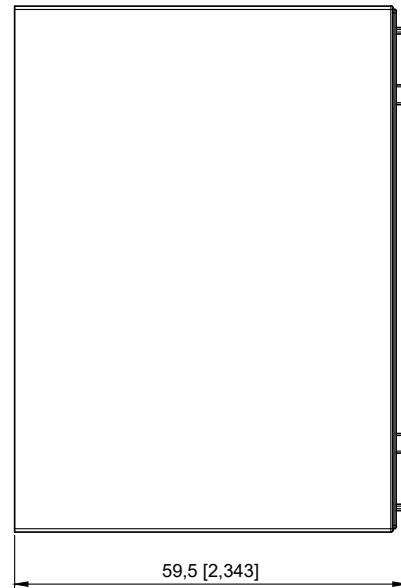
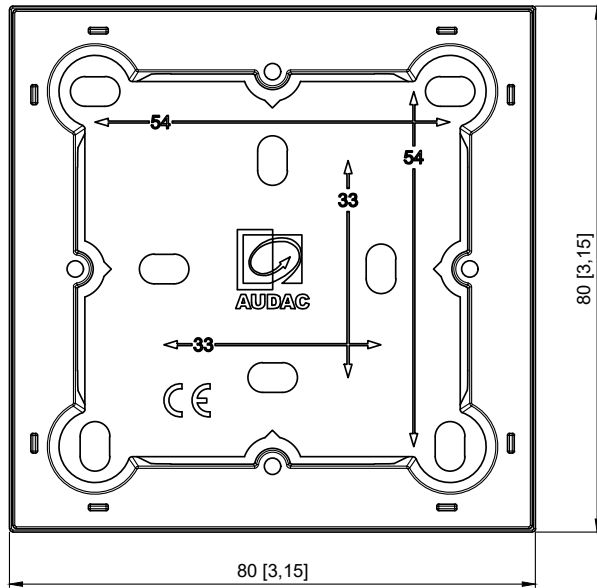


Product Features:

Dimensions	80 x 80 x 59.5 mm (W x H x D)
Weight	0,05 kg

Variants:

- WB200/SB - Black version
- WB200/SW - White version



WB200/S

Product description

WALL BOX FOR WP & DWP SERIES 80x80 MM
WALL PANEL - SURFACE MOUNT

MM [INCH]	Scale	Outer dimensions (w x h x d)	Unit height	Weight
	1 : 1	80 x 80 x 59,5 mm 3,15 x 3,15 x 2,343 "	N/A	50 g 1,76 oz