



Type(s)  
Project  
Date  
Notes

**GENERAL INFORMATION**

ColorSource PAR jr is a compact version of the much-loved ColorSource PAR fixture. Crafted by lighting experts, ColorSource PAR jr uses a four-color array of red, green, blue and lime to provide bold, bright color in a surprisingly small form factor. The extremely lightweight luminaire is also convection-cooled and fanless, making it the ideal option for stage and set applications that require complete silence. This fixture is available with either the Original array with warm pastels for skin-tone enhancement, or the Deep Blue array, which brings saturated moody tones to your stage. And at almost 2300 lumens, it packs an impressive punch.

**FEATURES**

- Two array options
  - Original RGB-L (Red/Green/Blue/Lime)
  - Deep Blue RGI-L (Red/Green/Indigo/Lime)
- Homogenized optics
- Simple user interface with seven-segment display
- powerCON® in and thru
- 5-pin XLR
- LED droop compensation
- Optically calibrated

**APPLICATIONS**

- Theatres and performance spaces
- Houses of worship
- Universities and schools
- Hospitality
- Retail
- Exhibition centers
- Meeting rooms
- Clubs
- Cafeteriums

**ORDERING INFORMATION**

**ColorSource PAR jr**

Model	Description	ETL Part Number	CE Part Number	
CSPARJR	ColorSource PAR jr, Black	7420A1015	7420A1215	
CSPARJRDB	ColorSource PAR jr, Deep Blue, Black	7420A1016	7420A1216	

Note: ColorSource PAR jr luminaires ship with a hanging yoke and a power cable with connector of choice. See page 7 for connector options. C-clamps are not included. For additional color options, please add the following: -1 for white.

Additional ordering information (including accessories) can be found on page 7.



## PRODUCT SPECIFICATIONS

## Source

LED details	16 Lumileds LUXEON® C
Max lumens	PAR jr: 2290 PAR jr DB: 2061
Lumens per watt	PAR jr: 31.8 PAR jr DB: 28.6
L70 rating (hours to 70% output)*	54,000 hours

## Color

Colors used	PAR jr: Red, Green, Blue, Lime PAR jr Deep Blue: Red, Green, Indigo, Lime
Color temperature range	Color mixing
Calibrated array	Yes
Red shift	No

## Optical

Beam angle range	15.3° (secondary lenses available for multiple beam-spread options)
Gate size	N/A
Aperture size	127 mm (5 in)
Pattern projection	No
Pattern size	N/A
Camera flicker control/Hz range	1.2 kHz (default) and 25 kHz (via RDM)

## Control

Input method	5-Pin XLR
Protocols	DMX-512, RDM
Modes (footprint)	4 modes (1–6 channels)
RDM configuration	Yes
UI type	Seven-segment, three-button interface
Local control	Yes
Onboard presets	Yes (12)
Onboard sequences	Yes (5)
Onboard effects	No
FixtureLink	Yes

## Electrical

Voltage range	ETL: 100–125 VAC 50/60 Hz CE: 100–240 VAC 50/60 Hz
Input method	AC via Neutrik powerCON®
Inrush (first half-cycle)	120 V: 14.5 A 240 V: 28.7 A
Fixtures per circuit on standard R20 breaker	18 (link up to 17 via Power Thru connector)* Note: powerCON connector rated for 20 A (120 V / 60 Hz) and 16 A (240 V / 50 Hz)
Wattage (typical)	120 V: 72 W 240 V: 72 W
Current draw	120 V: 0.6 A 240 V: 0.3 A

\*Note: All measurements are for 120 V, 60 Hz. Results may vary in different regions.

## Thermal

Ambient operating temp	0°–40° C (32°–104° F)
Fan (controllable)	No
Droop compensation	Yes
dB range	Fan-free
BTUs/hour (120 V)	246

## Physical

Materials	ABS plastic
Color options	Black or white
Mounting options	Yoke (yoke with floor stand available as an optional accessory)
IP rating	IP20
Weight	2.54 kg (5.6 lb)
Included accessories	Yoke, power cable

## Warranty

Fixture	5 years
LED array	10 years

## Regulatory and Compliance

Approved regulatory standards	cETLus Listed Conforms to UL 1598 Listed Certified to CAN/CSA C22.2 No. 250
----------------------------------	---

\*Note: All LED sources experience some lessening of light output and some color shift over time. LED output will vary with thermal conditions. In individual situations, LEDs will be used for different durations and levels. This can eventually lead to minor alterations in color performance, necessitating slight adjustments to presets, cues or programs.

### PRODUCT FEATURES



#### **HOMOGENIZED OPTICS**

The optics consist of a balanced mix of red, green, blue, and lime LEDs to give the best and brightest color mix possible.



#### **SILENT, FAN-FREE OPERATION**

PAR jr utilizes an advanced thermal system to provide brilliant, silent output without the use of a fan.

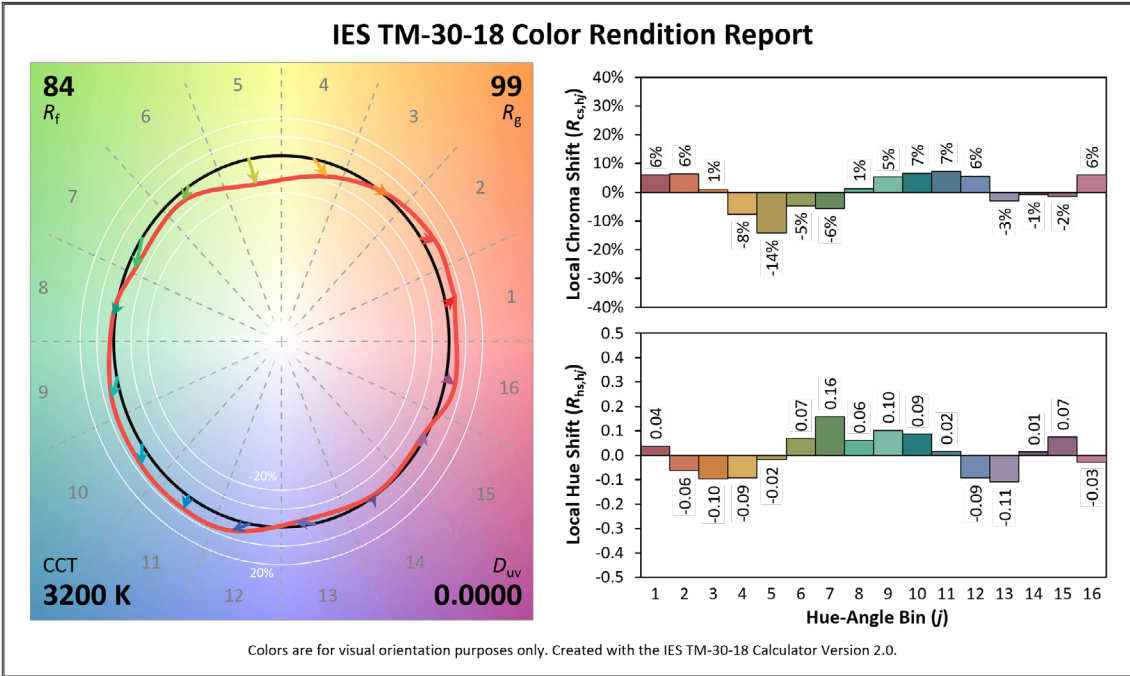


#### **RGB-L OR RGI-L ARRAY**

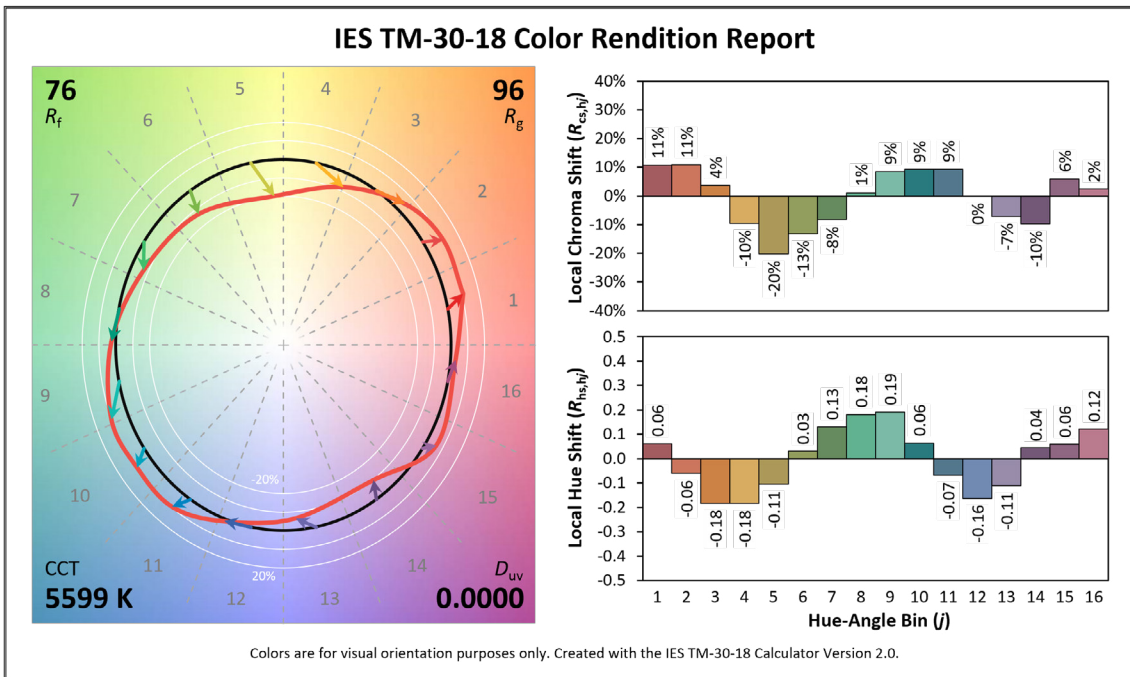
The custom four-color blend of LEDs incorporates a hint of lime to increase spectral reach and color depth.

COLOR METRIC INFORMATION

COLORSOURCE PAR JR 3200 K TM-30-18

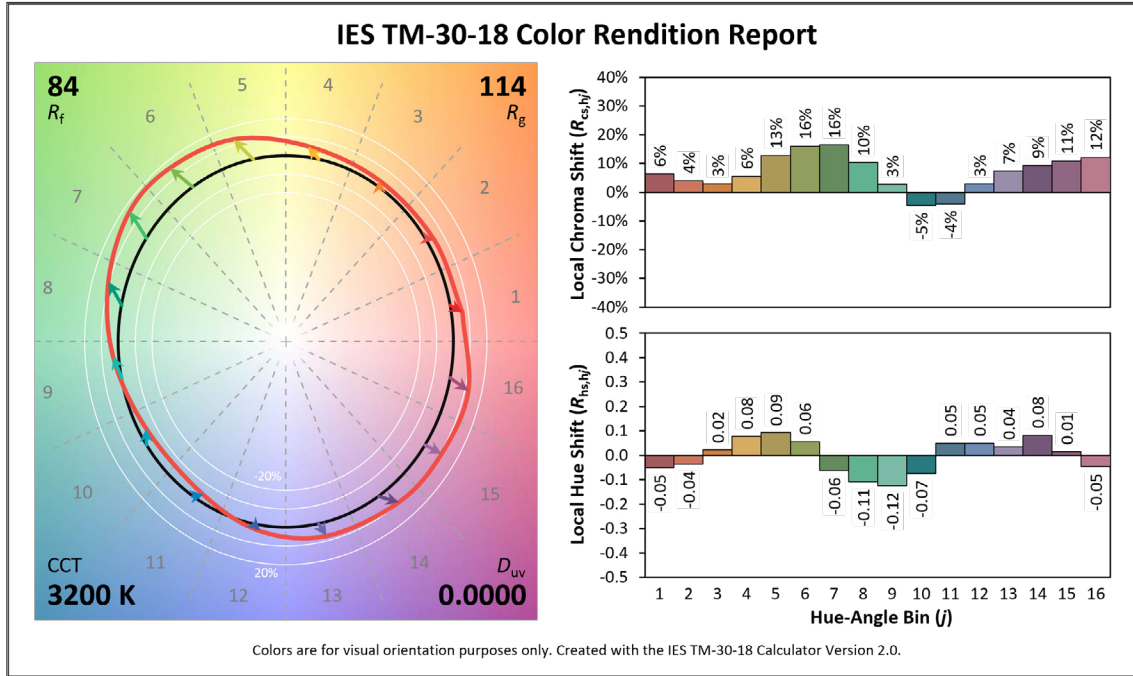


COLORSOURCE PAR JR 5600 K TM-30-18

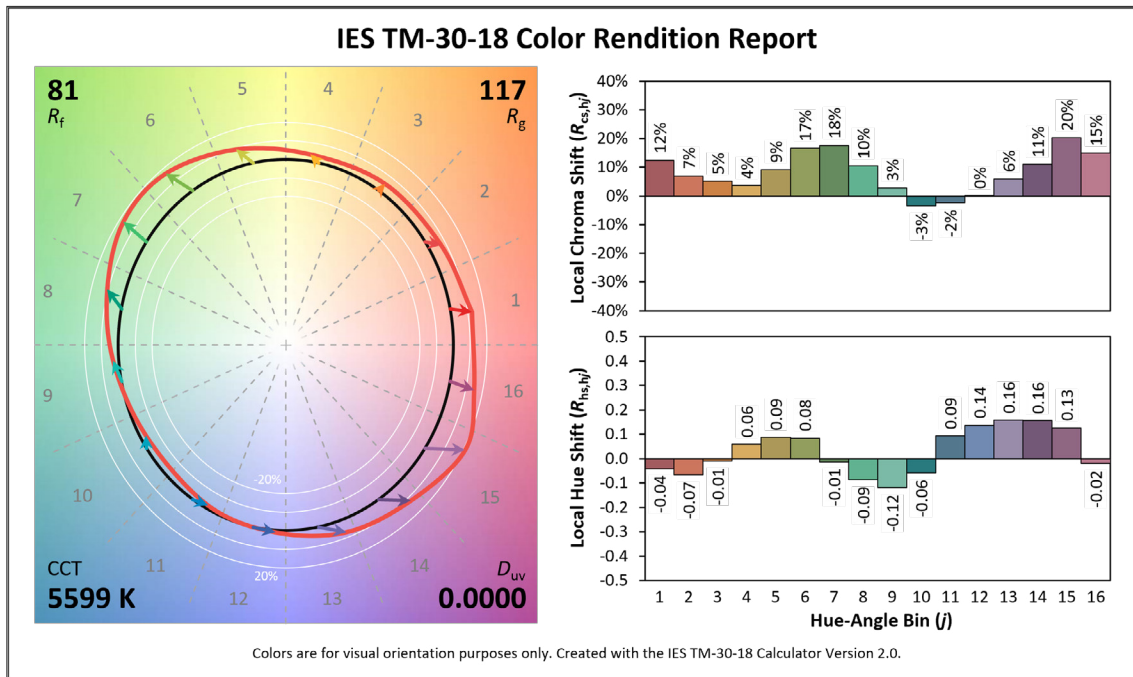


COLOR METRIC INFORMATION

COLORSOURCE PAR JR DEEP BLUE 3200 K TM-30-18



COLORSOURCE PAR JR DEEP BLUE 5600 K TM-30-18

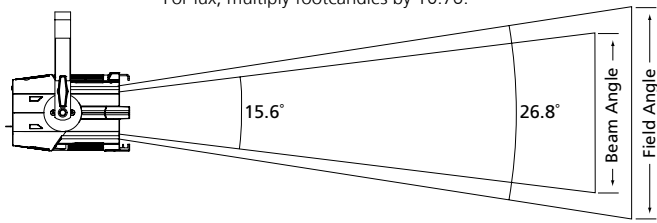


PHOTOMETRY INFORMATION

ColorSource PAR jr

Mode	Degree	Candela	Field Lumens	Beam Lumens	Power Consumption (Watts)	Lumens Per Watt
Full On Direct	15.6	25,925	1,748	962	49.6	35.2
3200 K	15.6	20,280	1,351	734	34.6	39.0
5600 K	15.6	26,353	1,772	974	51.3	34.5

Metric conversions: For meters, multiply feet by 0.3048.  
For lux, multiply footcandles by 10.76.



Throw Distance (d)	10 ft	15 ft	20 ft	25 ft	161 ft
	3.0 m	4.6 m	6.1 m	7.6 m	49.1 m
Field Diameter	4.8 ft	7.2 ft	9.5 ft	11.9 ft	-
	1.5 m	2.2 m	2.9 m	3.6 m	
Illuminance (fc)	337	150	84	54	1
Illuminance (lux)	3,627	1,612	907	580	10.76

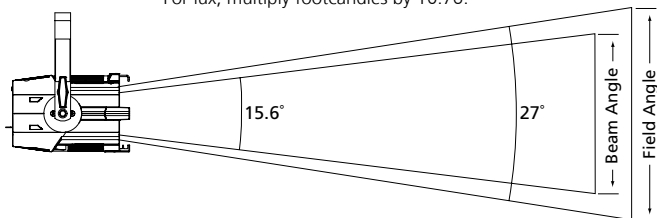
To determine center beam illumination in footcandles at any throw distance, divide candela by the throw distance squared.

For field diameter at any distance, multiply distance by 0.477.  
For beam diameter at any distance, multiply by 0.274.

ColorSource PAR jr Deep Blue

Mode	Degree	Candela	Field Lumens	Beam Lumens	Power Consumption (Watts)	Lumens Per Watt
Full On Direct	15.6	27,384	1,881	1,035	54.2	34.7
3200 K	15.6	21,285	1,474	815	39.2	37.6
5600 K	15.6	28,053	1,923	1,064	55.7	34.5

Metric conversions: For meters, multiply feet by 0.3048.  
For lux, multiply footcandles by 10.76.

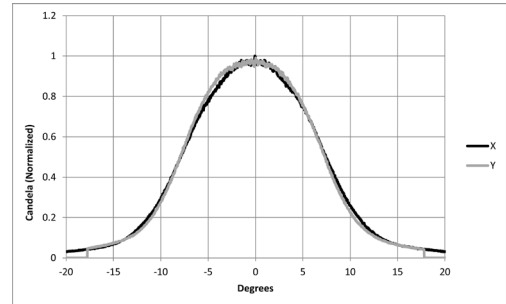


Throw Distance (d)	10 ft	15 ft	20 ft	25 ft	165.5 ft
	3.0 m	4.6 m	6.1 m	7.6 m	50.4 m
Field Diameter	4.8 ft	7.2 ft	9.6 ft	12 ft	
	1.5 m	2.2 m	2.9 m	3.7 m	
Illuminance (fc)	274	122	68	44	1
Illuminance (lux)	2,948	1,310	737	472	10.76

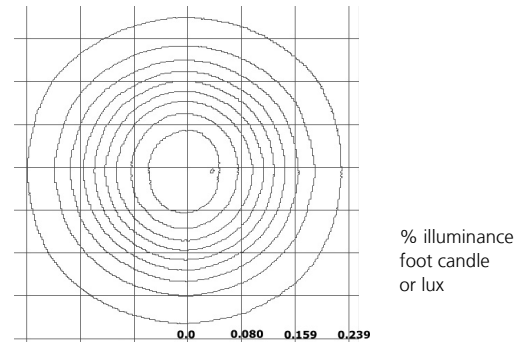
To determine center beam illumination in footcandles at any throw distance, divide candela by the throw distance squared.

For field diameter at any distance, multiply distance by 0.480.  
For beam diameter at any distance, multiply by 0.274.

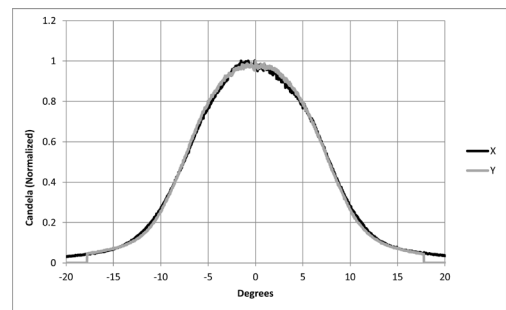
Candela Plot



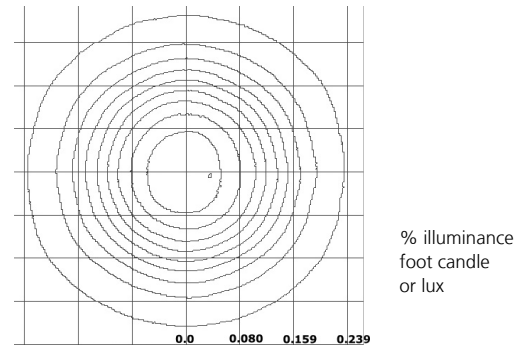
Iso-Illuminance Diagram (Flat Surface Distribution)



Candela Plot



Iso-Illuminance Diagram (Flat Surface Distribution)



## ADDITIONAL ORDERING INFORMATION

## Secondary Lens Options

The following lenses are cut for our luminaires and create round, linear or oblong field patterns as described below. Linear lenses may be combined to create desired field size.

Model	Description	Part Number	
<b>Narrow Linear Field</b>	Linear lenses may be combined to create desired field size, i.e. 40° X 60°		
SELLN-D22	5.5 in/ 140 mm Narrow lens	7411K1010	
SELLM-D22	5.5 in/ 140 mm Medium lens	7411K1011	
SELLW-D22	5.5 in/ 140 mm Wide lens	7411K1012	
SELLXW-D22	5.5 in/ 140 mm Extra wide lens	7411K1013	
<b>Round Field</b>			
SELRN-D22	5.5 in/ 140 mm Narrow lens	7411K1002	
SELRM-D22	5.5 in/ 140 mm Medium lens	7411K1003	
SELRW-D22	5.5 in/ 140 mm Wide lens	7411K1004	
SELRXW-D22	5.5 in/ 140 mm Extra wide lens	7411K1005	
<b>Oblong Field</b>			
SELOM-D22	5.5 in/ 140 mm Narrow lens	7411K1006	
SELOM-D22	5.5 in/ 140 mm Medium lens	7411K1007	
SELOW-D22	5.5 in/ 140 mm Wide lens	7411K1008	

## Fixture Accessories

Model	Description	Part Number	
SELD22BD	Barn door (Use only as a flexible top hat to diminish aperture glare. Not for beam shaping.)	PSF1113	
SELD22CF	5.5 in Color frame (use for round and oblong lenses)	PSF1114	
SELD22ECL	Egg crate louver	PSF1111	
SELD22HS	Half-shield	PSF1112	
CSPARJRFSY	Yoke with floor stand attachment	7420K1001	
400CC	C-clamp (does not ship with fixture)	7060A2009 (not CE)	
400SC	Safety cable (30 in / 762 mm)	7060A1022	
DPSJ-25	25 ft / 7.6 m powerCON-to-Edison input power cable with inline switch	7400B7030 (not CE)	

## Power Input Cables

Use information below to order 5 ft power input leads with factory-fitted connectors. CE fixtures ship with 2 m powerCON to bare end.

Model	Description	Part Number (not CE)	
DPA-A	5 ft / 1.5 m powerCON to parallel blade U-ground (Edison) connector	7410B7037-A	
DPA-B	5 ft / 1.5 m powerCON to 20 A two-pin and ground (stage-pin) connector	7410B7037-B	
DPA-C	5 ft / 1.5 m powerCON to grounded 20 A twistlock connector	7410B7037-C	
DPA-X	5 ft / 1.5 m powerCON to bare-end power input lead	7410B7037-X	

Note: One cable of your choice is included with each fixture.

## Power Thru Jumpers

Power thru jumpers connect to output (thru) connectors to provide power to successive luminaires inline.

Model	Description	Part Number	
DPJ-5	1.5 m (5 ft) powerCON to powerCON fixture to fixture jumper (ETL only)	7410B7020	
DPJ-10	3.0 m (10 ft) powerCON to powerCON fixture to fixture jumper (ETL only)	7410B7010	

PHYSICAL

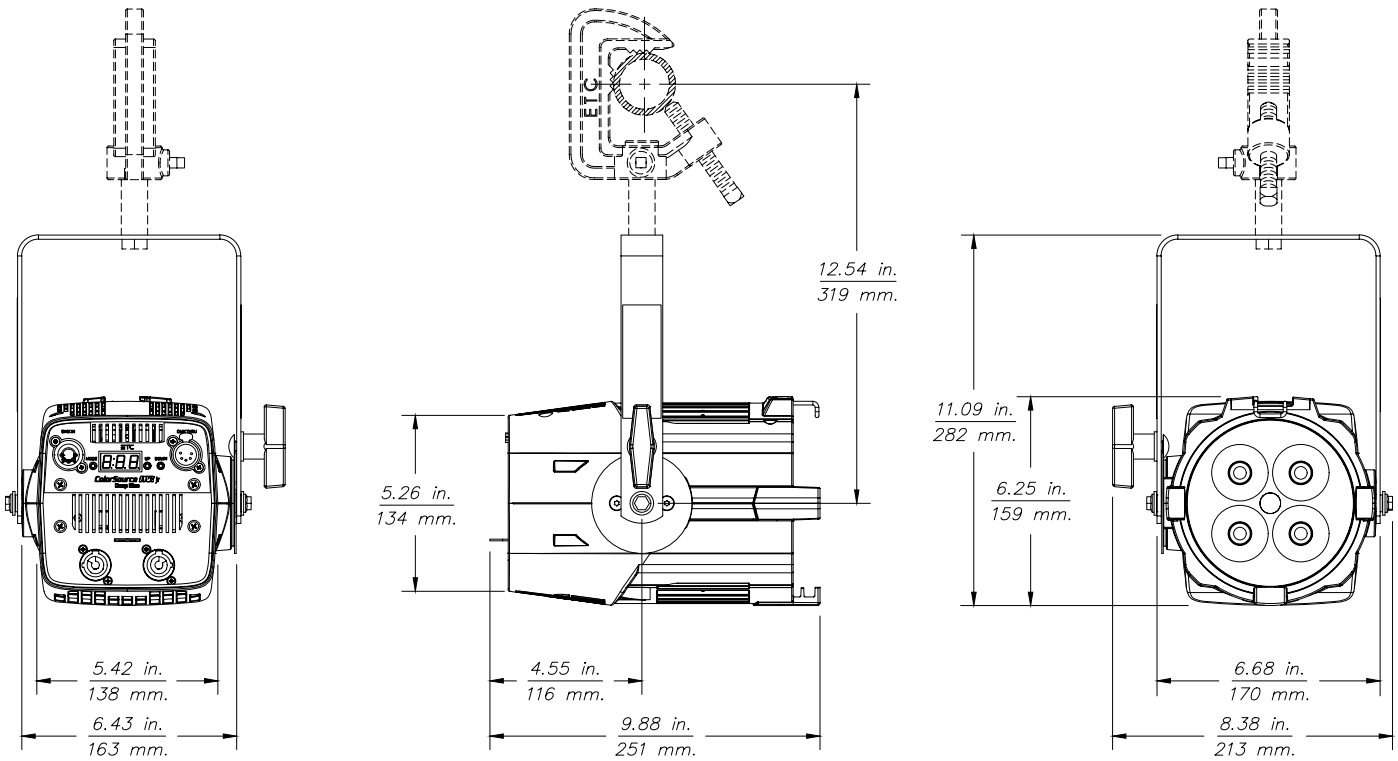
ColorSource PAR jr Dimensions

Model	Height		Width		Depth	
	in	mm	in	mm	in	mm
ColorSource PAR jr	11.08	282	8.38	213	9.88	251

ColorSource PAR jr Weights

Model	Weight		Shipping Weight	
	lb	kg	lb	kg
ColorSource PAR jr	5.6	2.54	8	3.63

COLORSOURCE PAR JR



Corporate Headquarters • Middleton, WI USA  
 Global Offices • London, UK • Rome, IT • Holzkirchen, DE • Paris, FR • Hong Kong  
 Dubai, UAE • Singapore • New York, NY • Orlando, FL • Los Angeles, CA • Austin, TX  
 ©2024 ETC. All Rights Reserved. All product information and specifications subject to change. Rev C 2024-07  
 \*Trademark and patent info: [etconnect.com/IP](http://etconnect.com/IP) • Third-party license agreement info: [etconnect.com/licenses](http://etconnect.com/licenses)