



Type(s)
Project
Date
Notes

GENERAL INFORMATION

Designed for the studio and film industry, fos/4 takes the most desired features of a standard incandescent Fresnel and adds in the nuanced color mixing, smooth fades, and LED technology of ETC’s other professional grade fixtures. With fos/4, you get a true Fresnel with an LED engine, available in a variety of apertures. With a wide zoom range, remarkable quality of light and impressive output, you get the feature set and brightness you need for your shoot. With the addition of Deep Red LEDs, the Lustr X8 array pushes the boundaries of color rendering possibilities while the tunable Daylight HDR array gives new depth to your white light. The fos/4 series fixtures are made in the USA and backed by a 24/7/365 phone support guarantee – we’ll be there when you need us, regardless of time or day.

APPLICATIONS

- Television studios
- Location shoots
- Film sets

PRODUCT FEATURES

- Two array choices:
 - Lustr X8 full color array
 - Daylight HDR tunable white array
- 5, 7 or 10 inch glass Fresnel lens aperture options
- Intuitive UI with color picker
- Tunable CCT between 1900–10450 K
- NFC configuration
- Multiverse® wireless control
- Standard 5/10 year LED fixture warranty

ORDERING INFORMATION

fos/4 Fresnel Lights

MODEL	DESCRIPTION	ETL PART NUMBER	CE PART NUMBER*	
fos4FL5	fos/4 Fresnel, 5 in, Lustr X8	7470A1000	7470A1200-SY	
fos4FD5	fos/4 Fresnel, 5 in, Daylight HDR	7470A1001	7470A1201-SY	
fos4FL7	fos/4 Fresnel, 7 in, Lustr X8	7470A1010	7470A1210-SY	
fos4FD7	fos/4 Fresnel, 7 in, Daylight HDR	7470A1011	7470A1211-SY	
fos4FL10	fos/4 Fresnel, 10 in, Lustr X8	7470A1020	7470A1220-SY	
fos4FD10	fos/4 Fresnel, 10 in, Daylight HDR	7470A1021	7470A1221-SY	

Additional ordering information (including accessories) can be found on page 10.

*Replace the -SY with -PY for pole-operation yoke.



PRODUCT SPECIFICATIONS

Source

LED details	Lumileds LUXEON® C
Max lumens (5/7/10 inch)	Lustr X8: 5,591/7,406/9,974 Daylight HDR: 6,584/9,703/12,331
Lumens per watt (5/7/10 inch)	Lustr X8: 32.2/41.7/35.5 Daylight HDR: 36/44.1/40.6
L70 rating (hours to 70% output)*	>54,000 hours

Color

Colors used	Lustr X8: Deep Red, Red, Amber, Lime, Green, Cyan, Blue, Indigo Daylight HDR: Deep Red, Red, Mint, Cyan, Blue, Indigo
Color temperature range	1900–10450 K
Calibrated array	Yes
Red shift	Yes (selectable)

Optical

Beam angle range	15–51°/13–55°/14–58°
Gate size	N/A
Aperture size (5/7/10 inch)	127 mm (5 in)/178 mm (7 in)/ 254 mm (10 in)
Pattern projection	No
Pattern size	N/A
Camera flicker control/Hz range	Yes: 5 kHz, 25 kHz

Control

Input method	5-Pin XLR, Multiverse wireless, NFC
Protocols	DMX-512, RDM, Multiverse, NFC
Modes (footprint)	7 modes (1–12 channels)
RDM configuration	Yes
UI type	Full color display
Local control	Yes
Onboard presets	Yes (12)
Onboard sequences	Yes
Onboard effects	Yes (12)
FixtureLink	Yes

Wireless

Band	2.400–2.480 GHz
Range	100 m indoors, 500 m line of sight (subject to conditions)
Max receivers	DMX: No limit RDM: Varies by transmitter used Multiverse Show Baby®: 585 Multiverse Transmitter: 5,000
Broadcast power	100 mW

Note: All LED sources experience some lessening of light output and some color shift over time. LED output will vary with thermal conditions. In individual situations, LEDs will be used for different durations and levels. This can eventually lead to minor alterations in color performance, necessitating slight adjustments to presets, cues or programs.

Electrical

Voltage range	100–240 VAC 24–36 VDC
Input method	AC via Neutrik TRUE1® TOP DC via 3-pin XLR
Inrush (first half-cycle) (5/7/10 inch)	120 V: 26.4 A/46.6 A/46.6 A 240 V: 54.8 A/110.2 A/110.2 A
Fixtures per circuit on standard R20 breaker* (5/7/10 inch)	7/7/5 (link up to 6/6/4 via Power Thru connector) Note: TRUE1 connector rated for 20 A (120 V / 60 Hz) and 16 A (240 V / 50 Hz)
Wattage (Typical) (5/7/10 inch)	Lustr X8: 120 V: 173.9 W/177.7 W/280.9 W 240 V: 171.1 W/172.9 W/275.6 W Daylight HDR: 120 V: 183 W/219.8 W/303.9 W 240 V: 180.1 W/219.9 W/298.5 W
Current draw (5/7/10 inch)	Lustr X8: 120 V: 1.47 A/1.51 A/2.38 A 240 V: 0.81 A/0.7 A/1.23 A Daylight HDR: 120 V: 1.55 A/1.87 A/2.57 A 240 V: 0.84 A/0.99 A/1.33 A
Note	Maximum fixture output may be reduced when powered by battery

*All measurements are for 120 V, 60 Hz. Results may vary in different regions.

Thermal

Ambient operating temp	0°C to 40°C (32°F to 104°F)
Fan (controllable)	Yes (yes)
Droop compensation	Yes
dB range	8.4–37.7 dBA
BTUs/hour (120 V) (5/7/10 in)	593/606/955

Physical

Materials	Cast and extruded aluminum
Color options	Two-tone (black and studio gray)
Mounting options	Yoke
IP rating	IP20
Weight (5/7/10 in)	7.8 kg (17.2 lb)/11.1 kg (24.5 lb)/ 13.4 kg (29.5 lb)
Included accessories	Yoke, color frame, laminated quick card, power cable and junior (28 mm) pin

Warranty

Fixture	5 years
LED array	10 years

Regulatory and Compliance

Approved regulatory standards	cETLus Listed Conforms to UL 1573 Certified to CSA C22.2 No. 166 CE Compliant FCC Compliant
-------------------------------	---

PRODUCT FEATURES



DEEP RED

Available in both Daylight HDR and Lustr X8 arrays, the deep red LEDs bring a nuanced richness to skin tones, costumes, and scenery.



WIRELESS DMX/RDM AND NFC

Configure and control your fixture from your phone or tablet, or use DMX/RDM with Multiverse from your console.



INTEGRATED ZOOM

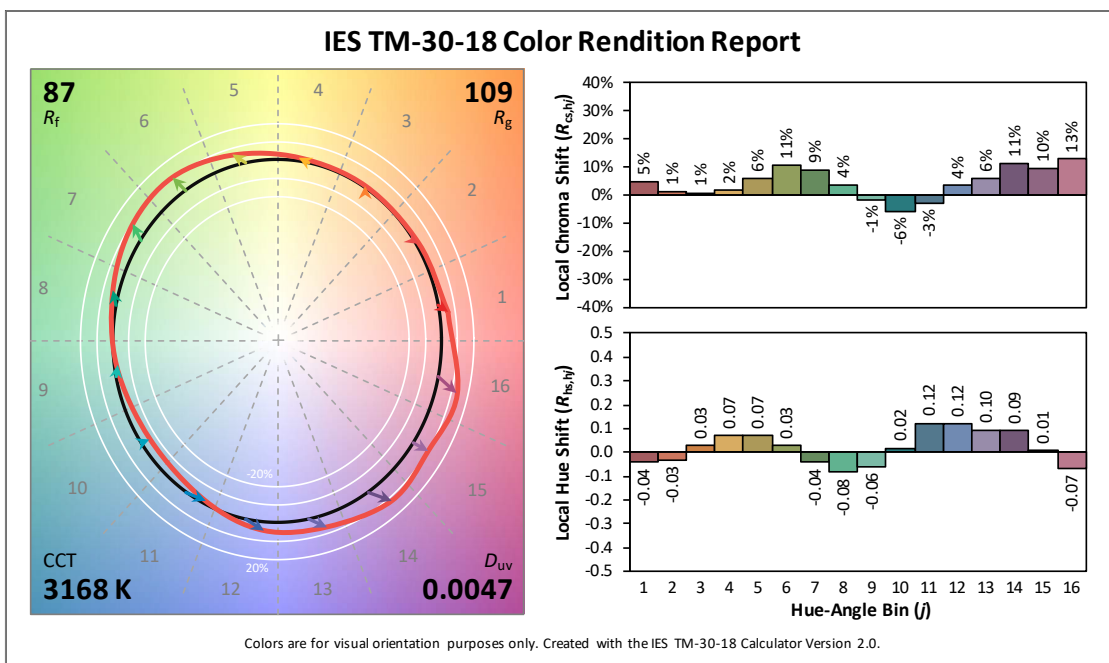
Controllable from either the front or back of the fixture. Adjust the beam and use accessories to control the edges.

COLOR METRIC INFORMATION

Additional Color Metrics

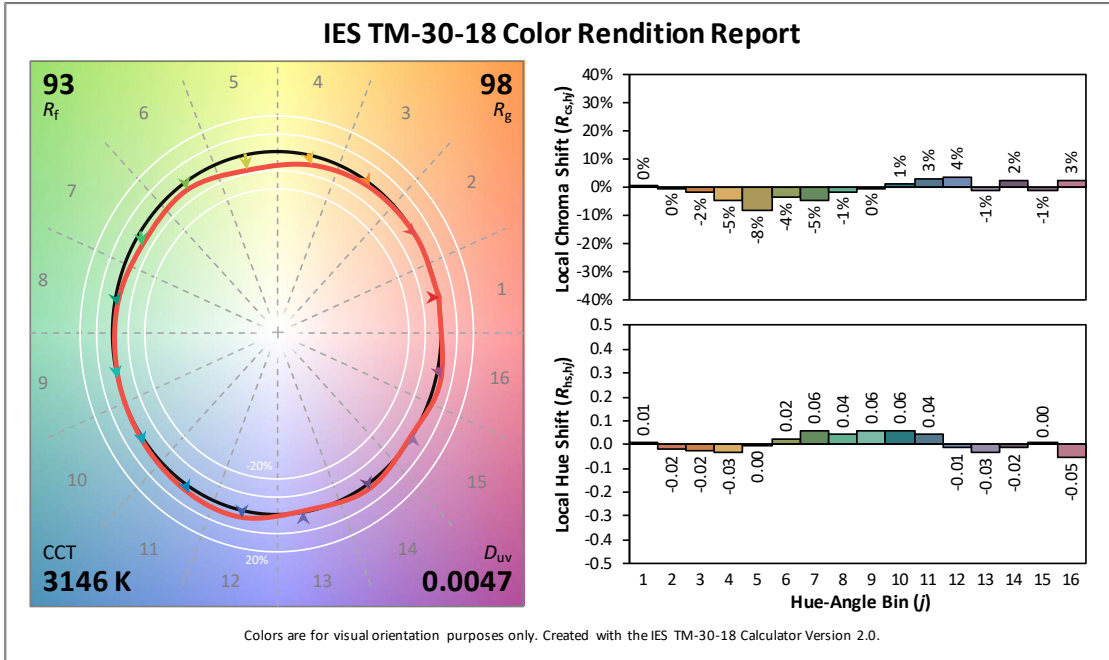
	LUSTR 3200 K	LUSTR 4500 K	LUSTR 5600 K	DAYLIGHT 3200 K	DAYLIGHT 4500 K	DAYLIGHT 5600 K
CRI R_a	97	97	98	85	92	95
TLCI	98	98	99	90	96	98
SSI	83	80	77	67	74	72

FOS/4 FRESNEL, 7 IN, LUSTR X8, 3200 K, BRIGHTEST TM-30-18

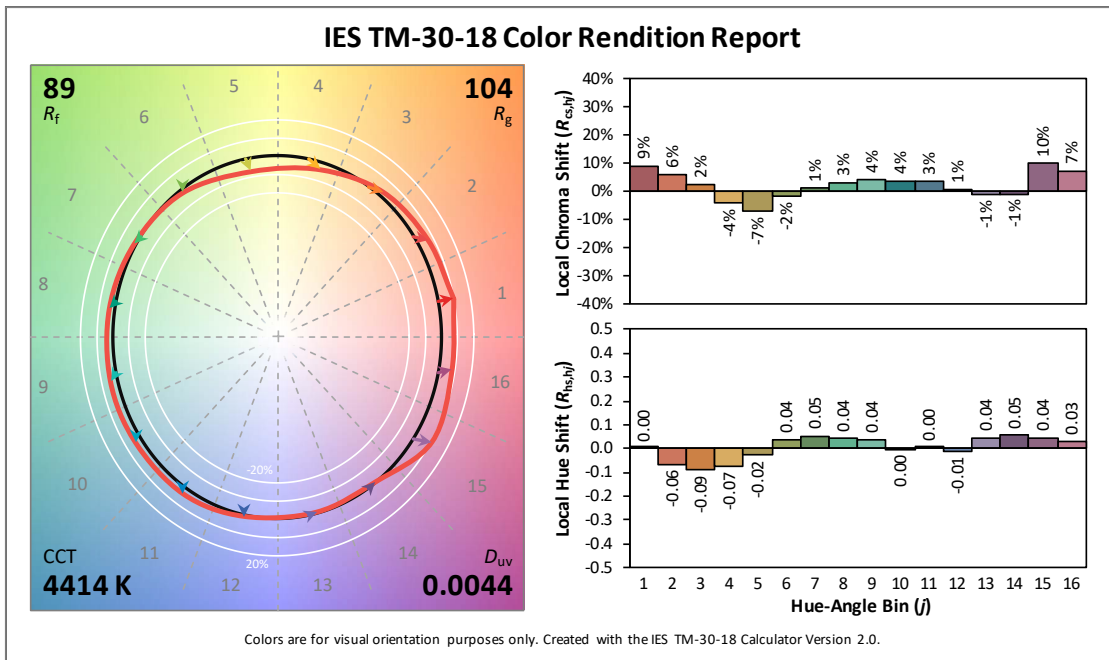


COLOR METRIC INFORMATION

FOS/4 FRESNEL, 7 IN, LUSTR X8, 3200 K, SPECTRAL TM-30-18

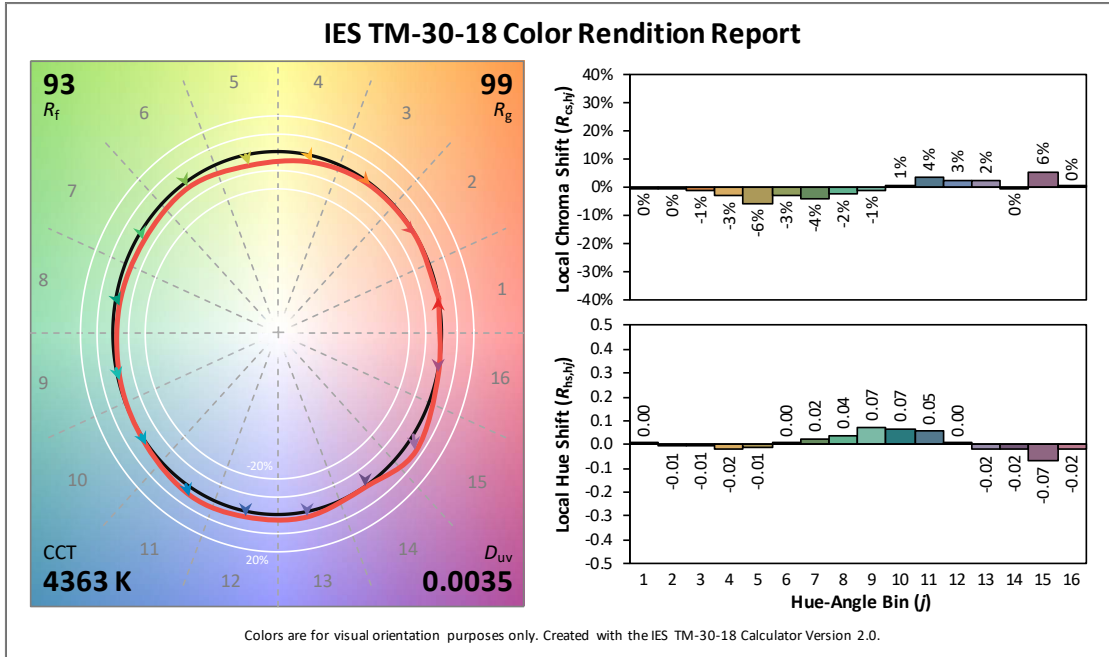


FOS/4 FRESNEL, 7 IN, LUSTR X8, 4500 K, BRIGHTEST TM-30-18

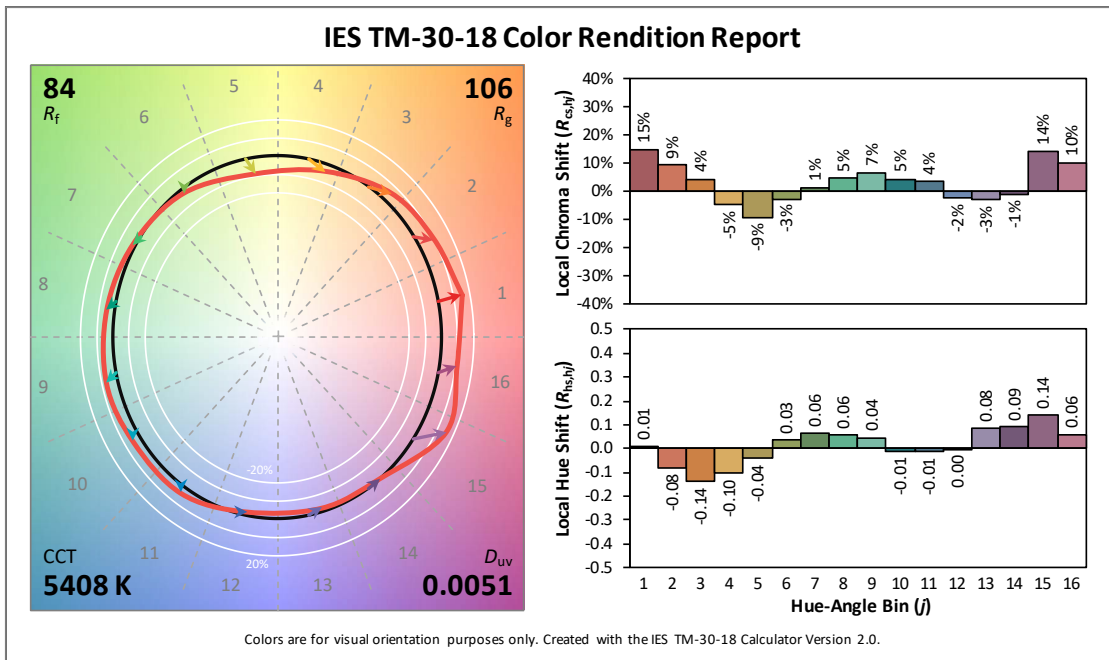


COLOR METRIC INFORMATION

FOS/4 FRESNEL, 7 IN, LUSTR X8, 4500 K, SPECTRAL TM-30-18

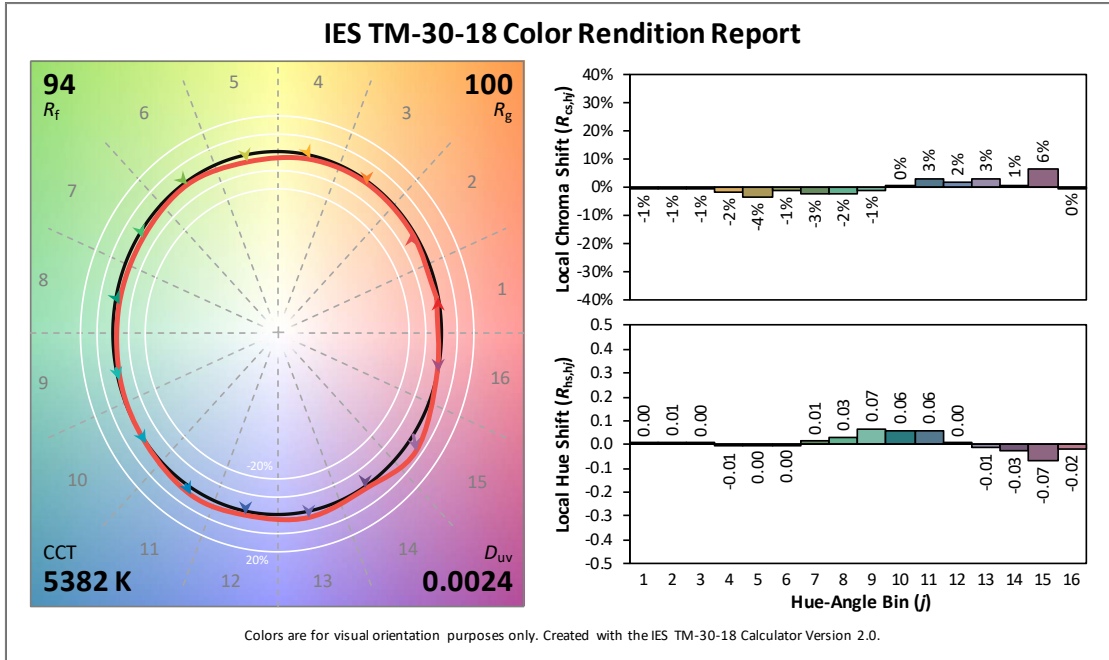


FOS/4 FRESNEL, 7 IN, LUSTR X8, 5600 K, BRIGHTEST TM-30-18

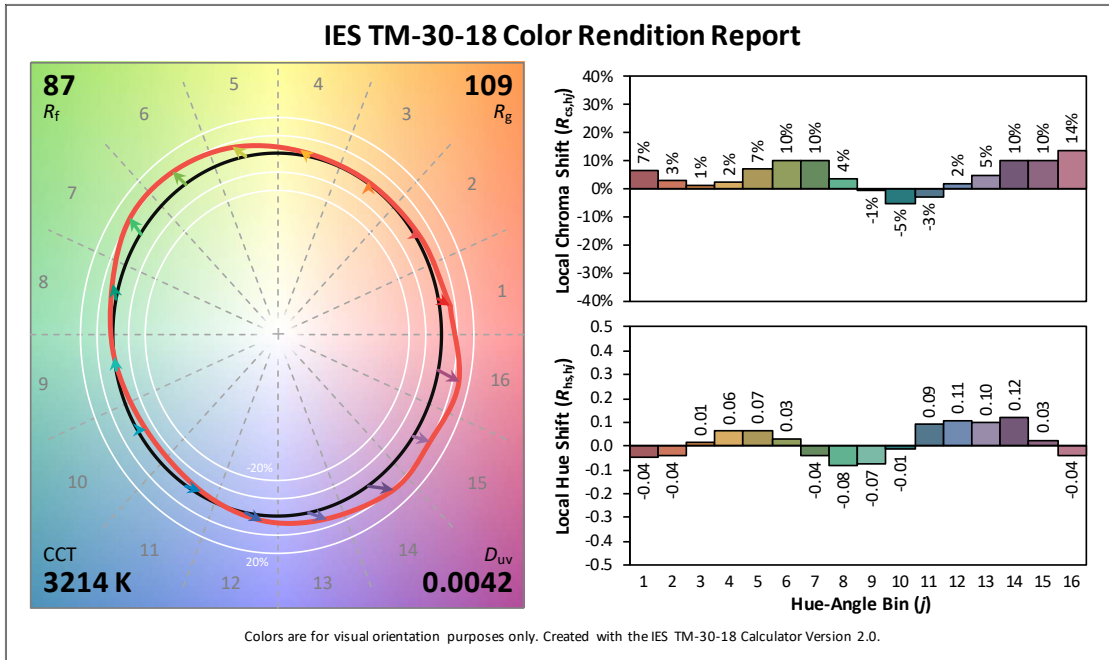


COLOR METRIC INFORMATION

FOS/4 FRESNEL, 7 IN, LUSTR X8, 5600 K, SPECTRAL TM-30-18

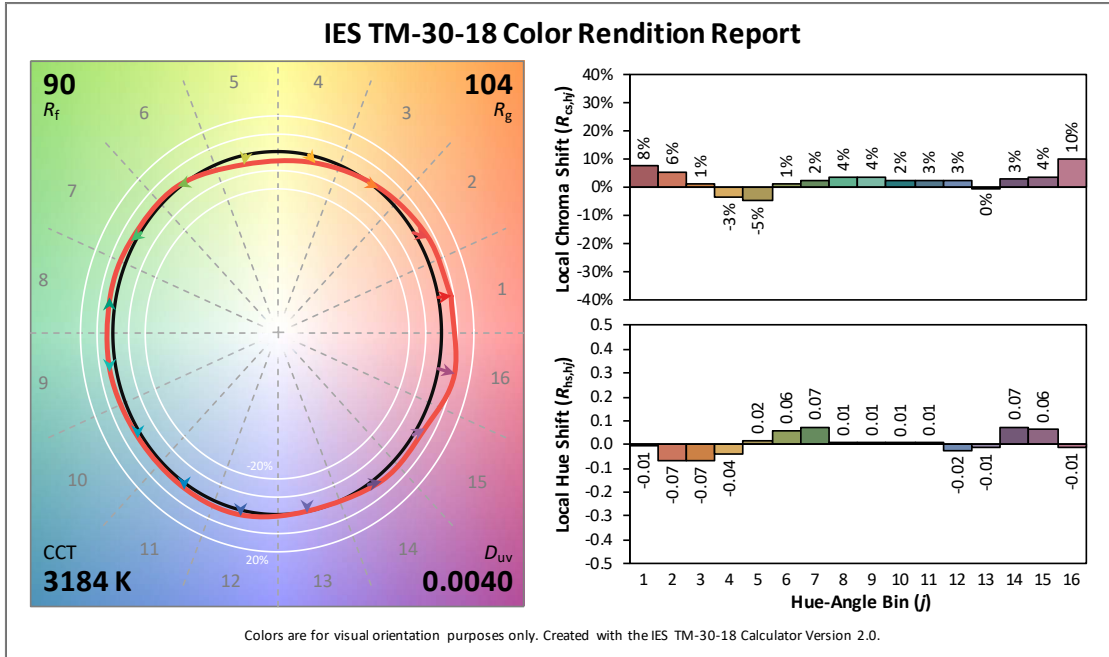


FOS/4 FRESNEL, 7 IN, DAYLIGHT HDR, 3200 K, BRIGHTEST TM-30-18

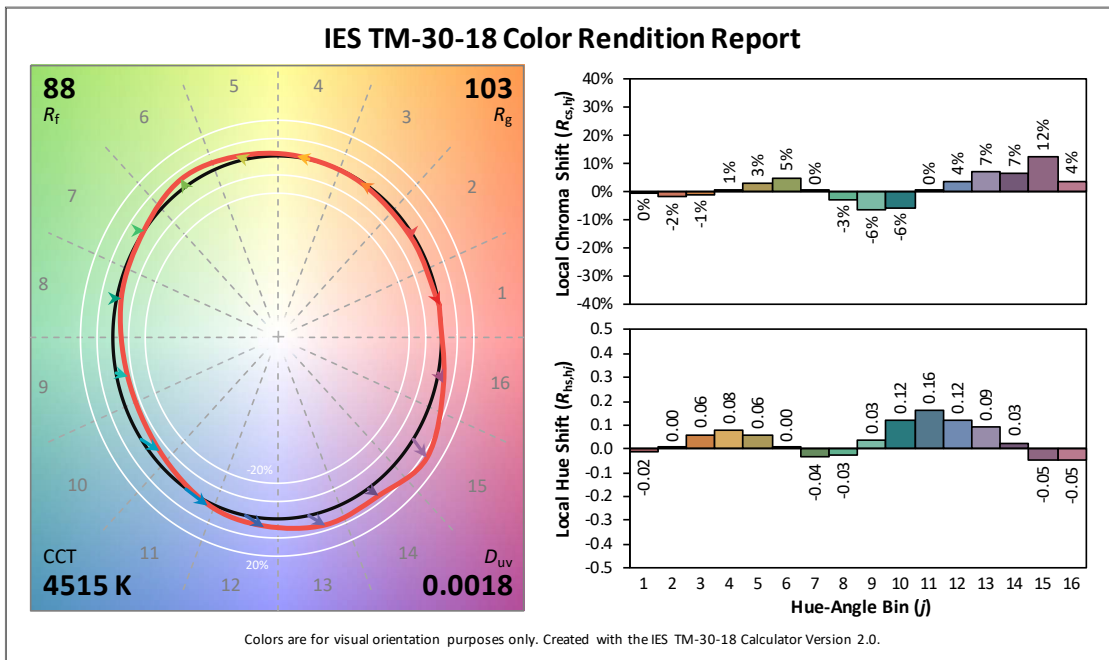


COLOR METRIC INFORMATION

FOS/4 FRESNEL, 7 IN, DAYLIGHT HDR, 3200 K, SPECTRAL TM-30-18

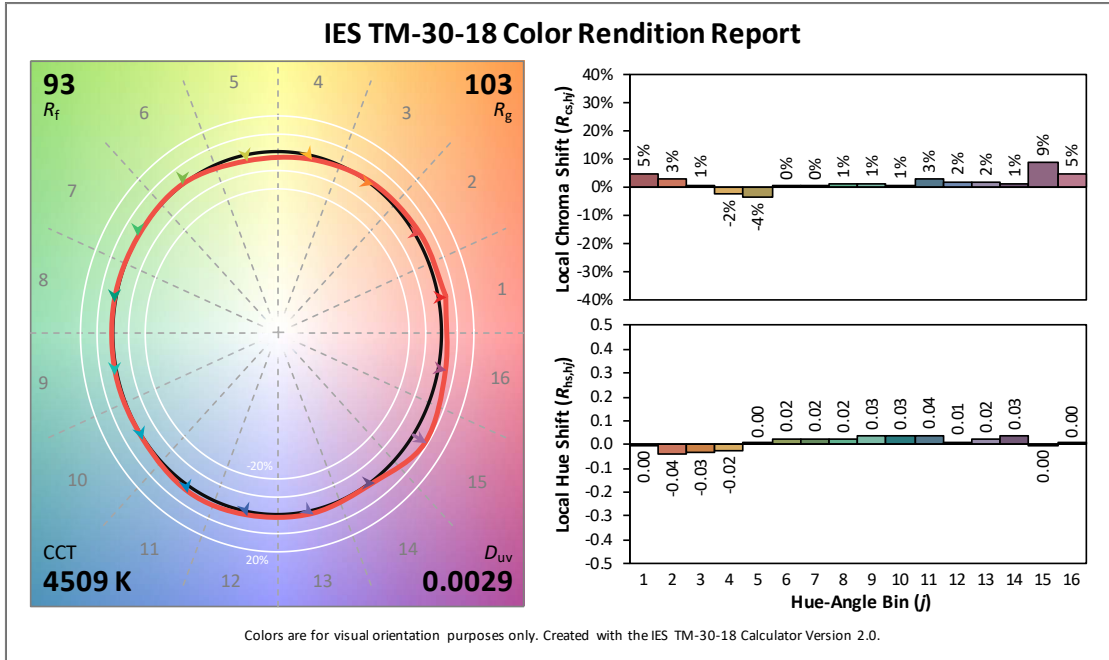


FOS/4 FRESNEL, 7 IN, DAYLIGHT HDR, 4500 K, BRIGHTEST TM-30-18

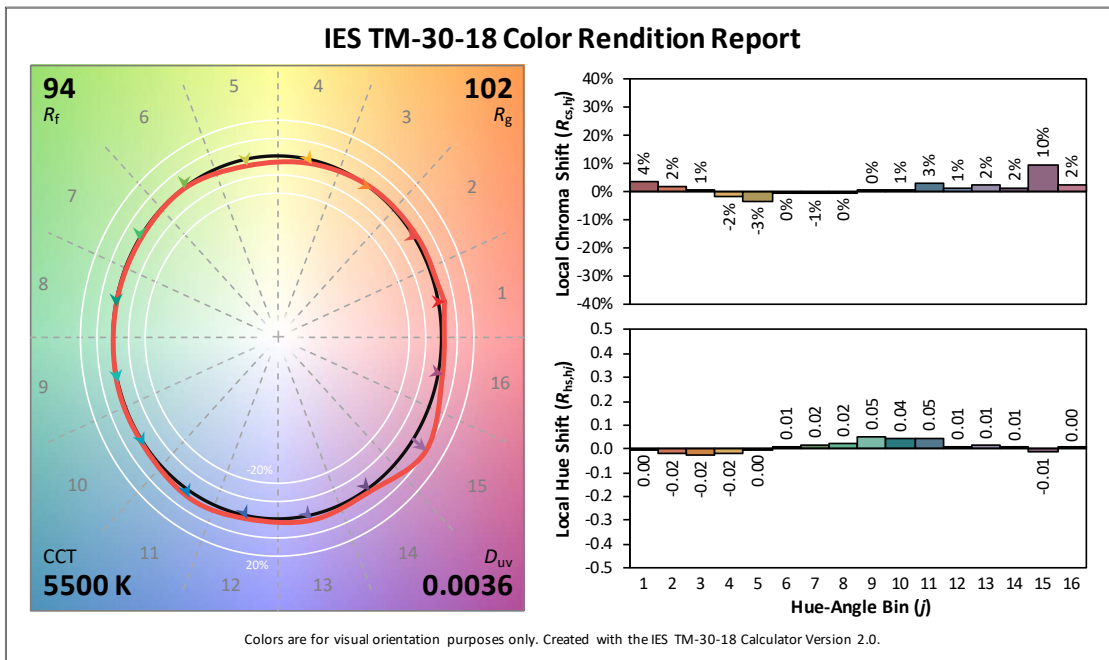


COLOR METRIC INFORMATION

FOS/4 FRESNEL, 7 IN, DAYLIGHT HDR, 4500 K, SPECTRAL TM-30-18

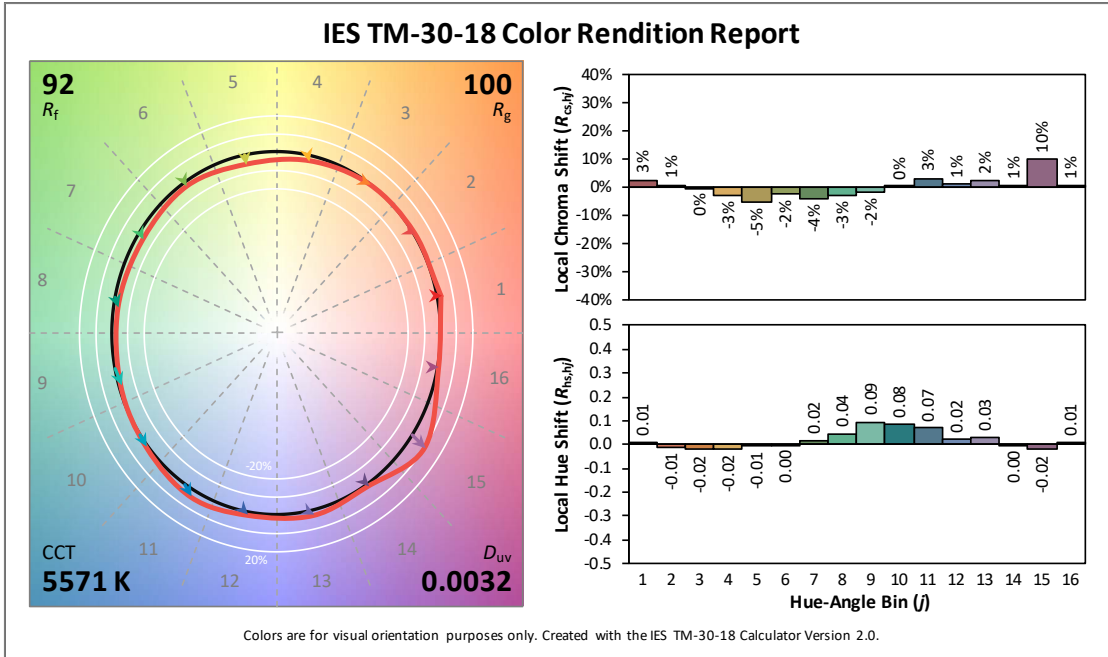


FOS/4 FRESNEL, 7 IN, DAYLIGHT HDR, 5600 K, BRIGHTEST TM-30-18



COLOR METRIC INFORMATION

FOS/4 FRESNEL, 7 IN, DAYLIGHT HDR, 5600 K, SPECTRAL TM-30-18



PHOTOMETRY INFORMATION

Lumens (Spot/Mid/Flood)

	5 IN		7 IN		10 IN	
	Lustr X8	Daylight HDR	Lustr X8	Daylight HDR	Lustr X8	Daylight HDR
Full On	2,929/4,639/5,591	3,167/5,285/6,584	4,137/ 6,680/ 7,323	5,256/ 8,711/ 9,703	5,830/ 9,328/ 9,974	7,084/ 11,535/ 12,331
3200 K	2,568/4,067/4,902	1,520/2,537/3,161	3,742/ 6,023/ 6,595	2,619/ 4,353/ 4,948	4,746/ 7,594/ 8,120	3,387/ 5,515/ 5,896
4500 K	2,917/4,602/5,568	2,858/4,770/5,942	4,190/ 6,762/ 7,406	4,770/ 7,897/ 8,811	5,446/ 8,713/ 9,317	6,082/ 9,903/ 10,586
5600 K	2,337/3,701/4,461	3,078/5,136/6,398	3,728/ 6,015/ 6,595	4,856/ 8,048/ 8,979	4,321/ 6,914/ 7,393	6,063/ 9,873/ 10,554

For full photometric data, use the Set Light app (etconnect.com/Apps) or consult the photometry and TM-30-18 data available for download at etconnect.com/fos4FresnelDownloads.

ADDITIONAL ORDERING INFORMATION

Power Input Cables

Use information below to order 5 ft power input leads with factory-fitted connectors. CE fixtures ship with 2 m powerCON® TRUE1 TOP to bare end (2500B7035).

MODEL	DESCRIPTION	PART NUMBER (NOT CE)
T1PA-A	5 ft TRUE1 TOP to parallel blade U-ground (Edison) connector	2500B7029-A
T1PA-B	5 ft TRUE1 TOP to 20 A two-pin and ground (stage-pin) connector	2500B7029-B
T1PA-C	5 ft TRUE1 TOP to grounded 20 A twistlock connector	2500B7029-C
T1PA-X	5 ft TRUE1 TOP to bare-end power input lead	2500B7029-X

Note: One cable of your choice is included with each fixture.

Power Thru Jumpers

Power thru jumpers connect to output (thru) connectors to provide power to successive luminaires inline.

MODEL	DESCRIPTION	PART NUMBER
T1PJ-5	5 ft TRUE1 TOP to TRUE1 TOP fixture to fixture jumper (ETL only)	2500B7030
T1PJ-10	10 ft TRUE1 TOP to TRUE1 TOP fixture to fixture jumper (ETL only)	2500B7031

Accessories

TYPE	FOS/4 5 IN 159 mm (6.25 in)		FOS/4 7 IN 190 mm (7.5 in)		FOS/4 10 IN 250 mm (10 in)	
	Model	Part No.	Model	Part No.	Model	Part No.
Top Hat	400TH	PSF1021	400PTH6	PSF1023	TH10	PSF1198
Half Hat	400HH	PSF1026	400PHH	PSF1027	HH10	PSF1199
Color Frame	400CF	7060A3043	407CF	7061A3007	CF10	PSF1201
Barn Door (8-leaf)	FRESBD5	PSF1208	FRESBD7.5	PSF1191	FRESBD10	PSF1206

Additional Accessories

MODEL	DESCRIPTION	PART NUMBER
400SC	Safety cable	7060A1022
400CC	C-clamp	7060A2009
400PTH3	Top hat, 3 in, 190 mm (7.5 in)	PSF1022
400WB	Weighted base	PSF1032
400XBTH	Cross baffle top hat, 190 mm (7.5 in)	PSF1031
400L	Egg crate louver, 190 mm (7.5 in)	PSF1028
fos4F7PO	Pole-operating yoke for fos/4 7 inch Fresnel	PSF1190
400BD	Barn door, 4-leaf with extension ring, 190 mm (7.5 in), black (for use in inner accessory slot to reduce light leak)	PSF1019
400BDS	Barn door, 4-leaf with short extension ring, 190mm (7.5 in), black	PSF1095
BDS	Studio barn door, 4-leaf, 190 mm (7.5 in), black	PSF1101

Multiverse

MODEL	DESCRIPTION	PART NUMBER
CT-5900	City Theatrical Multiverse Show Baby	4360A1091
CT-5903	City Theatrical Multiverse Node 2.4 GHz	4360A1093
CT-5911	City Theatrical Multiverse Transmitter 2.4 GHz	4360A1095

PHYSICAL INFORMATION

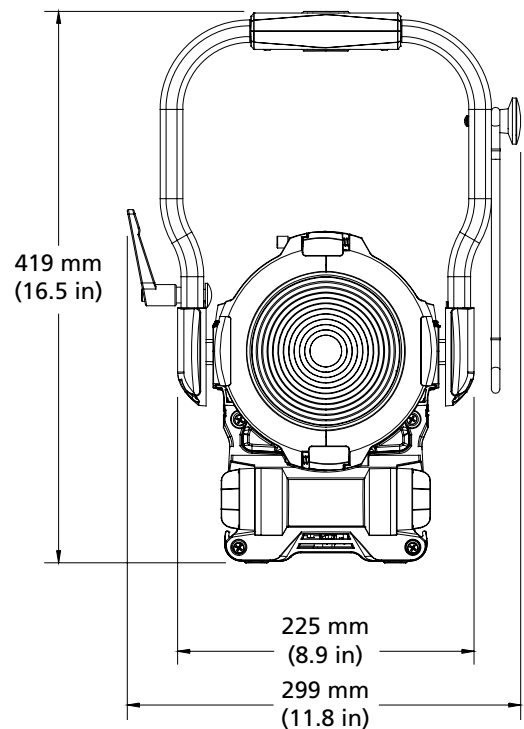
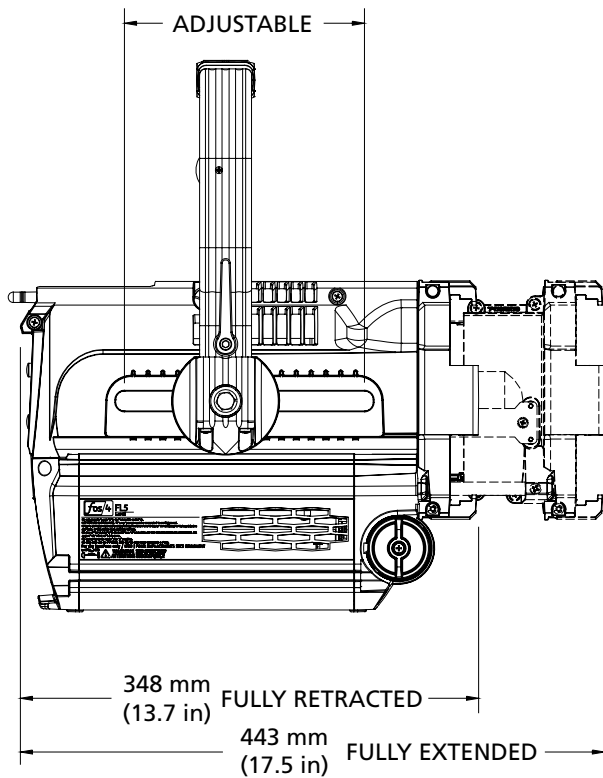
fos/4 Fresnel 5 in Dimensions

MODEL	HEIGHT		WIDTH		DEPTH	
	mm	in	mm	in	mm	in
fos/4 Fresnel 5 in	419	16.5	313	11.8	348	13.7
					443	17.5

Depth measurements reflect the fully extended and fully retracted zoom positions

fos/4 Fresnel 5 in Weights

MODEL	WEIGHT		SHIPPING WEIGHT	
	kg	lb	kg	lb
fos/4 Fresnel 5 in	7.8	17.2	10.0	21.9



PHYSICAL INFORMATION

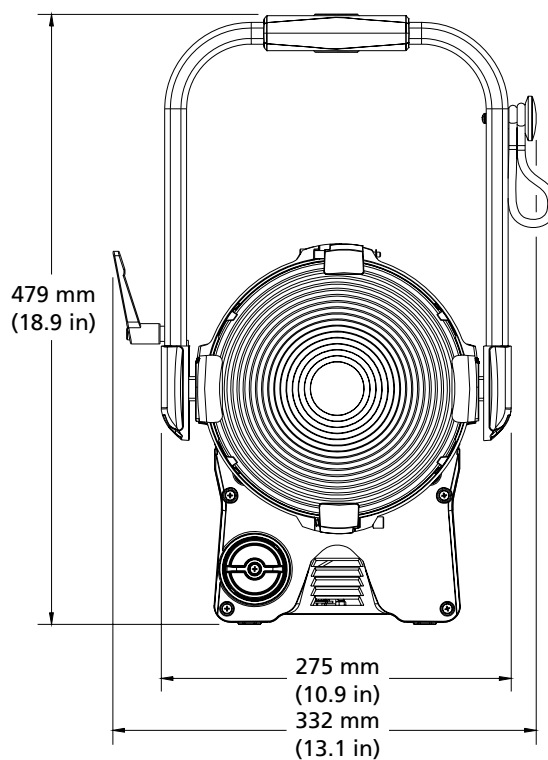
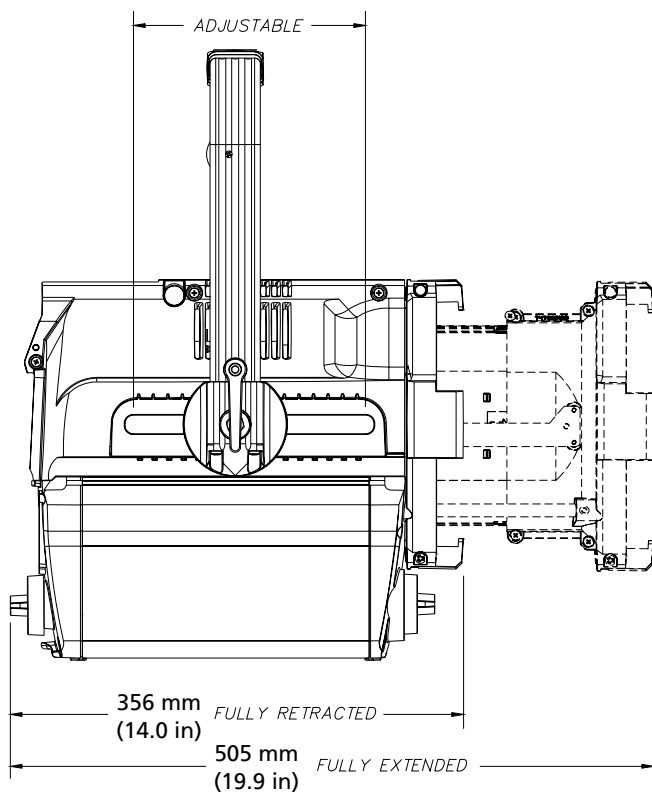
fos/4 Fresnel 7 in Dimensions

MODEL	HEIGHT		WIDTH		DEPTH	
	mm	in	mm	in	mm	in
fos/4 Fresnel 7 in	479	18.9	313	12.4	356	14.0
					505	19.9

Depth measurements reflect the fully extended and fully retracted zoom positions

fos/4 Fresnel 7 in Weights

MODEL	WEIGHT		SHIPPING WEIGHT	
	kg	lb	kg	lb
fos/4 Fresnel 7 in	11.1	24.5	13.2	29.0



PHYSICAL INFORMATION

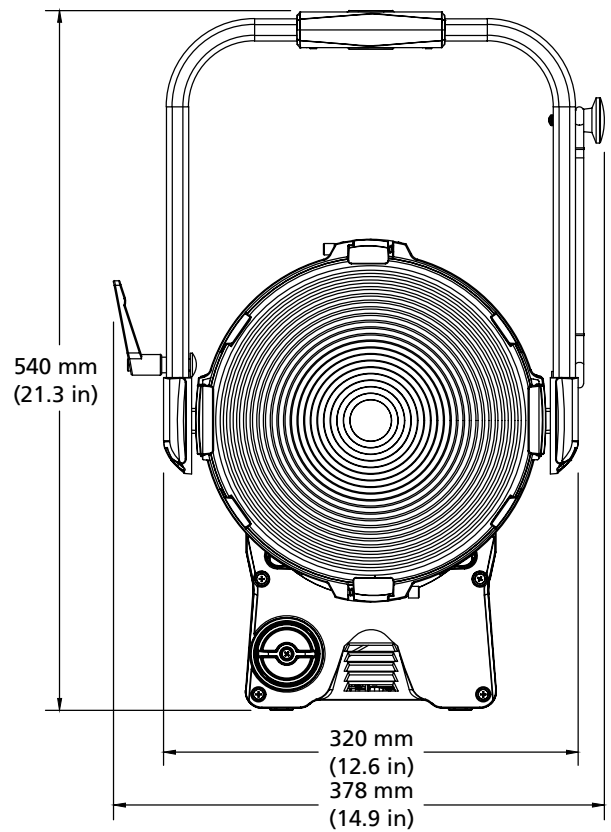
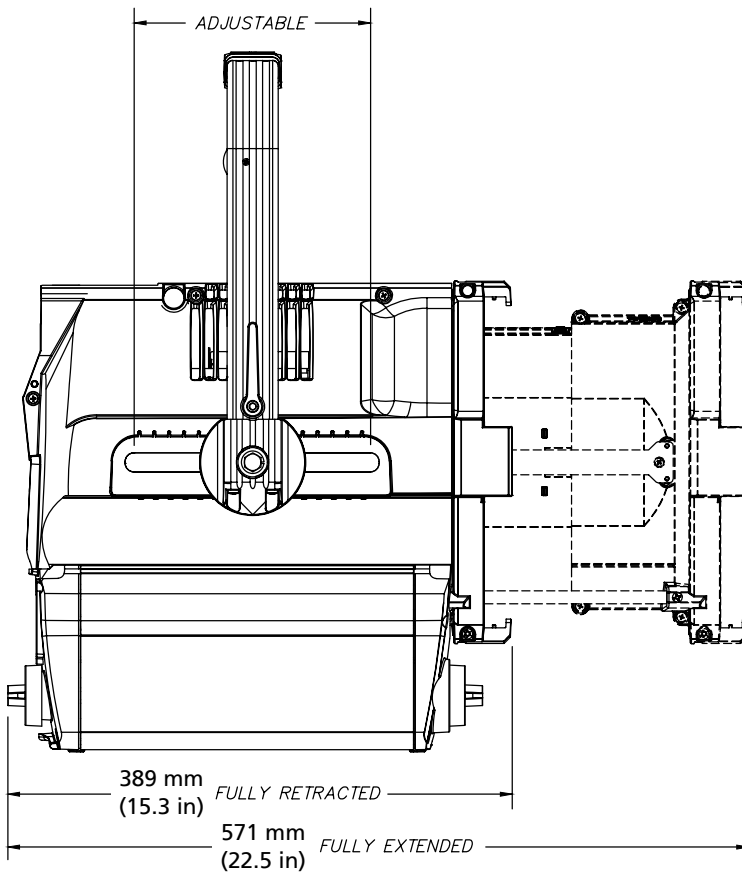
fos/4 Fresnel 10 in Dimensions

MODEL	HEIGHT		WIDTH		DEPTH	
	mm	in	mm	in	mm	in
fos/4 Fresnel 10 in	540	21.3	378	14.9	389	15.3
					571	22.5

fos/4 Fresnel 10 in Weights

MODEL	WEIGHT		SHIPPING WEIGHT	
	kg	lb	kg	lb
fos/4 Fresnel 10 in	13.4	29.5	16.3	35.8

Depth measurements reflect the fully extended and fully retracted zoom positions



Corporate Headquarters • Middleton, WI USA
 Global Offices • London, UK • Rome, IT • Holzkirchen, DE • Paris, FR • Hong Kong
 Dubai, UAE • Singapore • New York, NY • Orlando, FL • Los Angeles, CA • Austin, TX
 ©2024 ETC. All Rights Reserved. All product information and specifications subject to change. Rev F 2024-09
 *Trademark and patent info: etconnect.com/IP • Third-party license agreement info: etconnect.com/licenses