

CLUSTER B4 W



- 4 x 300W White
- WarmWhite + Amber + Red LED's
- Up to 40.000lm luminous flux
- C-Lok Cluster System
- Magnetic Pre-Link system

All CLUSTER products can be easily connected both horizontal and vertically, by using the integrated C-Lok system. The series is made to enable toolless multiple array configurations, scalable from a single vertical line, to massive matrix like arrays. Due IP65 rating all products are outdoor ready and protected from ingress of dust and rain. There are several mounting options – Camlock mounts on top and back enable the use of Omega-Brackets, Yokes can be attached to mounting points on all sides, or the internal C-Lok system can be used for seamless inter-connection. Pre-Link Magnets on top and side help to align the fixtures, giving an incredible user-friendly operation and save interlocking. A specially designed rigging bracket is used for seamless connection of multiple Blinders, to avoid gaps due to bracing of the truss structure by variable, sliding mounting positions. Floor extensions can be used to create vertical structures in single or double rows.

In the warmwhite versions, an emulated 'shift to warm' warms the color temperature of the light as it dims. To deliver a perfect classic tungsten look, Amber and Red LED's are mixed with the highpower warmwhite LED's when decaying.



Accessories



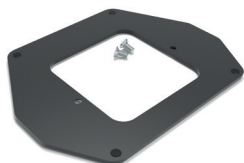
Yoke 4.2
(Included)



Yoke 4.3
(Optional)



Omega Bracket



Floor Extension



Rigging Bracket G2



Floor Bracket



Cases

Technical Data

Photometrics

| | |
|--------------------------------|---|
| LED expected lifetime | 50.000 hours |
| Lightsource | 4x 300W Warm-White + Amber + Red |
| Type of optical system | Reflector with Compound Eye Lens |
| LED PWM Frequency | selectable 800Hz, 1.200Hz, 2.000Hz, 3.600Hz, 12kHz, 25kHz |
| Beam angles (50%) | 50° |
| Maximum Field angles (10%) | 87° |
| Color temperature range | 2.900K |
| CRI/Ra | 80 |
| Efficacy (max) | 25,19 lm/W |
| Luminous flux | 34.000 lm |
| illuminance Lux @ 1m / 3,3ft | 37870lx / 3518fcd |
| illuminance Lux @ 3m / 9,8ft | 4295lx / 399fcd |
| illuminance Lux @ 5m / 16,4ft | 1535lx / 143fcd |
| illuminance Lux @ 7m / 23,0ft | 795lx / 74fcd |
| illuminance Lux @ 10m / 32,8ft | 395lx / 37fcd |

Thermal Characteristics

| | |
|------------------------------|---|
| Cooling | Active, Forced Air, Temperature-regulated |
| Humidity (max.) | 95% |
| Temperature range, Operating | -40°C to 45°C |
| Temperature range, Start-up | -20°C to 45°C |
| Temperature range, Storage | -40°C to 80°C |
| Thermal Protection | Automatic overtemperature protection |

Electrical Data

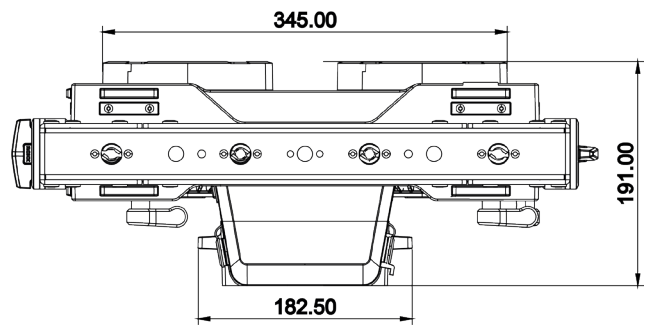
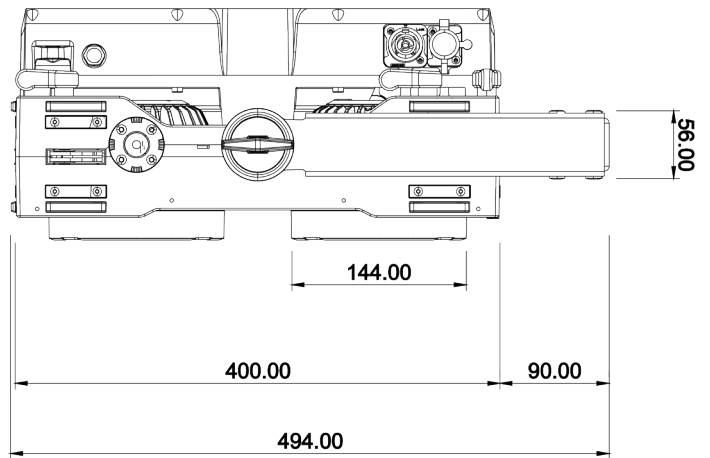
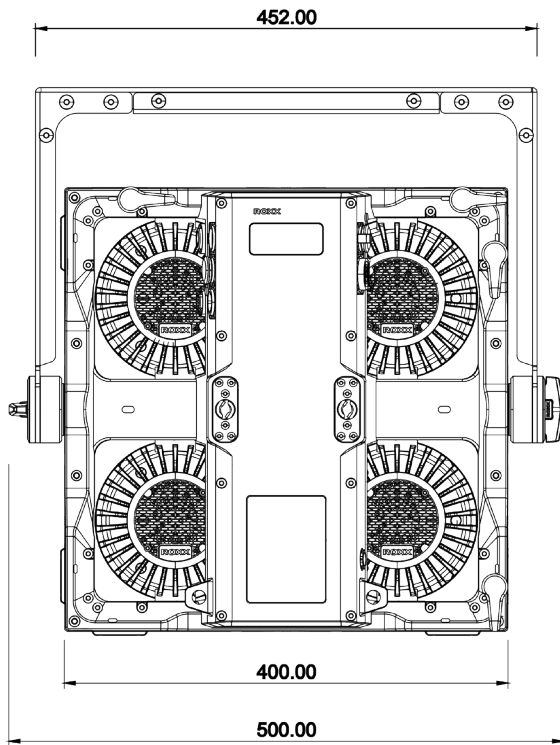
| | |
|--|---|
| AC Power, max | 90 – 285V 50/60Hz |
| AC Power, nominal | 100 – 240V 50/60Hz |
| Electrical protection | Overload protection with automatic recover |
| Max power consumption (Boost Mode) | 1350W |
| Constant power consumption (Illumination Mode) | 440W |
| Power Max. Out | 9A @ 230V / 2A @ 120V |
| Power Linking @ Max Power Consumption (Boost Mode) | 1 unit @ 230V / 0 unit @ 120V |
| Power Linking @ Constant Power Consumption (Illumination Mode) | 7 units @ 230V / 2 units @ 120V |
| Power Factor | 0.944 PF (230V) / 0.998 PF (120V) |
| Power Supply Unit | Inbuilt auto-ranging electronic switch-mode |

Operator & Controller

| | |
|------------------------|---|
| DMX Functions | Master Dimmer, Master Dimmer Fine, Shutter, Duration, Dimmer 1-4, Dimmer 1-4 Fine, Dimmer Curve, Dimmer Response, Redshift, Effect, Device Settings |
| DMX channels | 1CH DWE, 4-1CH DWE, 4-2CH DWE, 7CH STROBE, 9CH STANDARD (default), 12CH EXTENDED, 17CH EXTENDED |
| DMX modes | 7 |
| Protocol | USITT DMX512A RDM ANSI E1.20 |
| Setting and addressing | OLED graphical display / 4 controls RDM ANSI E1.20 |
| Standalone mode | Auto Program, Quick Light |
| Wireless DMX | n.a. |

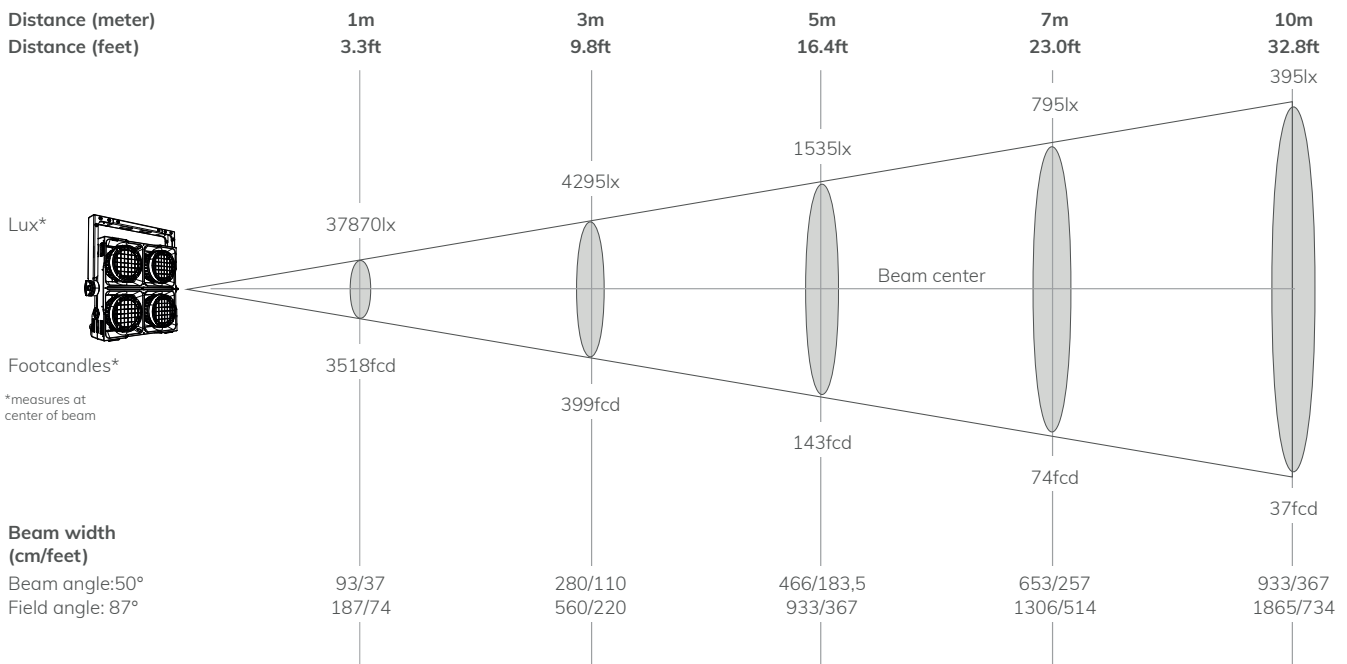
| Operator & Controller | |
|--|--|
| Indicator | OLED graphical display |
| Controls | 4 touch sensitive, backlighted controls |
| Strobe | 0-20Hz |
| DMX I/O | IP65 XLR 5-pin male/female |
| Power In | TRUE1 compatible input & link-thru sockets |
| USB Firmware Update | IP65 USB socket |
| Dimensions & Weight | |
| IP class | IP65 |
| IK class | IK08 |
| Body material | Aluminum, Nylon |
| Lens material | Tempered glass front |
| Net dimensions (w x h x d) | 400 x 400 x 191mm |
| Net dimensions inches | 15,75 x 15,75 x 7,52 inches |
| Net weight (incl. Yoke) | 16,2 kg (35,71lbs) |
| Tilt | 360° |
| Tilt Locking System | Locking system with tothing and angle indicator |
| Included / Optional | |
| Included items | Yoke 4.2, 2m Power Cable, Puk |
| Optional Accessories | Yoke 4.3, Yoke Floor Extension, Rigging Bracket G2, Omega Bracket ST, Floor Bracket |
| Color options | Black – RAL 9004 (Standard) Custom color – any RAL (on request) |
| Installation | |
| Mounting point by Yoke (included) | 3x 13mm / 1/2" holes, 1x centric TV Spigot attachment, 3x integrated Camlocks for Omega Brackets |
| Mounting point on fixture | 1/4 turn Omega Bracket on top and rear side |
| Mounting point with optional Rigging Bracket | 2x 13mm / 1/2" holes for Clamp fixation |
| Orientation | Any |
| Rigging possibilities | Hanging or ceiling / pendant mount |
| Safety features | 2x rear mount for safety wire |
| Minimum distance from flammable materials | 0,3 meters (11,8 inch) |

Technical Drawing



Luminaire Photometrics

B4 W



Lux*

Footcandles*

*measures at center of beam

Beam width (cm/feet)

Beam angle: 50°
Field angle: 87°

Order Number

| CLUSTER | Order Number |
|-------------|--------------|
| B2 FC | 13202101 |
| B2 W | 13202001 |
| B4 FC | 13204101 |
| Accessories | Order Number |
| Yoke 4.2 | 13907701 |
| Yoke 4.3 | 13907101 |

| Accessories | Order Number |
|----------------------|--------------|
| Floor Extension | 13907201 |
| Floor Bracket | 13908501 |
| Rigging Bracket G2 | 13907411 |
| Case 4 pcs. / 8 pcs. | 13907411 |
| Case 2 pcs / 4 pcs. | 13907511 |
| Omega Bracket | 90900002 |

Further Versions



CLUSTER B4 FC



CLUSTER B2 W



CLUSTER B2 FC

