

Source Four Mini Series



Type(s)  
Project  
Date  
Notes

GENERAL INFORMATION

The Source Four Mini LED can go where no full-sized Source Four has gone before. ETC’s 12 W Source Four Mini LED features the same crisp optics, user-friendly functionality, and sleek look of the legendary Source Four fixture, but in a compact format at a fraction of the size.

The Source Four Mini LED has four field-angle choices and comes in a portable version for mounting with a clamp, a canopy-mount, or track-mount design. Surprisingly bright for its size, the Mini LED offers crystal-clear image projection and a bright, even field.

APPLICATIONS

- Museums
- Retail
- Restaurants
- Hospitality
- Theatres

FEATURES

- Rugged, die-cast fixture body
- 19°, 26°, 36°, and 50° interchangeable lens tubes
- Long-life dimmable white LED source available in a wide variety of color temperatures and color rendering levels
- Three-plane shutters
- Multiple accessories available for color, pattern, and filtering
- Available for portable, canopy, and track mounting
- F-Drive compatible versions available
- Custom paint colors available; contact ETC

Source Four Mini LED Body Only - Order Lens Tube Separately

MODEL	COLOR TEMP	CRI	VOLTAGE	MOUNTING	COLOR
4ML - Source Four Mini LED	27 - 2700 K 30 - 3000 K 40 - 4000 K 50 - 5000 K	80 - Standard 90 - Gallery  -Gallery available with 2700 K and 3000 K options. -Standard available in 3000 K, 4000 K and 5000 K options	120 - 120 V 230 - 230 V FD - F-Drive Compatible	OT - OneTrack* T - DataTrack / EUTRAC** C - Canopy P - Portable PU - Portable (UK 13A Plug) PE - Portable (EU Schuko Plug)  -120-P comes with an Edison Plug - F-Drive compatible available in C and P only	BLANK - Black 1 - White 8 - Custom

To complete the form, simply select an option at the bottom of each column to populate the last row with your desired model number.

Color Options: Fixtures ship standard in black or white. For additional colors, please contact ETC.

\*Only available in 120 V

\*\*Please use our new and improved OneTrack for all new installations. DataTrack luminaires are intended for legacy installations only.



PRODUCT SPECIFICATIONS

Source

LED details	Lumileds 1204HD
Max field lumens	671 (5000 K, 50°)
Lumens per watt	43.0
L70 rating (hours to 70% output)	35,000

LED Color Temperature Data

Available color temperature options	2700 K / 3000 K / 4000 K / 5000 K
CRI options	90 CRI - 2700 K and 3000 K 80 CRI - 3000 K, 4000 K and 5000 K
Red shift	No

Optical

Field angle options	19° / 26° / 36° / 50°
Pattern projection	Yes
Pattern size	E (37.5 mm with a 25.4 mm image area). Holder included
Front accessory slot	Dual, captive accessory slots with 70 mm (2.75 in) media frame (included)

Electrical

Voltage range	100–120 V 50/60 Hz 230–240 V 50/60 Hz
Power cord length (portable VAC variant only)	190 cm (75 in)
Track adapter (Track variant only)	120 V - OneTrack or DataTrack 230 V - EUTRAC 3-circuit track adapter  Global Trac Pro (GA69) or Halo compatible (AD1) adapters available on request. AD1 adapter is compatible with Halo single-circuit and two-circuit track systems
Wattage typical/max	12 W Typical / 14 W Max
Inrush (first half-cycle)	120 V - <1 A 230 V - <1 A
Dimming compatability	Forward and reverse phase (120/230 VAC versions)

Thermal

Ambient operating temp	0°C to 40°C (32°F to 104°F)
Fan (controllable)	No fan
BTUs/hour	40.95 typical / 47.77 max

F-Drive Variant Details

Approved drivers	F-Drive R12 CC150 Output Card Model Number: FD-ROC-CC150  F-Drive W1 CC Wall Mount Model Number: FDW1CCD and FDW1ECCD
Maximum units per approved driver	FD-ROC-CC150: four (4) FD-W1-CCD: four (4) FD-W1E-CCD: four (4)
Luminaire operating current	350 mA
Input type	RJ45 in and thru connector Minimum required conductor gauge 23 AWG / 0.25 mm <sup>2</sup>
Control	DMX control via F-Drive compatible models only via R12 CC150 or W1 CC drivers
Complete driver data	<a href="http://etcconnect.com/F-Drive">etcconnect.com/F-Drive</a>

Physical

Materials	Die-cast aluminum (A380 grade)
Color options	Black, white, or custom color
Mounting options	Track, Portable, or Canopy
Track adapter/Canopy color	Color matched to fixture
IP rating	IP20
Weight	Track Mount: 1.1 kg (2.4 lb) Portable: 1.2 kg (2.6 lb) Canopy: 1.2 kg (2.6 lb)
Included accessories	E-size pattern holder Media frame Included with lens tube (both sold separately)

Warranty

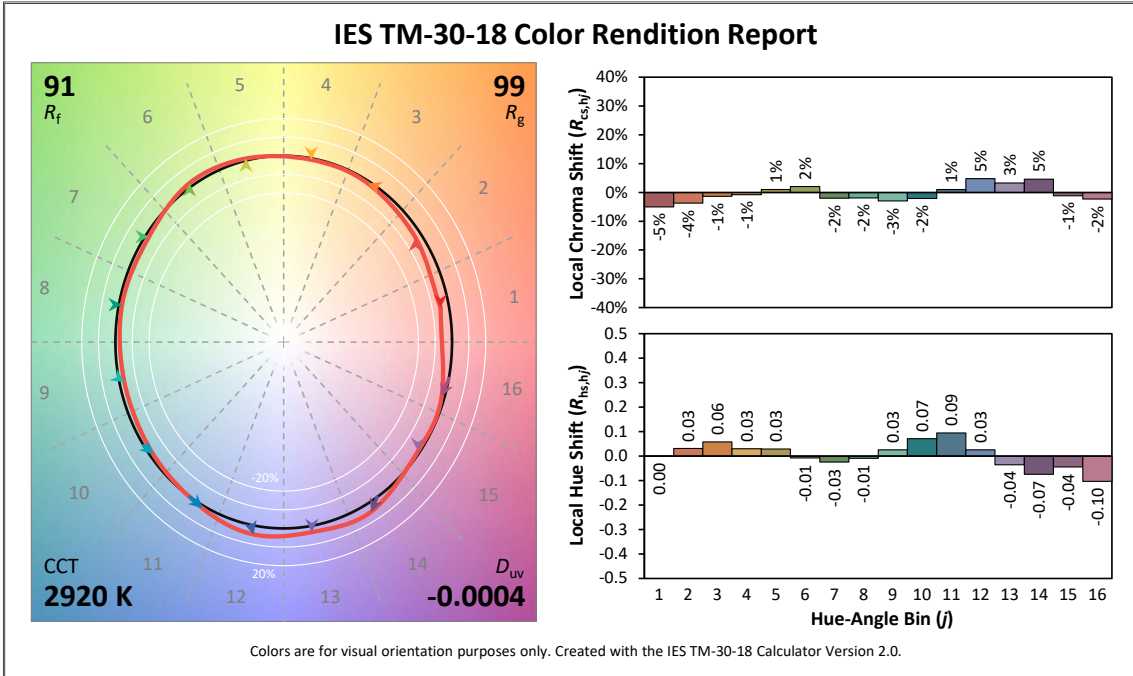
Fixture	5 years
LED array	10 years

Approved Regulatory Standards

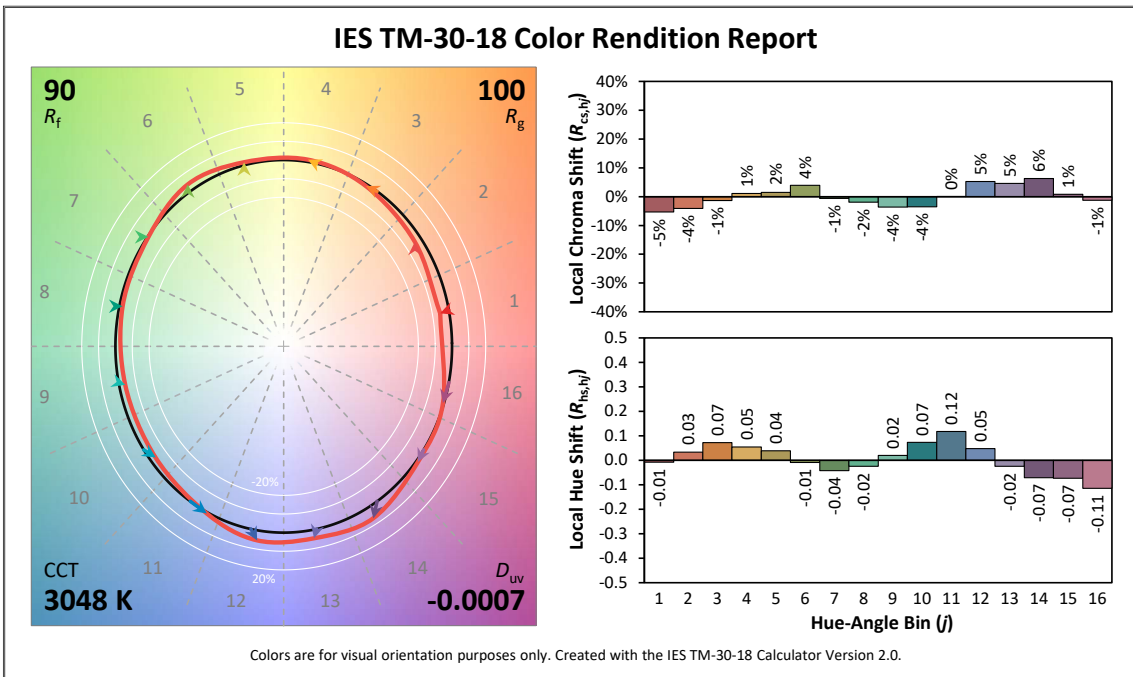
All versions	cETLus Listed CE Compliant UKCA Compliant
Portable version (including F-Drive and standard models)	Conforms to ANSI/UL STD.153 Certified to CSA STD. C22.2 No: 250.4
Track versions	Conforms to ANSI/UL STD.1574 Certified to CSA STD. C22.2 No: 9.0
Canopy version	Conforms to ANSI/UL STD.1598 Certified to CSA STD. C22.2 No: 250

COLOR METRIC INFO

SOURCE FOUR MINI LED 2700 K GALLERY (90 CRI) TM-30-18

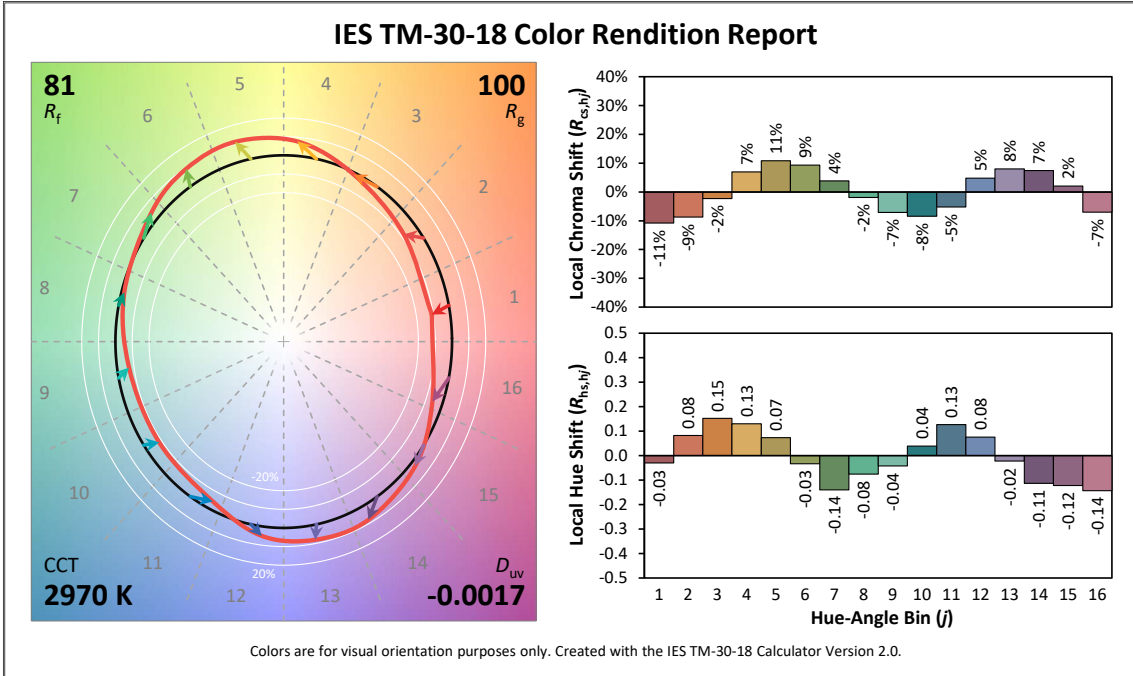


SOURCE FOUR MINI LED 3000 K GALLERY (90 CRI) TM-30-18

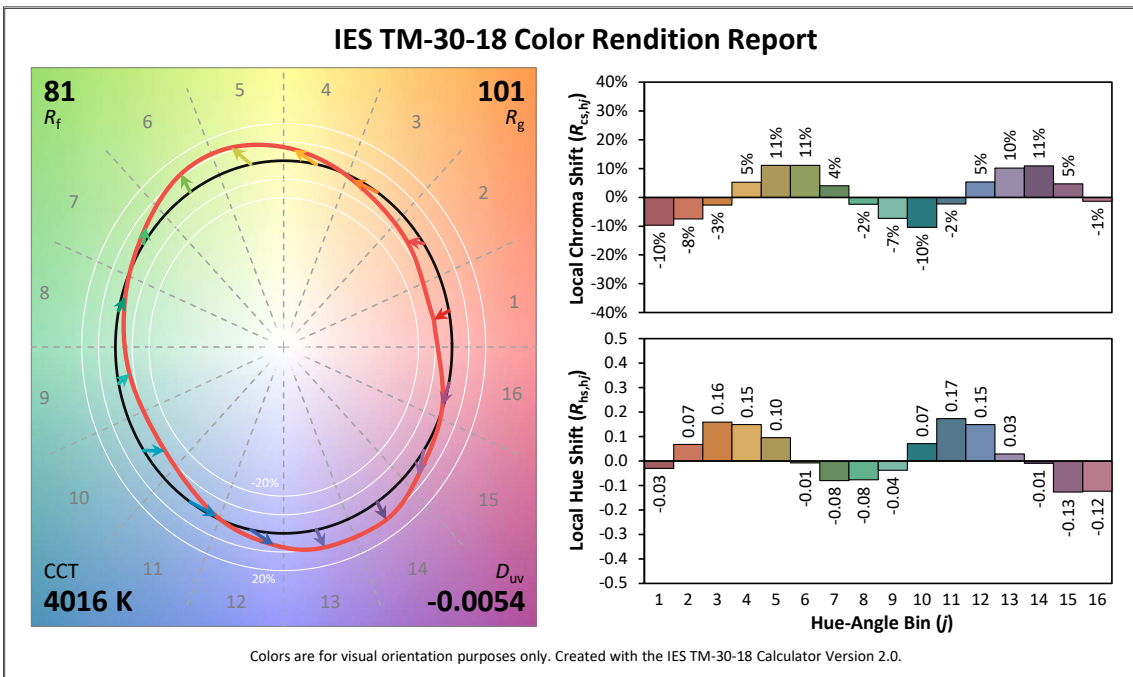


COLOR METRIC INFO

SOURCE FOUR MINI LED 3000 K (80 CRI) TM-30-18

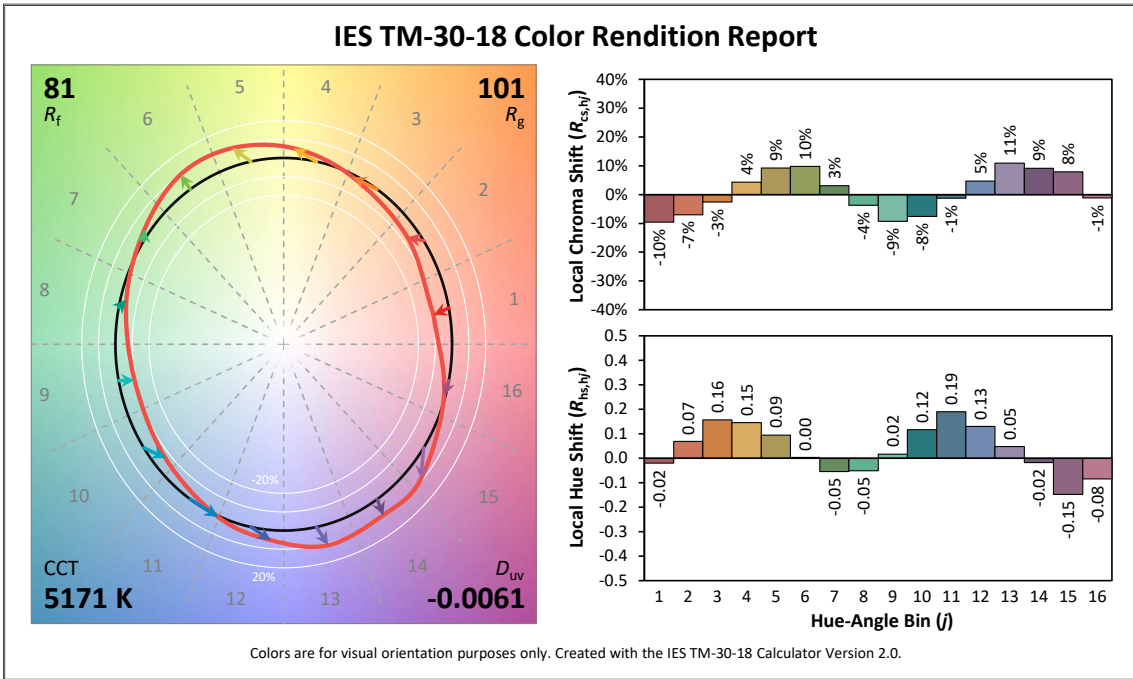


SOURCE FOUR MINI LED 4000 K (80 CRI) TM-30-18



COLOR METRIC INFO

SOURCE FOUR MINI LED 5000 K (80 CRI) TM-30-18



## PHOTOMETRY

Array	Lens Tube	Candela	Delivered Lumens	Field Lumens	Beam Lumens	Power Consumption	Efficacy (lpw)
2700 K / 90 CRI	19°	7,557	484	472	370	15.6	31.0
2700 K / 90 CRI	26°	4,215	491	479	373	15.6	31.5
2700 K / 90 CRI	36°	2,309	506	495	410	15.6	32.4
2700 K / 90 CRI	50°	1,372	507	496	361	15.6	32.5

3000 K / 90 CRI	19°	8,502	544	531	416	15.6	34.9
3000 K / 90 CRI	26°	4,661	553	539	425	15.6	35.4
3000 K / 90 CRI	36°	2,584	566	555	459	15.6	36.3
3000 K / 90 CRI	50°	1,543	571	558	407	15.6	36.6

3000 K / 80 CRI	19°	9,527	610	595	466	15.6	39.1
3000 K / 80 CRI	26°	5,240	617	604	481	15.6	39.6
3000 K / 80 CRI	36°	2,896	635	622	515	15.6	40.7
3000 K / 80 CRI	50°	1,728	639	625	455	15.6	41.0

4000 K / 80 CRI	19°	9,399	602	587	460	15.6	38.6
4000 K / 80 CRI	26°	5,197	611	595	464	15.6	39.2
4000 K / 80 CRI	36°	2,854	626	613	507	15.6	40.1
4000 K / 80 CRI	50°	1,703	630	616	449	15.6	40.4

5000 K / 80 CRI	19°	10,000	641	625	489	15.6	41.1
5000 K / 80 CRI	26°	5,519	651	634	493	15.6	41.7
5000 K / 80 CRI	36°	3,041	667	653	540	15.6	42.8
5000 K / 80 CRI	50°	1,814	671	656	478	15.6	43.0

ORDERING INFORMATION

Source Four Mini LED Lens Tubes

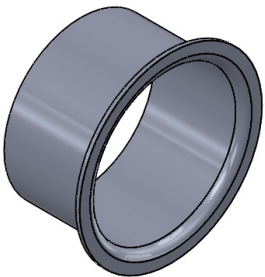
MODEL	DESCRIPTION	
4M19LT	19° Source Four Mini Lens Tube (black)	
4M26LT	26° Source Four Mini Lens Tube (black)	
4M36LT	36° Source Four Mini Lens Tube (black)	
4M50LT	50° Source Four Mini Lens Tube (black)	
<b>COLOR OPTIONS</b> (add suffix below to above model after "LT")		
-1	White	
-8	Custom	

Source Four Mini Accessories

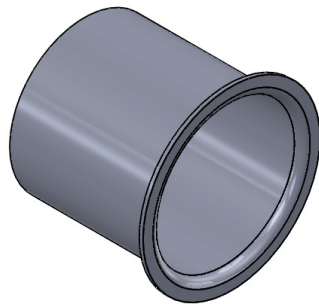
MODEL	DESCRIPTION	
4MCC	S4 Mini C-Clamp, Black*	
4MPH	Pattern holder	
4MCF	Color frame	
4MD	Donut	
4MTH	Top hat	
4MTHS	Top hat short	
4MHH	Half hat	
4MHHS	Half hat short	

\*Source Four Mini LED portable comes with no clamp included. Please choose from the above clamps if one is required.

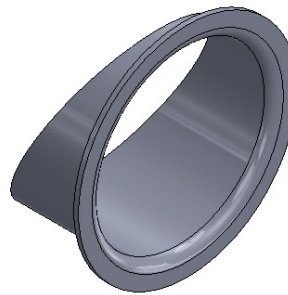
4MTHS - TOP HAT SHORT



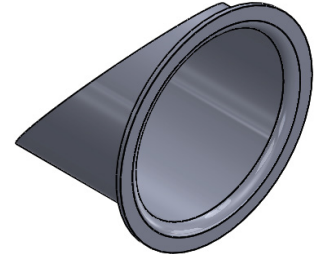
4MTH - TOP HAT



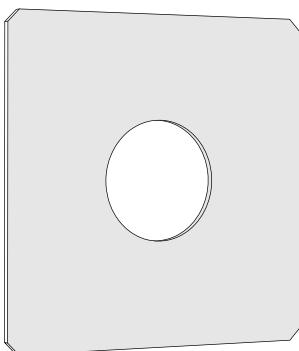
4MHHS - HALF HAT SHORT



4MHH - HALF HAT



4MD - DONUT

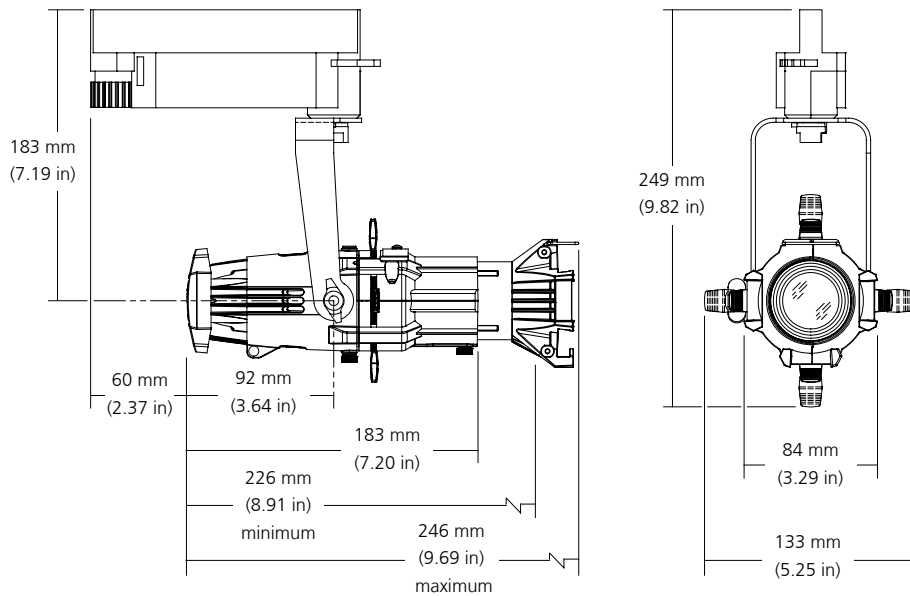


PHYSICAL

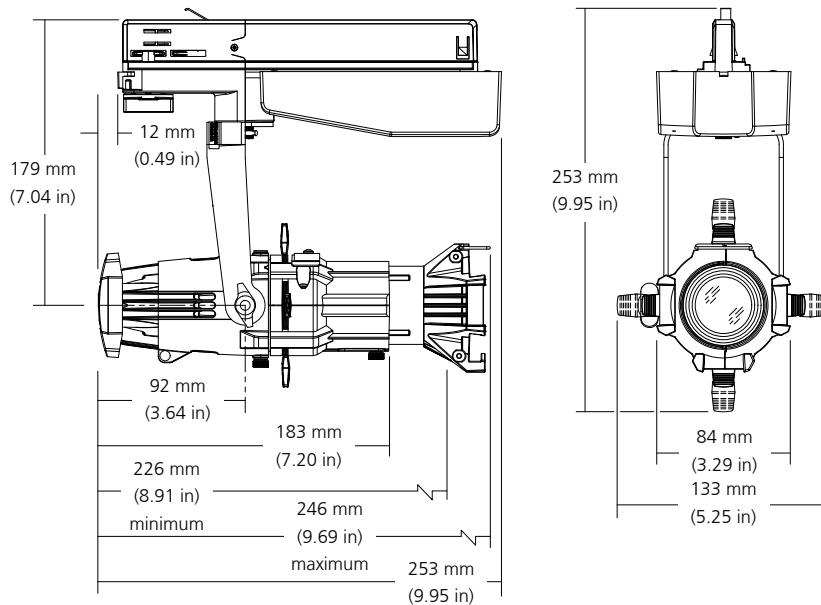
Source Four Mini LED Weights and Dimensions

	HEIGHT		WIDTH		DEPTH		WEIGHT		SHIPPING WEIGHT	
	in	mm	in	mm	in	mm	lb	kg	lb	kg
Portable	9.87	251	5.25	133	9.69	246	2.6	1.2	3.8	1.7
F-Drive Portable	9.87	251	5.25	133	9.69	246	1.6	0.8	2.8	1.3
Canopy	8.18	208	5.25	133	9.69	246	2.6	1.2	3.7	1.7
F-Drive Canopy	8.18	208	5.25	133	9.69	246	2.2	1.0	3.3	1.5
OneTrack	9.95	253	5.25	133	9.69	246	2.4	1.1	3.6	1.6
DataTrack / EUTRAC Mount	9.82	249	5.25	133	9.69	246	2.4	1.1	3.6	1.6

SOURCE FOUR MINI LED DATATRACK MOUNT



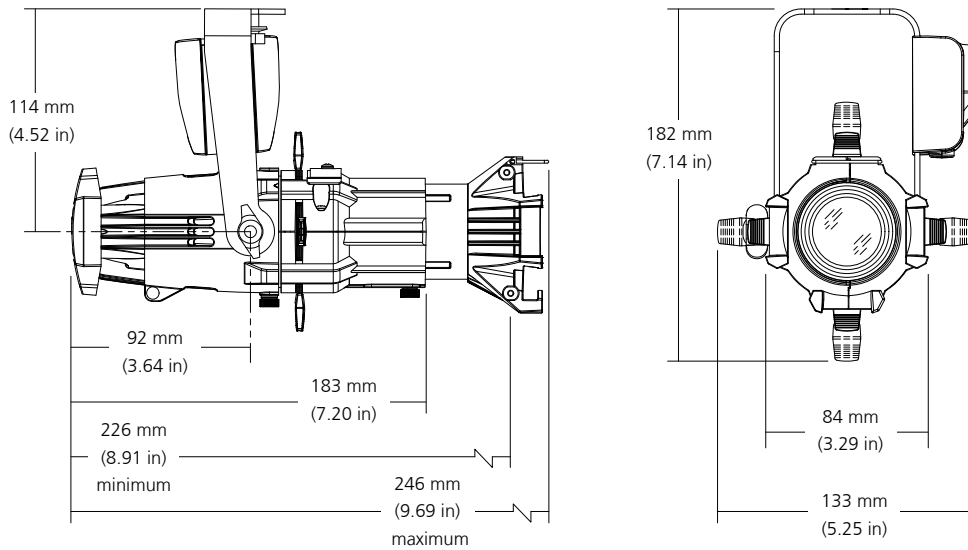
SOURCE FOUR MINI LED ONETRACK MOUNT



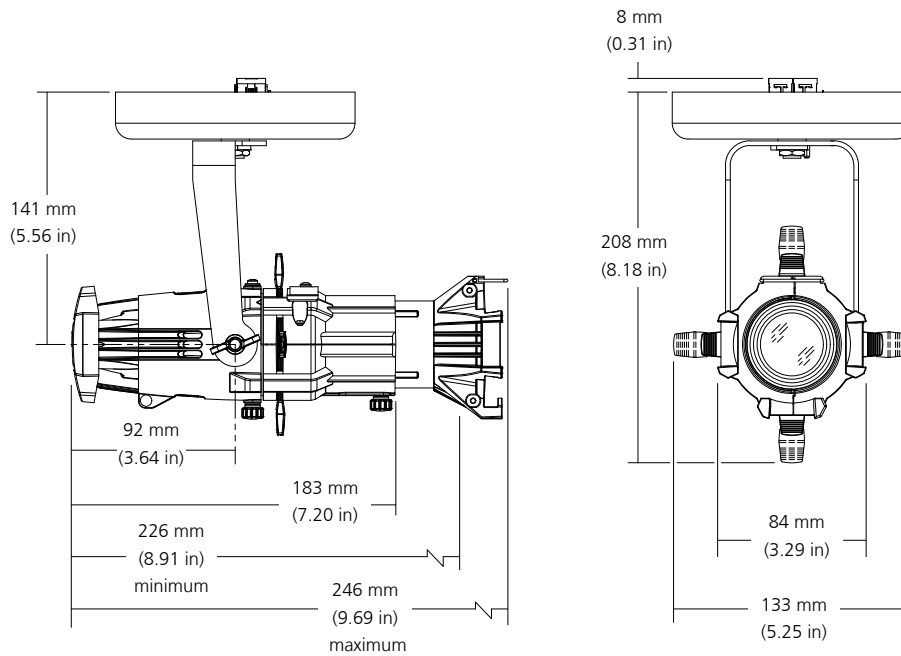


PHYSICAL

SOURCE FOUR MINI LED PORTABLE - F-DRIVE

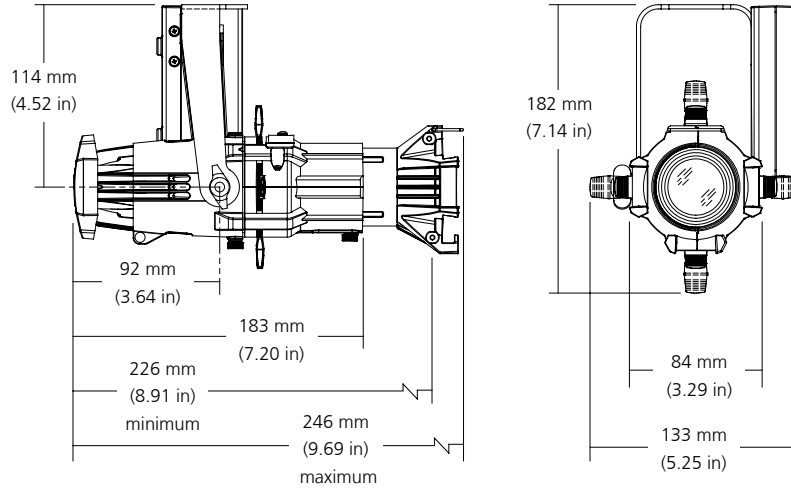


SOURCE FOUR MINI LED CANOPY - F-DRIVE

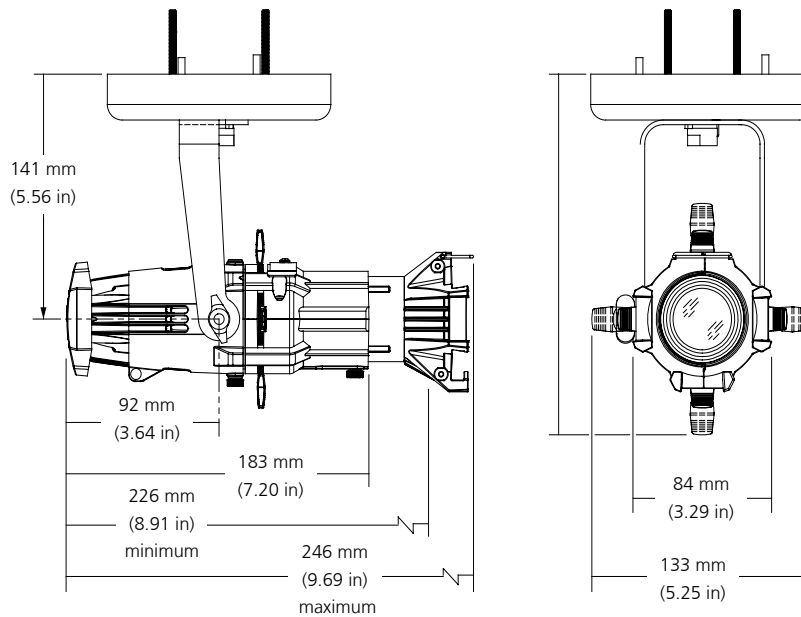


PHYSICAL

SOURCE FOUR MINI LED PORTABLE



SOURCE FOUR MINI LED CANOPY



Corporate Headquarters • Middleton, WI USA  
 Global Offices • London, UK • Rome, IT • Holzkirchen, DE • Paris, FR • Hong Kong  
 Dubai, UAE • Singapore • New York, NY • Orlando, FL • Los Angeles, CA • Austin, TX  
 ©2024 ETC. All Rights Reserved. All product information and specifications subject to change. Rev V 2024-04  
 \*Trademark and patent info: [etconnect.com/IP](http://etconnect.com/IP) • Third-party license agreement info: [etconnect.com/licenses](http://etconnect.com/licenses)