



Type(s)  
Project  
Date  
Notes

OVERVIEW

FIXTURE OVERVIEW

SolaFrame Theatre is a fanless, convection-cooled automated luminaire that prioritizes high quality features, spectral output and silence. When you need an automated lighting product that is audibly invisible and visually impactful, the SolaFrame Theatre is the right choice. With a feature set designed for exquisite projection control and beautiful color rendering, SolaFrame Theatre can quietly steal the scene.

Applications

- Theatres of all sizes
- Concert halls
- Opera houses
- Film and television broadcast studios
- Churches and houses of worship

Product Features

- Bright white LED engine
- 440 W High CRI engine producing 16,200 max lumens
- High quality 13-lens optic system with patented Lens Defogger
- Versatile 7°–42° zoom
- CMY/CTO-Linear color mixing system
- Seven position plus open replaceable Color Wheel
- Full-curtain framing system for total control of beam shaping
- 16-blade iris for extremely tight beam effects
- Smooth variable light diffusion
- Seven position plus open Rotating Gobo Wheel
- Eight position plus open interchangeable Fixed Gobo Wheel
- Linear rotating prism for controlled pattern replication across a stage

ORDERING INFORMATION

SolaFrame Theatre

Model	Description
H7010030	SolaFrame Theatre in Styrofoam packaging

**Color Options:** Fixtures ship standard in black. White available by request.  
**Included Accessories:** Fixture includes two (2) 180 mm Single-hole Omega brackets and one (1) fixture power cord, bare ends to powerCON® TRUE1® input.

Accessories

Model	Description
2560B7009	Fixture Power Cord upgrade, 5-15 Edison to powerCON TRUE1, 15 A
2560B7005	Fixture Power Cord upgrade, Stage Pin to powerCON TRUE1, 20 A
2560B7006	Fixture Power Cord upgrade, L6-20 to powerCON TRUE1, 20 A
2560B7007	Fixture Power Cord upgrade, L5-20 to powerCON TRUE1, 20 A
67040007	MegaClaw™
55040014	Cheeseborough 2" Alloy 1/2 Coupler Truss Clamp
67040010	Mini-Claw™



## PRODUCT SPECIFICATIONS

## Source

Engine	High CRI Engine
LED Details	440 W
Max Field Lumens	15,000 Lumens
Integrating Sphere Lumens	16,200 Lumens
LPW	37
LED Life	50,000 hours
Native CCT	6,000 K
Transferable Light Engine	Yes

## Color

Color Mixing	Cyan, magenta, yellow, CTO-linear
Color Temperature	Variable down to 2,800 K
Color Wheel	Seven (7) interchangeable dichroic chips plus open

## Optical

Beam Angle Range	7°–42°
Gate Size	28 mm
Pattern Projection	Rotating wheel with seven (7) patterns plus open Interchangeable fixed position wheel with eight (8) patterns plus open
Animation	Rotating animation wheel
Prism	Linear 4 facet
Frost	Light frost
Iris	16-blade iris
Framing	Four-plane, full-curtain framing system with 90° module rotation
Flicker Control/Hz Range	100 Hz, 2.4 kHz, or 16 kHz

## Control

Input Method	DMX (5-pin) or Ethernet with passive thru
Protocols	DMX via RS-485 Art-Net or sACN via Ethernet
Ethernet Pass-Thru	Passive Ethernet in and thru with and without power
Data Conversion	Patented data conversion system for: DMX to Ethernet Ethernet to DMX
Modes (Footprint)	One (47 channels)
RDM Functions	Yes
UI Type	Full color graphical UI with 6-button navigational control
Local Control	Yes
Dimming Performance	16-bit, DMX controlled

## Electrical

Voltage Range	100–240 V, 50–60 Hz
Input Method	powerCON TRUE1
Wattage (Standard/+Defogger)	703 W / 738 W
Current (Max)	7.5 A @ 100 V / 3.0 A @ 240 V
Inrush (first half-cycle)	120 V: 22.6 A 208 V: 33.4 A

## Thermal

Ambient Operating Temp	0°–35°C (32°–95°F)
Fan Mode	Fanless, Convection-cooled
Stationary Noise	28 dBA at full intensity (17.8 dBA background noise)
Lens Defogging	Patented Lens Defogger included

## Physical

Pan and Tilt Range	540° pan, 265° tilt
Max Pan/Tilt Speed	360° in 2.9 s / 180° in 1.96 s
Materials	Steel and aluminum frame with molded plastic covers
Color Options	Black, white by request
Mounting Options	Any orientation
IP Rating	IP-20
Weight	50.35 kg (111 lb)
Included Accessories	powerCON TRUE1 to bare end fixture tail Two (2) 180 mm Single-hole Omega brackets Safety Cable

## Warranty

Fixture Warranty	Five (5) year for light engine Two (2) year for complete fixture
Warranty Details	<a href="http://highend.com/warranty">highend.com/warranty</a>

## Regulatory &amp; Compliance

Regulatory Standards	Listed to UL 1573 Certified to CSA STD. C22.2 No: 166 EAC
CE compliance declared to these standards	Safety: EN 60598-1, EN 60598-2-17, EN 62031, EN 62471 EMC: EN 55015, EN 61547, EN 61000-3-2, EN 6100-3-3
Complies to the ROHS directive	Yes

## Safety

Safety	Minimum distance to illuminated surface = 2.0 m (6.5 ft) Minimum distance from fixture head to combustible materials = 0.5 m (1.6 ft)
--------	--

**Notes:** All LED sources experience some lessening of light output and some color shift over time. LED output will vary with thermal conditions. Thermal conditions can be affected by ambient temperatures and orientation.

FEATURE DETAILS

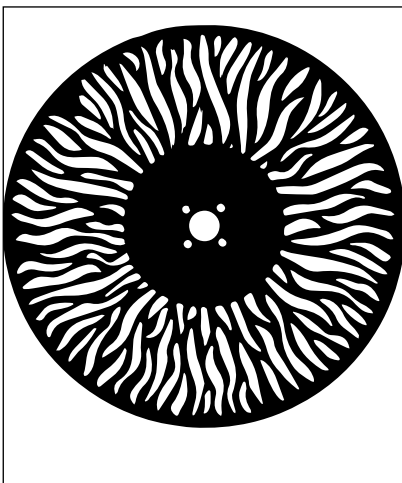
Color Wheel Details

Shape	Interchangeable wedge
Materials	1.1 mm glass Borofloat

	1 - Red
	2 - Blue
	3 - Green
	4 - Yellow
	5 - Orange
	6 -Purple
	7- Dark Blue


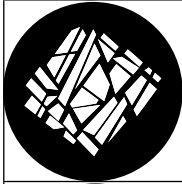
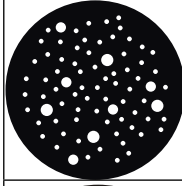
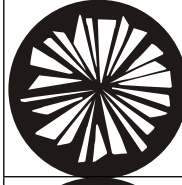
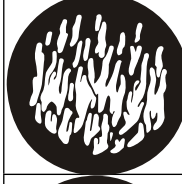
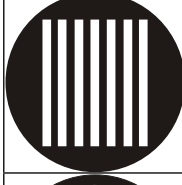
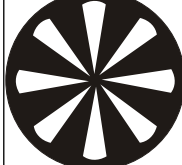
Animation Wheel Details

Movement	Bi-directional continuous rotation
Materials	0.6 mm aluminum



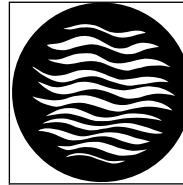
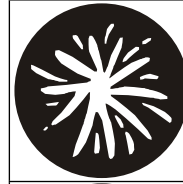
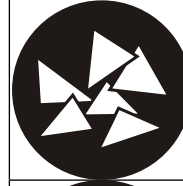
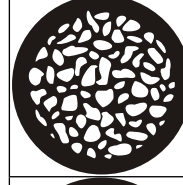
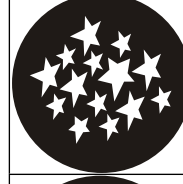
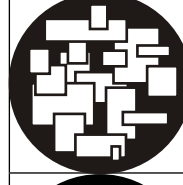

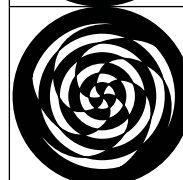
Rotating Gobo Details

Outside Diameter	30 mm (1.18 in)
Image Diameter	25 mm (0.98 in)
Materials	0.5 mm aluminum 1.1 mm glass Borofloat®

	1 - Foliage (Glass)
	2 - Fracture
	3 - Xylern
	4 - Valient
	5 - Fire
	6 - Bars
	7 - Pin Wheel

Interchangeable Gobo Details

Outside Diameter	30 mm (1.18 in)
Image Diameter	25 mm (0.98 in)
Materials	0.5 mm aluminum 1.1 mm glass Borofloat

	1 - Waves
	2 - Splash
	3 - Triangles
	4 - Polymoba
	5 - Stars
	6 - Modern
	7 - Crescents
	8 - Twist

PHOTOMETRIC INFORMATION

SolaFrame Theatre - High CRI

	Degree	Candela	Field Lumens	Power Usage	Lumens Per Watt
Narrow	7	545,300	8,500	440 W	19.3
Wide	42	45,100	15,000	440 W	34.1

Narrow - 7°

Throw Distance	10 ft 3.0 m	20 ft 6.1 m	30 ft 9.1 m	50 ft 15.2 m	200 ft 61 m
Field Diameter	1.2 ft 0.38 m	2.4 ft 0.75 m	3.7 ft 1.12 m	6.1 ft 1.87 m	24.5 ft 7.46 m
Illuminance (fc)	5,453	1,364	606	219	14
Illuminance (lux)	58,670	14,668	6,519	2,347	147

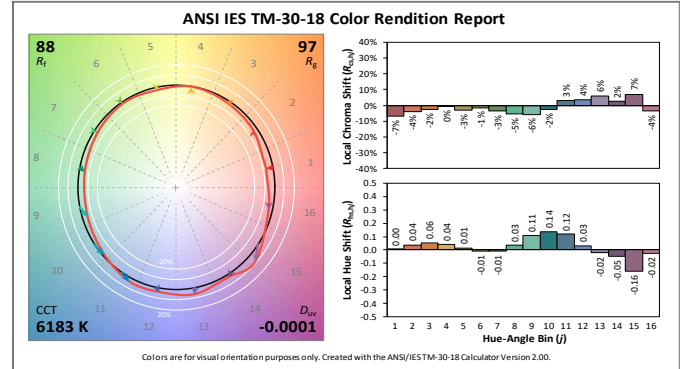
Wide - 42°

Throw Distance	10 ft 3.0 m	20 ft 6.1 m	30 ft 9.1 m	50 ft 15.2 m	200 ft 61 m
Field Diameter	7.7 ft 2.35 m	15.4 ft 4.69 m	23.0 ft 7.03 m	38.4 ft 11.71 m	153.5 ft 46.81 m
Illuminance (fc)	451	113	51	19	2
Illuminance (lux)	4,850	1,213	539	194	12

To determine center beam illumination in footcandles at any throw distance, divide candela by the throw distance squared.

Metric conversions: For meters, multiply feet by 0.3048.  
For lux, multiply footcandles by 10.76.

SolaFrame Theatre - High CRI Spectral Data



Additional Color Metrics

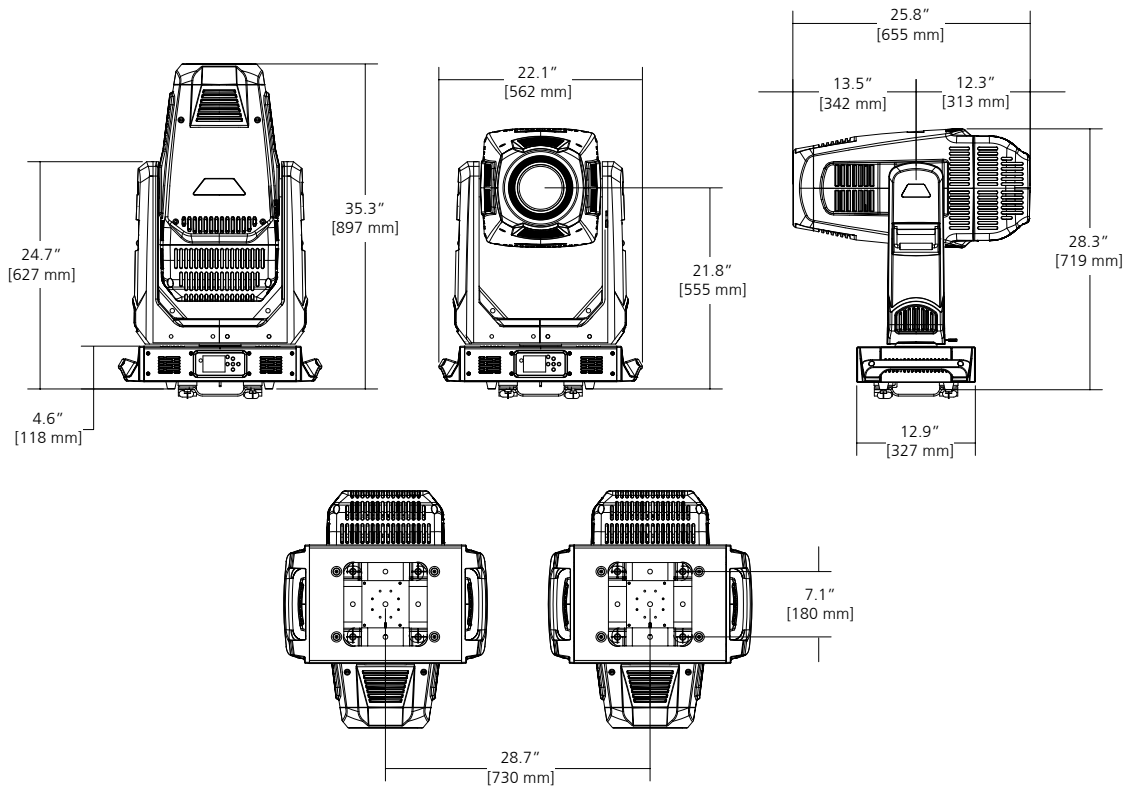
	SolaFrame Theatre Hi-CRI Engine
CRI Ra (R9)	91 (58)
TLCI	89

PHYSICAL INFORMATION

SolaFrame Theatre Dimensions

Model	Height		Width		Depth		Weight	
	in	mm	in	mm	in	mm	lb	kg
SolaFrame Theatre*	35.3	897	22.1	562	12.9	327	111	50.35
SolaFrame Theatre in Box	40	1016	27	685.8	18	457.2	126	57.15
SolaFrame Theatre in Roadcase	28.9	735	22.4	570	40.1	1019	210	95.25

\*Does not include mounting hardware



SolaFrame Theatre Power Table

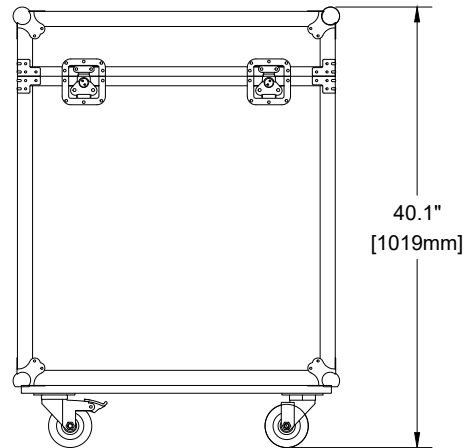
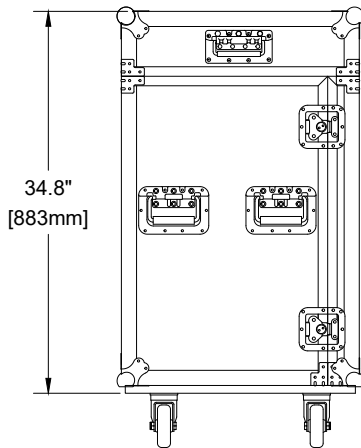
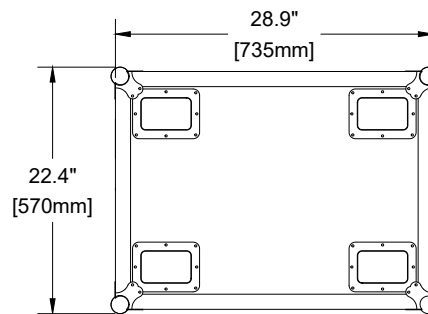
VAC	Amps	Hz	Watts	VA	PF
100	7.4	50	738	752	0.98
120	6.1	60	725	722	0.98
200	3.6	50	721	720	0.96
208	3.5	60	728	709	0.96
220	3.3	50	711	720	0.95
230	3.2	50	720	725	0.95
240	3.1	60	730	730	0.95

ADDITIONAL ORDERING INFORMATION

Additional Accessories

Model	Description
H7300183	Optional Heavy Frost Accessory (not installed)
12040001	Galvanized safety cable w/ spring snap
H7300170	SolaFrame Theatre single fixture roadcase
2599A2001	Omega bracket, 180 mm Three-hole
H7150008	Omega bracket, 180 mm Single-hole (included)

Roadcase Dimensions



Corporate Headquarters • Middleton, WI USA  
 Global Offices • London, UK • Rome, IT • Holzkirchen, DE • Paris, FR • Hong Kong  
 Dubai, UAE • Singapore • New York, NY • Orlando, FL • Los Angeles, CA • Austin, TX  
 ©2023 ETC. All Rights Reserved. All product information and specifications subject to change. Rev F 2023-10  
 \*Trademark and patent info: [etconnect.com/IP](http://etconnect.com/IP) • Third-party license agreement info: [etconnect.com/licenses](http://etconnect.com/licenses)

etconnect.com