



Type(s)
Project
Date
Notes

GENERAL INFORMATION

The SolaPix family of wash fixtures from High End Systems takes the traditional concept of a pixel wash and pushes it to its maximum potential, and the SolaPix 19 XT takes it even further with an IP65 design specifically for temporary usage in exterior applications. As both a vacuum- and liquid-sealed product, this weatherproof fixture can go anywhere and be ready for the next gig.

Whether you are using the fixture to spread color all over a festival stage or outdoor event, the bright and punchy output will envelop your production with beautiful, saturated color. Additionally, when you need to add emphasis, the narrow zoom and fully macro- and pixel-controlled face gives you a wide variety of looks and effects to help set the mood and steal the show in any weather.

Applications

- Indoor or outdoor
- Live concerts
- Tradeshows
- Festivals
- Industrial shows
- Outdoor film sets
- Corporate events

Product Features

- Designed for temporary outdoor use with rainproof and dustproof enclosure
- Additive LED, RGBW, color mixing system for extremely powerful saturated colors and tunable white control
- Versatile 4.5°–60° zoom
- Extremely efficient optical system provides market-leading lumen output
- FleX Effects Generator for easily customizable macros
- Pixel mapping on all models
- Modular control with Art-Net or sACN in addition to simultaneous DMX control
- Patent-Pending HaloGraphic Pixel Definition
- Also see the entire family of SolaPix interior-rated fixtures at etcconnect.com

ORDERING INFORMATION

Model	Description
SP19XT-MI 2595A1500-B	SolaPix 19 XT, Black, Packaged in Molded Insert and Cardboard Box
RC-SP19XT 2595K1501	Road Case, Holds Up to Three (3) SolaPix 19 XT Fixtures in Molded Insert
SEAL-ATOR 2599A1000	SealerAtor, Seal Testing Device for SolaPix 19 XT

Color Options: Fixtures ship standard in black. White available by request.
Included Accessories: Fixture includes two (2) 180 mm Single-hole Omega brackets, bare ends to powerCON® TRUE1® TOP input, and a safety cable.

Accessories

Part Number	Description
2500B7029-A	Fixture Power Cord Upgrade, 5-15P Edison to powerCON TRUE1 TOP, 15 A
2560B7005	Fixture Power Cord Upgrade, Stage Pin to powerCON TRUE1 TOP, 20 A
2560B7006	Fixture Power Cord Upgrade, L6-20P to powerCON TRUE1 TOP, 20 A
2560B7007	Fixture Power Cord Upgrade, L5-20P to powerCON TRUE1 TOP, 20 A
55040014	Cheeseborough 2" Alloy 1/2 Coupler Truss Clamp
67040010	Mini-Claw™



PRODUCT SPECIFICATIONS

Source

LED Quantity	19
Max. Field Lumens	11,815
Integrating Sphere Lumens	13,800
LPW	16
LED Type	40 W Osram Ostar LED
LED Life	50,000 hours/5 year warranty

Color

Color Mixing	Red, green, blue, and white
Color Temperature Range	Variable from 2800-8000 K

Optical

Beam Angle Range	4.5°–60°
Flicker Control/Hz Range	2.4 kHz and 16 kHz

Control

Input Method	DMX (5-pin) or Ethernet
Protocols	DMX via RS-485 Art-Net or sACN via Ethernet
RDM Functions	Yes
UI Type	Full color graphical UI with 6 button navigational control
Local Control	Yes
Effects Engine	Built in effects engine with multi parameter color and speed control
Pixel Mapping	Individual addressing via DMX, Art-Net, or sACN
Dimming Performance	16-Bit, DMX controlled

Electrical

Voltage Range	100–240 V 50–60 Hz
Input Method	powerCON TRUE1 TOP
Wattage (Standard)	1000 W @ 100 V
Current (Max)	9.5 A @ 100 V
Inrush (First Half Cycle)	120 V: 27.6 A 230 V: 96.0 A
Fixtures per Circuit	1 fixture (15 A power thru connector) 2 fixtures (R20 module or similar) Note: TRUE1 TOP connector rated for 20 A (120 V / 60 Hz) and 16 A (240 V / 50 Hz)

Thermal

Ambient Operating Temp	-10° to 40°C (14° to 104°F)
Fan Mode	Standard, Studio, and Linear Continuous control channel

Physical

Pan and Tilt Range	540° pan, 263° tilt
Max Pan/Tilt Speed	360° in 2.44 s/180° in 1.00 s
Materials	Steel and aluminum frame with aluminum and plastic covers
Color Options	Black, white by request
Mounting Options	Any orientation
IP Rating	IP65
Weight	27.2 kg (60 lb)
Included Accessories	Two (2) 180 mm Single-hole Omega brackets Two (2) clamp brackets Safety cable

Warranty

Fixture Warranty	Five (5) years for light engine Two (2) years for complete fixture
Warranty Details	etcconnect.com/Support/Warranty.aspx

Regulatory & Compliance

Approved regulatory standards	cETLus Listed Listed to UL 1573 Certified to CSA STD. C22.2 No: 166 CE Compliant UKCA Compliant
Complies to the ROHS directive	Yes

Safety

Safety	Minimum distance to illuminated surface = 1.0 m (3.2 ft) Minimum distance from fixture head to combustible materials = 0.1 m (4.0 in)
--------	--

Notes: All LED sources experience some lessening of light output and some color shift over time. LED output will vary with thermal conditions. Thermal conditions can be affected by ambient temperatures and orientation.

PHOTOMETRIC DATA

SolaPix 19 XT - All On, Standard Mode

	Degree	Candela	Field Lumens	Power Usage	Lumens Per Watt
Narrow Beam	4.5°	948,000	7,850	760 W	11
Narrow Wash	14°	446,100	9,411	760 W	13
Medium Wash	26°	163,600	11,186	760 W	15
Wide Wash	60°	33,900	11,815	760 W	16

Narrow Beam - 4.5°

Throw Distance	10 ft 3.0 m	20 ft 6.1 m	30 ft 9.1 m	50 ft 15.2 m	200 ft 61 m
Field Diameter	0.8 ft 0.24 m	1.6 ft 0.48 m	2.4 ft 0.72 m	3.9 ft 1.20 m	15.7 ft 4.80 m
Illuminance (fc)	9,480	2,370	1,054	380	24
Illuminance (lux)	102,000	25,500	11,333	4,080	255

Narrow Wash - 14°

Throw Distance	10 ft 3.0 m	20 ft 6.1 m	30 ft 9.1 m	50 ft 15.2 m	200 ft 61 m
Field Diameter	2.5 ft 0.8 m	4.9 ft 1.5 m	7.4 ft 2.3 m	12.3 ft 3.8 m	49.1 ft 15 m
Illuminance (fc)	4,461	1,116	496	179	12
Illuminance (lux)	48,000	12,000	5,333	1,920	120

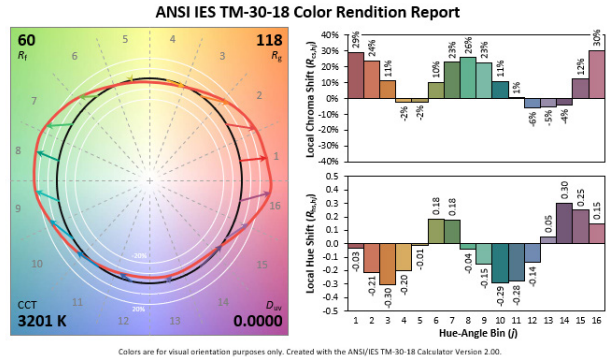
Medium Wash - 26°

Throw Distance	10 ft 3.0 m	20 ft 6.1 m	30 ft 9.1 m	50 ft 15.2 m	200 ft 61 m
Field Diameter	4.6 ft 1.4 m	9.2 ft 2.8 m	13.9 ft 4.2 m	23.1 ft 7.0 m	92.3 ft 28.2 m
Illuminance (fc)	1,636	409	182	66	5
Illuminance (lux)	17,595	4,399	1,955	704	44

Wide Wash - 60°

Throw Distance	10 ft 3.0 m	20 ft 6.1 m	30 ft 9.1 m	50 ft 15.2 m	200 ft 61 m
Field Diameter	11.5 ft 3.52 m	23.1 ft 7.04 m	34.6 ft 10.56 m	57.7 ft 17.60 m	230.9 ft 70.40 m
Illuminance (fc)	339	85	38	14	1
Illuminance (lux)	3,640	910	404	146	9

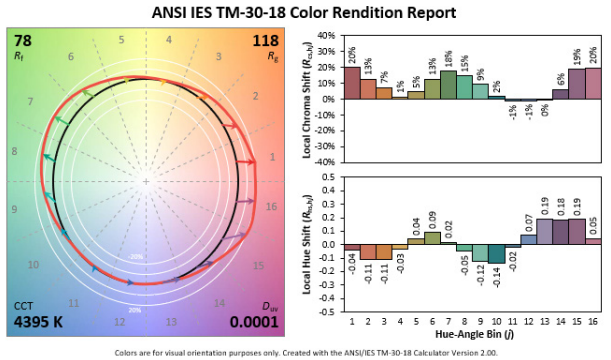
SolaPix Tuned to 3200 K



Additional Color Metrics

CRI Ra (R9)	76
TLCI	66

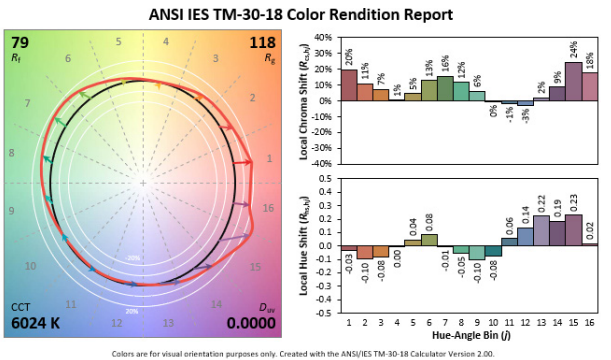
SolaPix Tuned to 4400 K



Additional Color Metrics

CRI Ra (R9)	58
TLCI	39

SolaPix Tuned to 6000 K



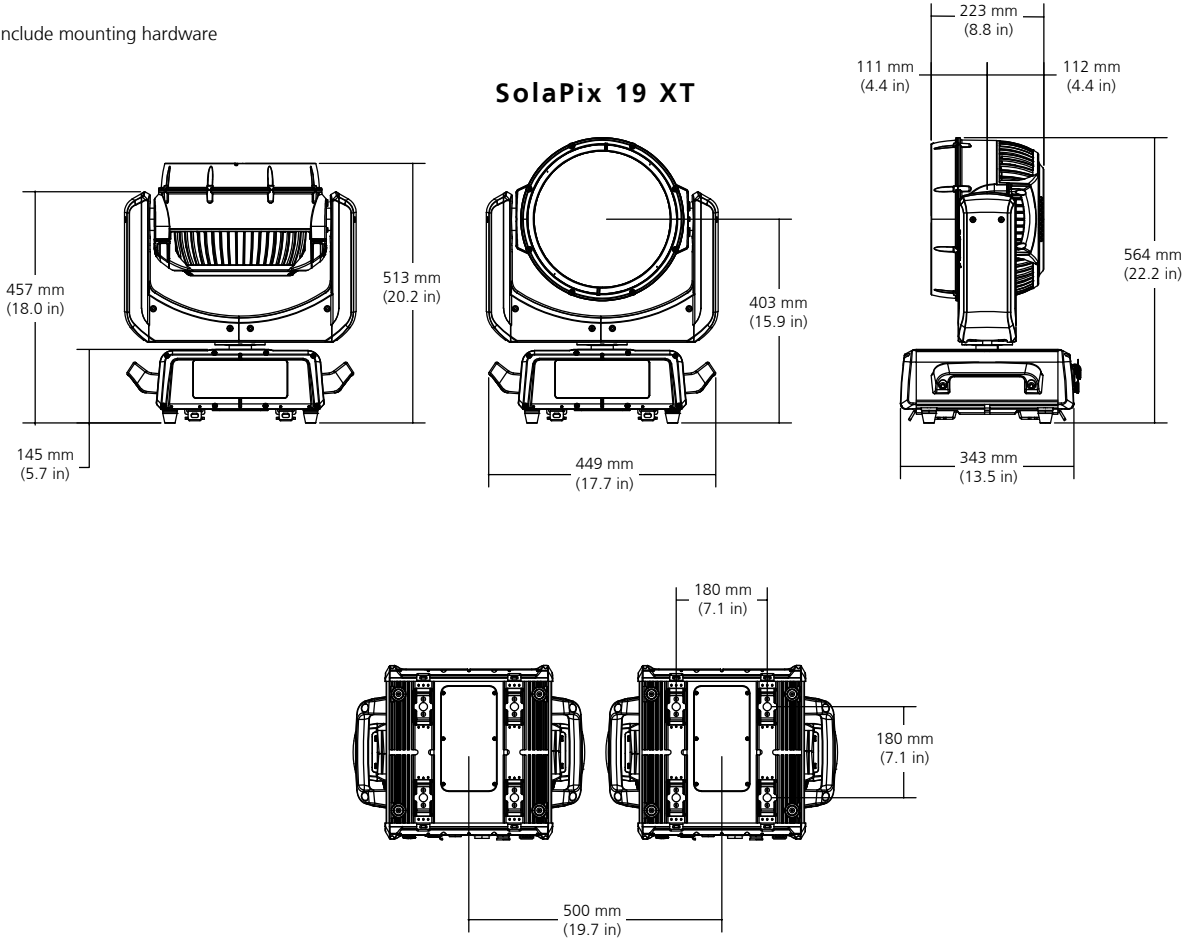
Additional Color Metrics

CRI Ra (R9)	78
TLCI	74

Product Dimensions

Model	Height		Width		Depth		Weight	
	in	mm	in	mm	in	mm	lb	kg
SolaPix 19 XT**	22.2	564	17.7	449	13.5	343	60	27.2
SolaPix 19 XT in Box with Molded Insert	27.0	685	22.0	559	16.0	407	81	36.8
Three (3) SolaPix 19 XT in Molded Insert with Road Case (Shipping Dimensions)	37.0	939	47.0	1195	23.4	595	362	164.2

**Does not include mounting hardware



Power Table

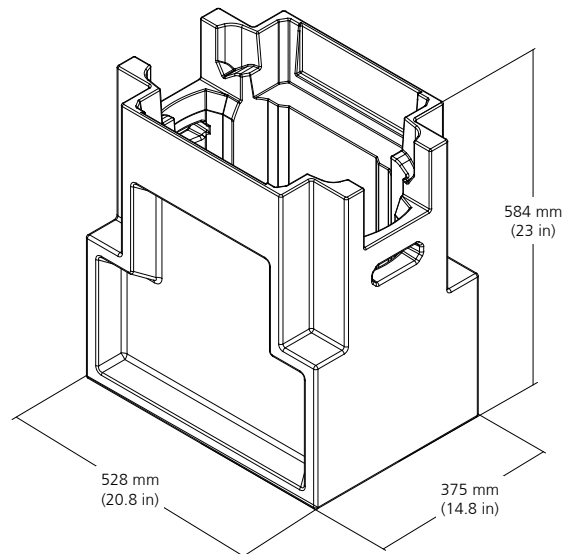
VAC	Amps	Hz	Watts	VA	PF
100	9.5	50	933	933	0.99
120	7.7	60	915	926	0.99
200	4.6	50	884	911	0.96
208	4.5	60	880	917	0.95
220	4.2	50	880	914	0.96
230	3.9	50	878	914	0.95
240	3.8	60	877	929	0.94

ADDITIONAL ORDERING INFORMATION

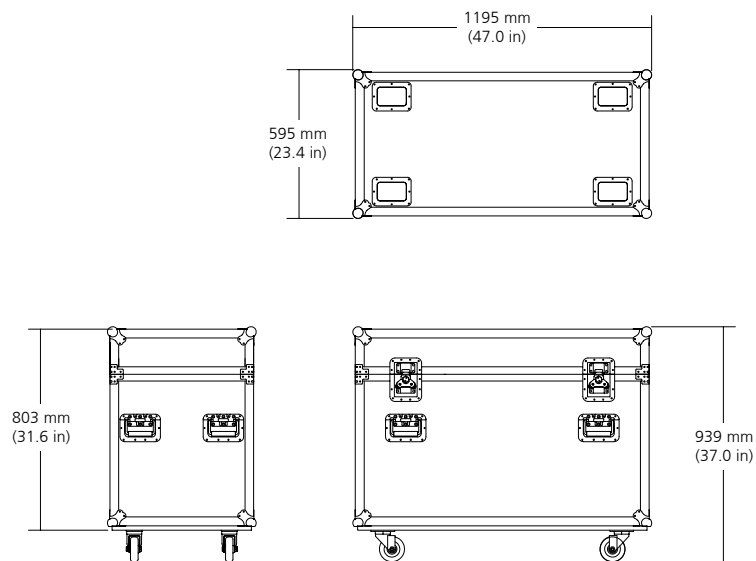
Additional Accessories

Model Number	Description
2599A2001	Omega bracket, 180 mm Three-hole
H7150008	Omega bracket, 180 mm Single-hole (included)
H7000012	Galvanized Safety Cable with Spring Snap

Molded Case Insert Dimensions



Optional Road Case



Corporate Headquarters • Middleton, WI USA
Global Offices • London, UK • Rome, IT • Holzkirchen, DE • Paris, FR • Hong Kong
 Dubai, UAE • Singapore • New York, NY • Orlando, FL • Los Angeles, CA • Austin, TX
 ©2023 ETC. All Rights Reserved. All product information and specifications subject to change. Rev B 2023-10
 *Trademark and patent info: etconnect.com/IP • Third-party license agreement info: etconnect.com/licenses

etconnect.com