

Type(s)  
Project  
Date  
Notes

**GENERAL INFORMATION**

Source 4WRD Color II is a leap forward in performance that transforms your existing Source Four incandescent profile into an RGBA LED fixture, unlocking the world of additive color mixing, saturated washes, and quick color changes. You get more stage looks with fewer fixtures while using less energy. No more changing lamps or replacing burned out gel. The simple nondestructive upgrade takes less than five minutes. Source 4WRD Color II uses switched power, 100–240 VAC, and dims via DMX.

**APPLICATIONS**

- Energy-saving retrofits
- Houses of worship
- Universities and schools
- Hospitality
- Retail
- Exhibition centers
- Meeting rooms
- Clubs
- Theatres

**PRODUCT FEATURES**

- New, patented LED array and color mixing system
- Increased brightness
- 2x output in red
- Improved color gamut and uniformity
- Industry leading warranty and support

**ORDERING INFORMATION**

**Source 4WRD Color II**

| MODEL    | DESCRIPTION                              | UL PART NUMBER | CE PART NUMBER |  |
|----------|--|----------------|----------------|--|
| S4WRDCII | Source 4WRD Color II Retrofit Kit, Black | 7068A1011      | 7068A1211      |  |

For white please add -1 to the model / part number.

Ordering information continued on page 5.



## PRODUCT SPECIFICATIONS

## Source

|   |                       |
|---|-----------------------|
| LED details   | Nichia LEDs           |
| Max lumens (26 EDLT)<br>(Full On / 3200 K / 5600 K) | 6,042 / 5,051 / 5,687 |
| Lumens per watt<br>(Full On / 3200 K / 5600 K)      | 42.2 / 46.3 / 45.9    |
| L70 rating (hours to 70% output)                    | >60,000 hours*        |

\*L70 value based on manufacturer's anticipated results

## Color

|                         |                                    |
|-------------------------|------------------------------------|
| Colors used             | RGBA (Red, Green, Blue, and Amber) |
| Color temperature range | 2200–6500 K                        |
| Calibrated array        | Yes                                |
| Red shift               | No                                 |

## Optical

|                                  |   |
|----------------------------------|---|
| Field angle range                | Swappable lens tubes between 5–90 degrees |
| Gate size                        | 79 mm                                     |
| Aperture size                    | Lens dependent                            |
| Pattern projection               | Yes                                       |
| Pattern size                     | A or B (see manual)                       |
| Camera flicker control/ Hz range | Yes, 1.2 kHz and 20 kHz                   |

## Control

|                     |  |
|---------------------|--|
| Input method        | DMX Control  |
| Protocols           | DMX / RDM via RJ45   |
| Modes (Footprint)   | 1 (1- Intensity, 2- Red, 3- Green, 4- Blue, 5- Amber, 6- Strobe) |
| RDM configuration   | Yes  |
| UI type             | 7-segment address display  |
| Local control       | Yes  |
| Onboard presets     | Yes, 12  |
| Onboard sequences   | Yes, 5   |
| Onboard effects     | No   |
| FixtureLink support | Yes  |

## Electrical

|                            |  |
|----------------------------|--|
| Voltage range              | 100–240 V (50–60 Hz) (not dimmable)  |
| Input method               | Hardwired, 1 m cord, bare end or various connector options (120 V)<br>Hardwired, 1 m cord, bare end (240 V)            |
| Inrush                     | 32 A (first half-cycle) at 120 V<br>60 A (first half-cycle) at 240 V   |
| Fixtures per circuit*      | 120 V: 10 (20 A switched circuit, R20 module or similar)<br>240 V: 10 fixtures per non-dimmed circuit (ER15AFR module) |
| Wattage (Typical/ Standby) | 146 W / 3.0 W (120 V)<br>143 W / 2.9 W (240 V)   |
| Current draw               | 1.25 A at 120 V<br>0.67 A at 240 V   |

\*All measurements are for 120 V, 60 Hz. Results may vary in different regions.

## Thermal

|                        |                            |
|------------------------|----------------------------|
| Ambient operating temp | 5°–40° C (41°–104° F)      |
| Fan (controllable)     | Yes (no)                   |
| Droop compensation     | No                         |
| dB range               | 27 dBA (average at 1 m)    |
| BTUs/hour              | 458 (120 V)<br>449 (240 V) |

## Physical

|                      |   |
|----------------------|---|
| Materials            | Cast aluminum                           |
| Color options        | Black, white, or custom color           |
| Mounting options     | Yoke                                    |
| IP rating            | IP20, indoor only                       |
| Weight               | 3.6 lb (1.63 kg) (Retrofit only)        |
| Included accessories | Source 4WRD mounting post and reflector |

## Warranty

|           |            |
|-----------|------------|
| Fixture   | Five years |
| LED array | Ten years  |

## Regulatory and Compliance

|                               |   |
|-------------------------------|---|
| Approved regulatory standards | UL 1573 (complete luminaire)<br>UL 1598C (retrofit kit)<br>CSA C22.2 No. 166 (complete luminaire)<br>CSA TIL B79-A (retrofit kit)<br>CE Compliant<br>UKCA Compliant |
|-------------------------------|---|

PRODUCT FEATURES



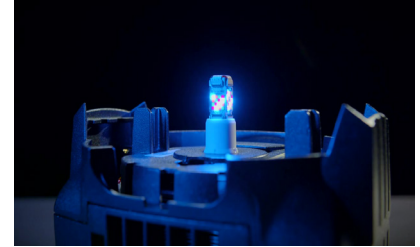
**EASY LED RETROFIT**

Designed to turn any full size Source Four incandescent fixture into an LED fixture in seconds.



**LEND COLOR TO ANY SPACE**

Millions of colors with the same fixtures you've relied on for years.

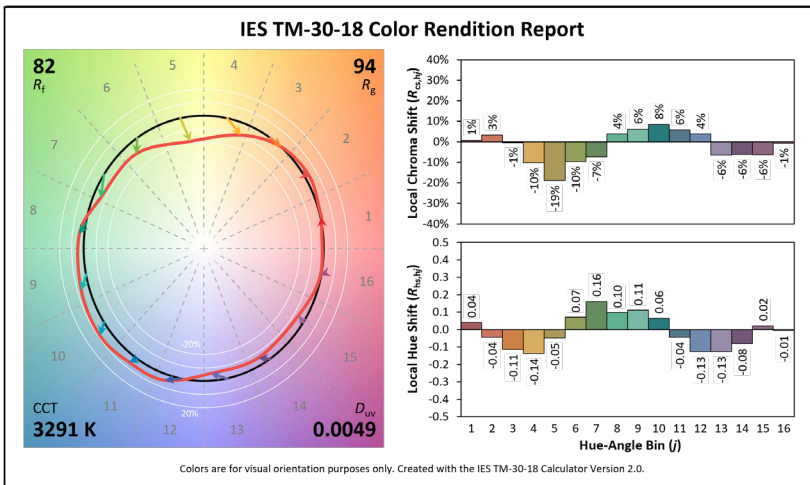


**DMX AND LOCAL CONTROL**

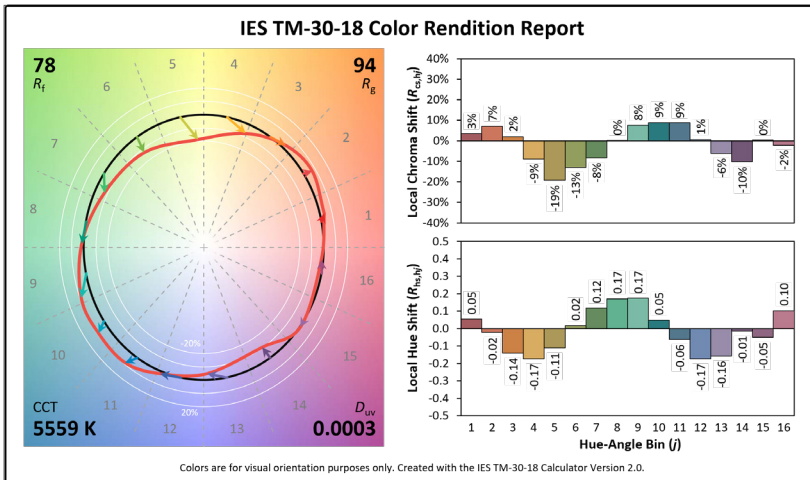
DMX In and Thru, with 12 built-in color presets and 5 built-in sequences for stand-alone operation.

COLOR METRIC INFORMATION

**SOURCE 4WRD COLOR II 3200 K TM-30-18**



**SOURCE 4WRD COLOR II 5600 K TM-30-18**



## COLOR METRIC INFORMATION

## Additional Color Metrics

|                                      | 3200 K  | 5600 K  |
|--------------------------------------|---------|---------|
| CRI R <sub>a</sub> (R <sub>9</sub> ) | 88 (96) | 80 (63) |
| TLCI                                 | 78      | 83      |

## PHOTOMETRY INFORMATION

For full Source 4WRD Color II photometry data, use the MyETC: Photometrics app. Visit [etcconnect.com/fixtureapps](http://etcconnect.com/fixtureapps) for more information.

| DEGREE             | S4WRD COLOR II FULL-ON | S4WRD COLOR II 3200 K | S4WRD COLOR II 5600 K |
|--------------------|------------------------|-----------------------|-----------------------|
| 5                  | 3,303                  | 2,759                 | 3,103                 |
| 10                 | 4,071                  | 3,401                 | 3,824                 |
| 14                 | 4,230                  | 3,533                 | 3,973                 |
| 19                 | 3,619                  | 3,023                 | 3,399                 |
| 19 EDLT            | 4,396                  | 3,672                 | 4,129                 |
| 26                 | 4,505                  | 3,763                 | 4,232                 |
| 26 EDLT            | 6,042                  | 5,051                 | 5,687                 |
| 36                 | 5,736                  | 4,791                 | 5,388                 |
| 36 EDLT            | 5,814                  | 4,857                 | 5,461                 |
| 50                 | 5,265                  | 4,398                 | 4,945                 |
| 50 EDLT            | 5,984                  | 4,999                 | 5,621                 |
| 70                 | 6,364                  | 5,316                 | 5,978                 |
| 90                 | 6,354                  | 5,308                 | 5,968                 |
| 15–30 Zoom (N/M/W) | 4,632/4,947/4,407      | 3,869/4,132/3,681     | 4,351/4,647/4,140     |
| 25–50 Zoom (N/M/W) | 6,394/6,358/5,981      | 5,341/5,311/4,996     | 6,006/5,972/5,618     |

## ORDERING INFORMATION

Continued from front page...

## Source Four Accessories

| MODEL       | DESCRIPTION                                       | CE PART NUMBERS |
|-------------|---|-----------------|
| 400PH-A     | Pattern holder (A size)                           | 7060A1013       |
| 400PH-B     | Pattern holder (B size)                           | 7060A1014       |
| 400PH-G     | Glass pattern holder                              | 7060A1019       |
| 400SC       | Safety cable                                      | 7060A1022       |
| 400RS       | Drop-in iris                                      | 7060A1012       |
| 400CF       | Media/gel frame (6.25 in / 159 mm)                | 7060A3043       |
| 400DN       | Donut (6.25 in / 159 mm)                          | 7060A1015       |
| 400TH       | Top hat (6.25 in / 159 mm)                        | PSF1021         |
| 400HH       | Half hat (6.25 in / 159 mm)                       | PSF10216        |
| 407CF       | Media/gel frame (7.5 in / 190 mm)                 | 7061A3007       |
| 400FB       | Source Four fixture body, single clutch           | 7060A1099       |
| S4WRDACCKIT | Data Accessory Kit, Includes W6538, W6539 & N4086 | 7067K1001       |
| W6538       | RJ45 to Female 5-pin XLR adapter                  | W6538           |
| W6539       | RJ45 to Male 5-pin XLR adapter                    | W6539           |
| N4086       | RJ45 DMX Terminator                               | N4086           |

Note: For accessory colors other than black or white, please contact ETC.

## Lens Tubes

| MODEL   | DESCRIPTION                                   | CE PART NUMBERS |
|---------|---|-----------------|
| 490LT   | 90° Lens tube with lens installed, Black      | 7060A2052-K     |
| 470LT   | 70° Lens tube with lens installed, Black      | 7060A2051-K     |
| 450LT   | 50° Lens tube with lens installed, Black      | 7060A2205-K     |
| 436LT   | 36° Lens tube with lens installed, Black      | 7060A2204-K     |
| 426LT   | 26° Lens tube with lens installed, Black      | 7060A2203-K     |
| 419LT   | 19° Lens tube with lens installed, Black      | 7060A2202-K     |
| 414LT   | 14° Lens tube with lens installed, Black      | 7060A2050-K     |
| 410LT   | 10° Lens tube with lens installed, Black      | 7060A2001-K     |
| 405LT   | 5° Lens tube with lens installed, Black       | 7060A2000-K     |
| 450EDLT | 50° EDLT Lens tube with lens installed, Black | 7060A2049       |
| 436EDLT | 36° EDLT Lens tube with lens installed, Black | 7060A2048       |
| 426EDLT | 26° EDLT Lens tube with lens installed, Black | 7060A2047       |
| 419EDLT | 19° EDLT Lens tube with lens installed, Black | 7060A2046       |

PHYSICAL

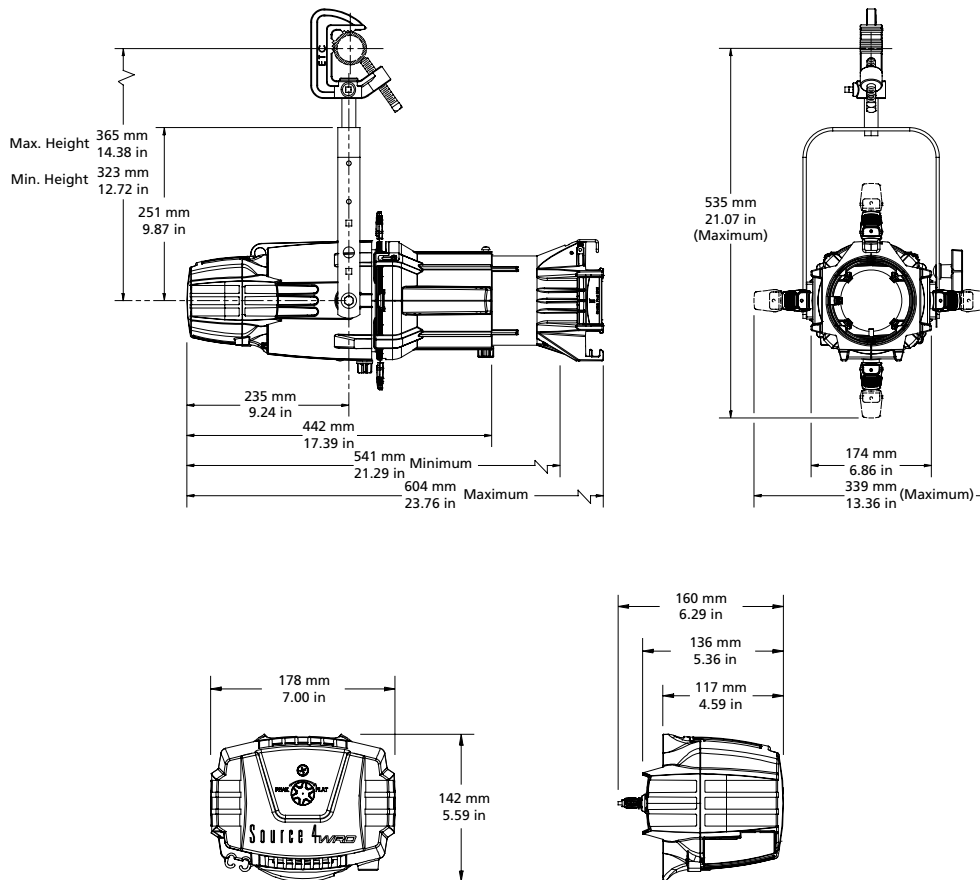
Source 4WRD Color II Dimensions (120 V and 240 V)

| MODEL  | HEIGHT |       | WIDTH |       | DEPTH |       |
|--|--------|-------|-------|-------|-------|-------|
|  | mm     | in    | mm    | in    | mm    | in    |
| Source 4WRD Color II retrofit                            | 142    | 5.59  | 178   | 7.00  | 160   | 6.29  |
| Source 4WRD Color II with fixture body and 26° lens tube | 535    | 21.07 | 339   | 13.36 | 604   | 23.76 |

Source 4WRD Color II Weights\* (120 V and 240 V)

| MODEL                                  | WEIGHT |       | SHIPPING WEIGHT |       |
|--|--------|-------|-----------------|-------|
|  | kg     | lb    | kg              | lb    |
| Source 4WRD Color II retrofit          | 1.69   | 3.73  | 1.93            | 4.25  |
| Source 4WRD Color II with fixture body | 5.99   | 13.20 | 6.35            | 14.00 |

\*Source 4WRD Color II adds 0.93 kg (2.05 lb) to the total fixture weight over a standard burner assembly.



Corporate Headquarters • Middleton, WI USA  
 Global Offices • London, UK • Rome, IT • Holzkirchen, DE • Paris, FR • Hong Kong  
 Dubai, UAE • Singapore • New York, NY • Orlando, FL • Los Angeles, CA • Austin, TX  
 ©2024 ETC. All Rights Reserved. All product information and specifications subject to change. Rev B 2024-03  
 \*Trademark and patent info: [etconnect.com/IP](http://etconnect.com/IP) • Third-party license agreement info: [etconnect.com/licenses](http://etconnect.com/licenses)