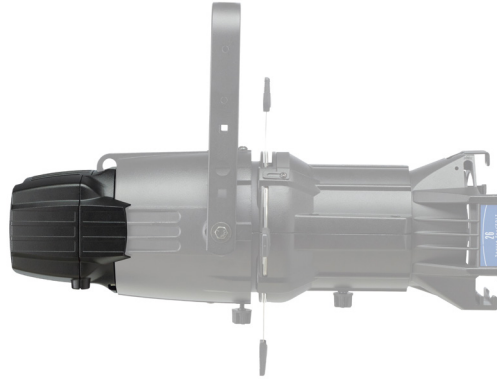


White-Light LED Retrofit



Type(s)  
Project  
Date  
Notes

GENERAL INFORMATION

Source 4WRD II (Watt Reduction Device) LED is a replacement for a standard Source Four burner assembly that converts the HPL source to a white-light LED and provides a significant reduction in power consumption. The simple and quick upgrade is nondestructive and takes less than a minute. In most cases it can even be done without breaking the fixture's focus. Source 4WRD II LED is theatrically dimmable via DMX or line dimmable, with a traditional LED curve, to allow flexibility for your installation. And, because it is an LED source, your fixtures will run cool and efficiently without lamp replacements.

APPLICATIONS

- Energy saving retrofits
- Houses of worship
- Universities and schools
- Hospitality
- Retail
- Exhibition centers
- Meeting rooms
- Clubs
- Theatres

ORDERING INFORMATION

Source 4WRD II

| MODEL        | DESCRIPTION  | PART NUMBER |  |
|--------------|--|-------------|--|
| S4WRDT120    | Source 4WRD II, Retrofit Kit, 120 V  | 7067A1112   |  |
| S4WRDT120FB  | Source 4WRD II, Retrofit Kit, 120 V - w/ Fixture Body                            | 7067A1113   |  |
| S4WRDG120    | Source 4WRD II Gallery (90+ CRI), Retrofit Kit, 120 V                            | 7067A1114   |  |
| S4WRDG120FB  | Source 4WRD II Gallery (90+ CRI), Retrofit Kit, 120 V - w/ Fixture Body          | 7067A1115   |  |
| S4WRDDG120   | Source 4WRD II Daylight Gallery (90+ CRI), Retrofit Kit, 120 V                   | 7067A1116   |  |
| S4WRDDG120FB | Source 4WRD II Daylight Gallery (90+ CRI), Retrofit Kit, 120 V - w/ Fixture Body | 7067A1117   |  |
| S4WRDT230    | Source 4WRD II Retrofit Kit, 230 V   | 7067A1200   |  |
| S4WRDG230    | Source 4WRD II Gallery (90+ CRI) Retrofit Kit, 230 V                             | 7067A1201   |  |
| S4WRDDG230   | Source 4WRD II Daylight Gallery (90+ CRI) Retrofit Kit, 230 V                    | 7067A1202   |  |

For White please add -1 to the Model / Part Number.



**PRODUCT SPECIFICATIONS**

**Source**

|   |  |
|---|--|
| LED details   | S4WRD II LED   |
| Max lumens<br>(3200 K / 3200 K Gallery / Daylight Gallery)      | 11,430 / 9,716 / 10,333                                |
| Lumens per watt<br>(3200 K / 3200 K Gallery / Daylight Gallery) | 120 V: 76.2 / 64.8 / 68.9<br>230 V: 65.3 / 55.5 / 59.0 |
| L70 rating (hours to 70% output)                                | >45,000 hours  |

**Color**

|                         |                                      |
|-------------------------|--------------------------------------|
| Colors used             | Warm or Cool White                   |
| Color temperature range | 3200 K 80 or 90+ CRI, 5900 K 90+ CRI |
| Calibrated array        | N/A                                  |
| Red shift               | No                                   |

**Optical**

|                                  |   |
|----------------------------------|---|
| Field angle range                | Swappable lens tubes between 5–90 degrees |
| Gate size                        | 79 mm                                     |
| Aperture size                    | Lens dependent                            |
| Pattern projection               | Yes                                       |
| Pattern size                     | A or B (see manual)                       |
| Camera flicker control/ Hz range | No, not PWM dimmed                        |

**Control**

|                            |   |
|----------------------------|---|
| Input method               | DMX Control or Line Dimmed*                           |
| Protocols                  | DMX / RDM via RJ45                                    |
| Modes (Footprint)          | 1 Channel (Intensity) for DMX                         |
| RDM configuration          | Yes   |
| UI type                    | 7-segment address display, local level control via UI |
| Local control              | Yes   |
| Onboard presets            | No  |
| Onboard sequences          | No  |
| Onboard effects            | No  |
| Fixture to fixture control | No  |

\*Note: for dimming performance with Unison Legacy DR and/or Sensor Classic, please consult [this support article](#).

**Electrical**

|                            |   |
|----------------------------|---|
| Voltage range              | 114–125 V, 60 Hz (120 V)<br>209–252 V, 50/60 Hz (230 V)   |
| Input method               | Hardwired, 1 m cord, bare end or various connector options (120 V)<br>Hardwired, 1 m cord, bare end (230 V)           |
| Inrush                     | 30 A (first half-cycle) at 120 V<br>12 A (first half-cycle) at 230 V  |
| Fixtures per circuit       | 120 V: 14 (20 A switched circuit, R20 module or similar)<br>230 V: 6 fixtures per non-dimmed circuit (ER15AFR module) |
| Wattage (Typical/ Standby) | 150 W / 1.2 W (120 V)<br>175 W / 3.7 W (230 V)  |
| Current draw               | 1.26 A at 120 V<br>0.75 A at 230 V  |
| Notes                      | - When using line dimming, see the S4WRD manual for dimmer setup.<br>- When using line dimming, standby power is 0 W. |

**Thermal**

|                        |                            |
|------------------------|----------------------------|
| Ambient operating temp | 5°–50° C (41°–122° F)      |
| Fan (controllable)     | Yes (no)                   |
| Droop compensation     | No                         |
| dB range               | 28 dBa (average at 1 m)    |
| BTUs/hour              | 529 (120 V)<br>597 (230 V) |

**Physical**

|                      |                                   |
|----------------------|-----------------------------------|
| Materials            | Die-cast aluminum                 |
| Color options        | Black, white, or custom color     |
| Mounting options     | Yoke                              |
| IP rating            | IP-20, indoor only                |
| Weight               | 3.73 lb (1.69 kg) (Retrofit only) |
| Included accessories | Source 4WRD mounting post         |

**Warranty**

|           |            |
|-----------|------------|
| Fixture   | Five years |
| LED array | Ten years  |

**Regulatory and Compliance**

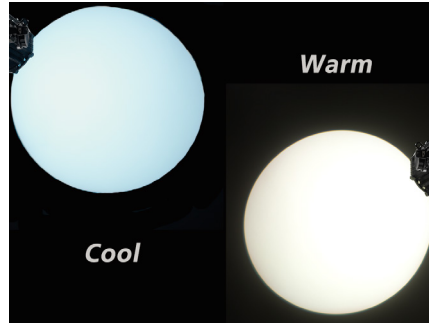
|                               |   |
|-------------------------------|---|
| Approved regulatory standards | UL 1573 (complete luminaire)<br>UL 1598C (retrofit kit)<br>CSA C22.2 No. 166 (complete luminaire)<br>CSA TIL B79-A (retrofit kit)<br>CE Compliant |
|-------------------------------|---|

PRODUCT FEATURES



**EASY LED RETROFIT**

Designed to turn any full size Source Four incandescent fixture into an LED fixture in seconds.



**MULTIPLE OPTIONS**

Available in both 3200 K and 5900 K color temperatures.

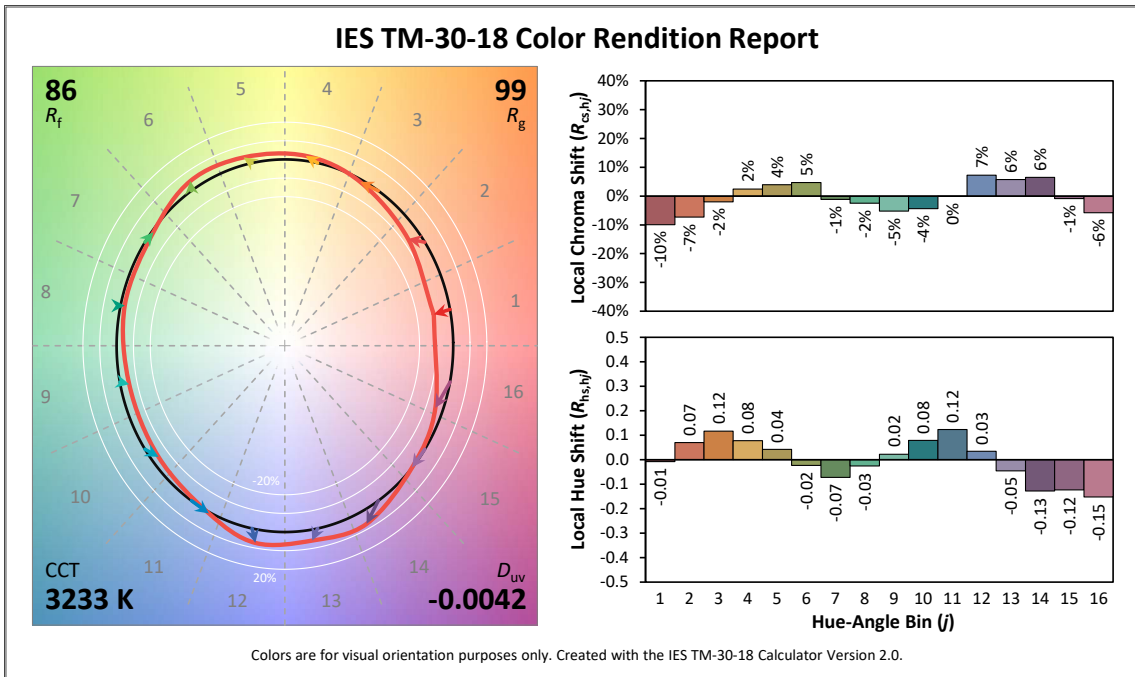


**IMPRESSIVE OUTPUT**

As bright or brighter than most HPL lamps.

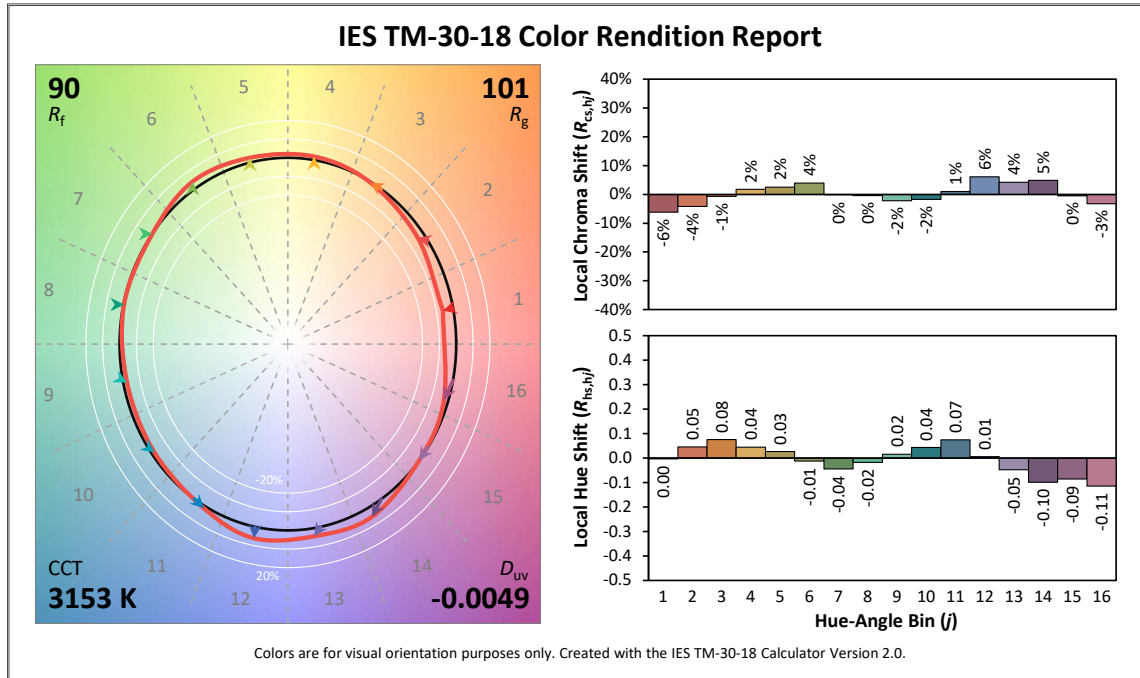
COLOR METRIC INFORMATION

SOURCE 4WRD II 3200 K TM-30-18 - 80CRI

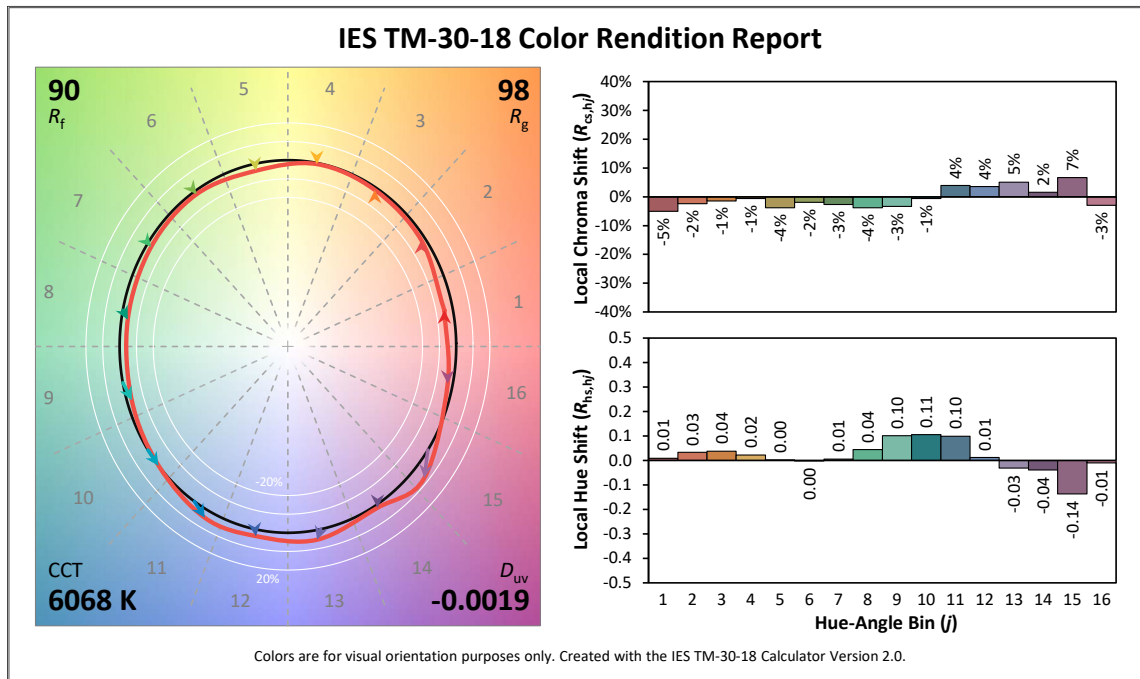


COLOR METRIC INFORMATION

SOURCE 4WRD II GALLERY 3200 K 90CRI



SOURCE 4WRD II DAYLIGHT GALLERY 5900 K 90CRI



Additional Color Metrics

|                     | STANDARD | GALLERY | DAYLIGHT GALLERY |
|---------------------|----------|---------|------------------|
| CRI $R_a$ ( $R_g$ ) | 81 (9)   | 92 (59) | 93 (73)          |
| TLCI                | 66       | 92      | 95               |

## PHOTOMETRY INFORMATION

For full Source 4WRD II photometry data, please view the Source 4WRD II Photometry Guide at [etcconnect.com](http://etcconnect.com).

| DEGREE  | S4WRD II LED | S4WRD II LED GALLERY | S4WRD II LED DAYLIGHT GALLERY | HPL 575 W / 120 V | HPL 750 W / 115 V | HPL 400 HR 575 W / 230 V | HPL 300 HR 750 W / 230 V |
|---------|--------------|----------------------|-------------------------------|-------------------|-------------------|--------------------------|--------------------------|
| 5       | 6,977        | 5,930                | 6,307                         | 5,247             | 9,370             | 5,554                    | 7,028                    |
| 10      | 8,243        | 7,007                | 7,452                         | 6,678             | 11,925            | 4,979                    | 8,944                    |
| 14      | 8,594        | 7,305                | 7,769                         | 7,196             | 12,850            | 7,839                    | 9,638                    |
| 19      | 7,763        | 6,599                | 7,018                         | 6,261             | 11,180            | 6,820                    | 8,385                    |
| 19 EDLT | 9,077        | 7,715                | 7,497                         | 7,287             | 13,012            | 7,937                    | 9,759                    |
| 26      | 8,941        | 7,600                | 8,083                         | 7,666             | 13,690            | 8,351                    | 10,268                   |
| 26 EDLT | 11,430       | 9,716                | 10,333                        | 8,631             | 15,412            | 9,401                    | 11,559                   |
| 36      | 10,644       | 9,047                | 9,622                         | 7,974             | 14,240            | 8,686                    | 10,680                   |
| 36 EDLT | 10,793       | 9,174                | 9,757                         | 7,992             | 14,271            | 8,705                    | 10,703                   |
| 50      | 10,281       | 8,739                | 9,294                         | 7,829             | 13,980            | 8,528                    | 10,485                   |
| 50 EDLT | 10,199       | 8,669                | 9,220                         | 8,085             | 14,437            | 8,807                    | 10,828                   |
| 70      | 11,929       | 10,140               | 10,784                        | 9,033             | 16,130            | 9,839                    | 12,098                   |
| 90      | 11,953       | 10,160               | 10,806                        | 7,395             | 13,205            | 8,055                    | 9,904                    |

## ORDERING INFORMATION

Continued from front page...

## Source Four Accessories

| MODEL       | DESCRIPTION  | CE PART NUMBERS |
|-------------|--|-----------------|
| 400PH-A     | Pattern holder (A size)  | 7060A1013       |
| 400PH-B     | Pattern holder (B size)  | 7060A1014       |
| 400PH-G     | Glass pattern holder   | 7060A1019       |
| 400SC       | Safety cable   | 7060A1022       |
| 400RS       | Drop-in iris   | 7060A1012       |
| 400CF       | Colorframe (160 mm / 6.25 in)                                    | 7060A3043       |
| 400DN       | Donut (160 mm / 6.25 in)   | 7060A1015       |
| 400TH       | Top hat  | PSF1021         |
| 400HH       | Half hat   | PSF10216        |
| 407CF       | 7.5 in Square color frame (required for 14°, 70°, 90° and 407GE) | 7061A3007       |
| 400FB       | Source Four fixture body, single clutch                          | 7060A1099       |
| S4WRDACCKIT | Data Accessory Kit, Includes W6538, W6539 & N4086                | 7067K1001       |
| W6538       | RJ45 to Female 5-pin XLR adapter                                 | W6538           |
| W6539       | RJ45 to Male 5-pin XLR adapter                                   | W6539           |
| N4086       | RJ45 DMX Terminator  | N4086           |

Note: For colors other than black or white, please call ETC.

## Lens Tubes

| MODEL   | DESCRIPTION                                   | CE PART NUMBERS |
|---------|---|-----------------|
| 490LT   | 90° Lens tube with lens installed, Black      | 7060A2052-K     |
| 470LT   | 70° Lens tube with lens installed, Black      | 7060A2051-K     |
| 450LT   | 50° Lens tube with lens installed, Black      | 7060A2205-K     |
| 436LT   | 36° Lens tube with lens installed, Black      | 7060A2204-K     |
| 426LT   | 26° Lens tube with lens installed, Black      | 7060A2203-K     |
| 419LT   | 19° Lens tube with lens installed, Black      | 7060A2202-K     |
| 414LT   | 14° Lens tube with lens installed, Black      | 7060A2050-K     |
| 410LT   | 10° Lens tube with lens installed, Black      | 7060A2001-K     |
| 405LT   | 5° Lens tube with lens installed, Black       | 7060A2000-K     |
| 450EDLT | 50° EDLT Lens tube with lens installed, Black | 7060A2049       |
| 436EDLT | 36° EDLT Lens tube with lens installed, Black | 7060A2048       |
| 426EDLT | 26° EDLT Lens tube with lens installed, Black | 7060A2047       |
| 419EDLT | 19° EDLT Lens tube with lens installed, Black | 7060A2046       |

PHYSICAL

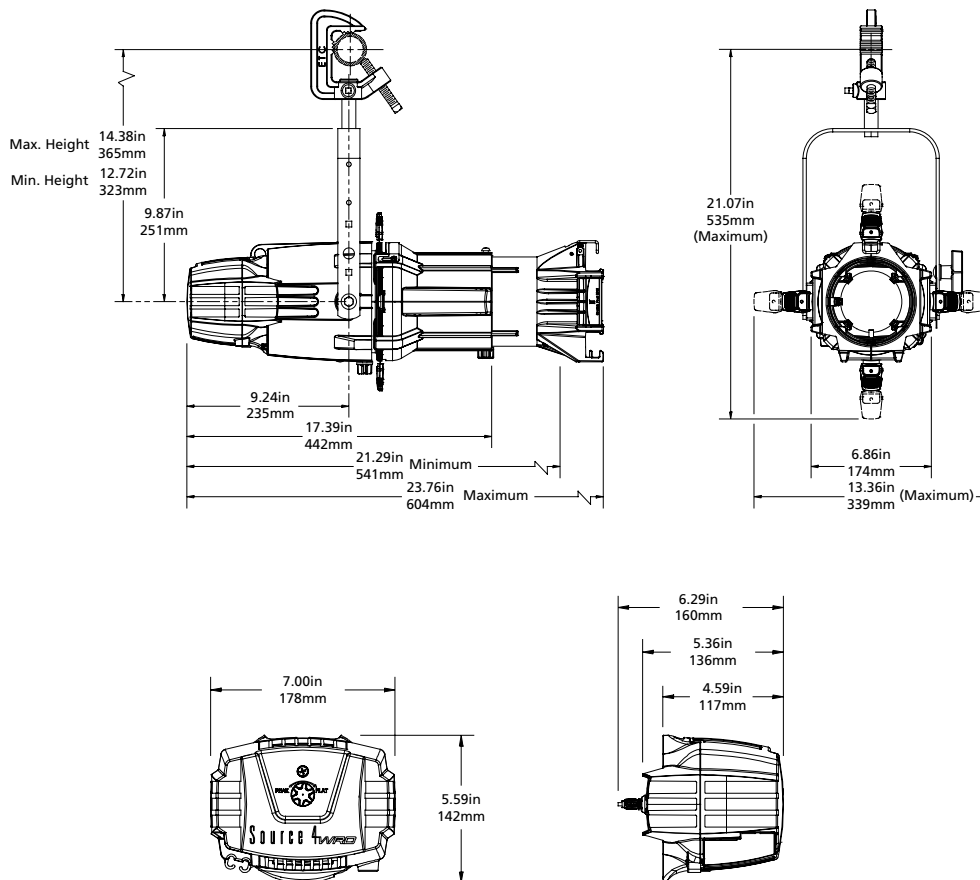
Source 4WRD II Dimensions (120 V and 230 V)

| MODEL                             | HEIGHT |     | WIDTH |     | DEPTH |     |
|-----------------------------------|--------|-----|-------|-----|-------|-----|
|                                   | in     | mm  | in    | mm  | in    | mm  |
| S4WRDT/S4WRDTG/S4WRDDG            | 5.59   | 142 | 7.00  | 178 | 6.29  | 160 |
| S4WRDFB/S4WRDGF with 26 deg. lens | 21.07  | 535 | 13.36 | 339 | 23.76 | 604 |

Source 4WRD II Weights\* (120 V and 230 V)

| MODEL                     | WEIGHT |      | SHIPPING WEIGHT |      |
|---------------------------|--------|------|-----------------|------|
|                           | lb     | kg   | lb              | kg   |
| S4WRDT/S4WRDTG/S4WRDDG    | 3.73   | 1.69 | 4.25            | 1.93 |
| S4WRDFB/S4WRDGF (no lens) | 13.20  | 5.99 | 14.00           | 6.35 |

\*Source 4WRD II adds 0.93 kg (2.05 lb) to the total fixture weight over a standard burner assembly.



Corporate Headquarters • Middleton, WI USA  
 Global Offices • London, UK • Rome, IT • Holzkirchen, DE • Paris, FR • Hong Kong  
 Dubai, UAE • Singapore • New York, NY • Orlando, FL • Los Angeles, CA • Austin, TX  
 ©2024 ETC. All Rights Reserved. All product information and specifications subject to change. Rev I 2024-03  
 \*Trademark and patent info: [etconnect.com/IP](http://etconnect.com/IP) • Third-party license agreement info: [etconnect.com/licenses](http://etconnect.com/licenses)