

Type(s)
Project
Date
Notes



PLAYBACK WING 4



MASTER WING 4

GENERAL INFORMATION

Wings help your pig fly! The Master Wing 4 is equally at home next to a big Hog console or as part of a Hog 4 PC system. It provides 30 additional faderless playback capabilities for all Hog 4 consoles, the HPU and Hog 4 PC software.

The Playback Wing 4 provides ten additional faders plus one Grand Master, all motorized. All Hog 4 consoles, the HPU and Hog 4 PC software all benefit from the additional playback hardware the Playback Wing 4 offers.

The wings use the same high quality controls as found in the Hog 4 range of consoles, ensuring responsive and reliable operation. One Hog LED desk light is supplied with each wing, fully dimmable and software controllable. A 15.6-inch touchscreen is integrated in each wing allowing you to expand your console using one integrated unit.

PRODUCT FEATURES

- USB connection to any Hog 4 family console, the HPU or Hog 4 PC
- Internal 15.6-inch 10-point touchscreen
- Master Choose column and paging buttons
- Super Widget Expansion slot provides space for optional four DMX outputs
- Master Wing 4: 30 faderless masters each with Choose, Go and Flash Buttons
- Playback Wing 4: 10 motorized playback faders and motorized Grand Master

ORDERING INFORMATION

Master Wing 4 and Playback Wing 4

MODEL	DESCRIPTION
61040062	Master Wing 4
61040060	Playback Wing 4

Ships with: dust cover, dimmable white/blue desk light.

Additional Accessories

MODEL	DESCRIPTION
61070012	Playback/Master Wing 4 road case
61080006	Playback/Master Wing 4 dust cover, replacement
61100004	Hog white/blue desk light (replacement)
61040109	Wing 4/NanoHog 4 Super Widget expansion kit
74040010	Hog USB MIDI/LTC Widget expansion kit



PRODUCT SPECIFICATIONS

MASTER WING 4

- USB connection to any Hog 4 console, the HPU or Hog 4 PC
- Internal 15.6-inch 10-point touchscreen
- 30 faderless masters each with Choose, Go and Flash Buttons
- Master Choose column and paging buttons
- Dedicated rate wheel

INTERFACES AND ACCESSORIES

- Super Widget Expansion slot provides space for optional four DMX outputs
- USB 2.0 ports: 2 rear

ELECTRICAL AND ENVIRONMENTAL

- ETL, CETL and CE compliance
- Mains power: 100–250 VAC, 50/60 Hz, max 100 W
- Mains connector: IEC320 C13
- Fuse: 1x 5x20 mm 5AT fuse

PLAYBACK WING 4

- USB connection to any Hog 4 console, the HPU or Hog 4 PC
- Internal 15.6-inch 10-point touchscreen
- 10 motorized playback faders
- Motorized Grand Master
- Master Choose column and paging buttons

INTERFACES AND ACCESSORIES

- Super Widget Expansion slot provides space for optional four DMX outputs
- USB 2.0 ports: 2 rear

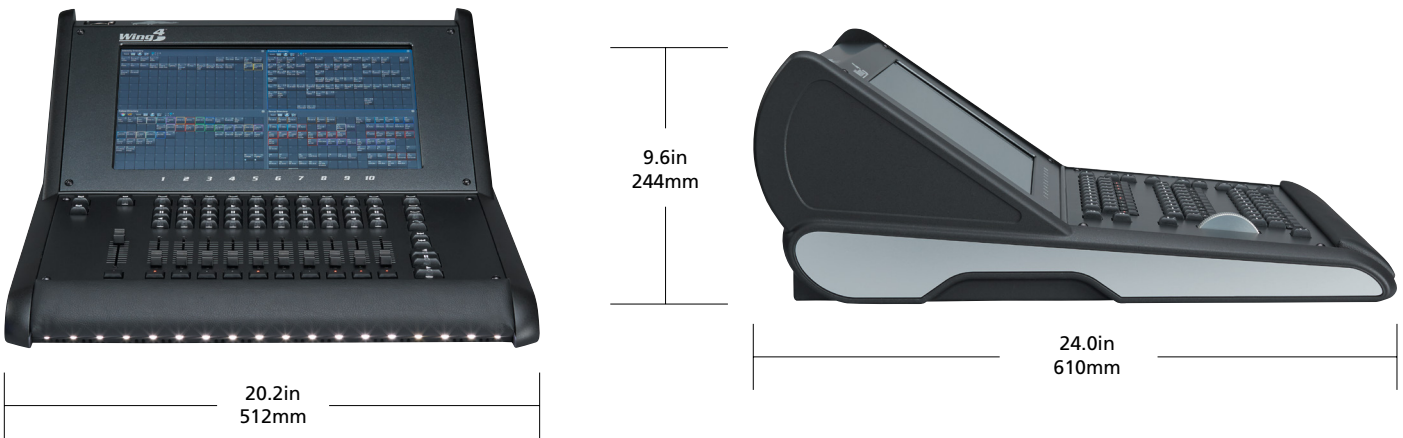
ELECTRICAL AND ENVIRONMENTAL

- ETL, CETL and CE compliance
- Mains power: 100–250 VAC, 50/60 Hz, max 100 W
- Mains connector: IEC320 C13
- Fuse: 1x 5x20 mm 5AT fuse

PHYSICAL

MASTER WING 4/PLAYBACK WING 4 DIMENSIONS

MODEL	HEIGHT		WIDTH		DEPTH		WEIGHT	
	in	mm	in	mm	in	mm	lb	kg
Master Wing 4	9.6	244	20.2	512	24	610	27.6	12.5
Playback Wing 4	9.6	244	20.2	512	24	610	27.6	12.5



Corporate Headquarters • Middleton, WI USA
 Global Offices • London, UK • Rome, IT • Holzkirchen, DE • Paris, FR • Hong Kong
 Dubai, UAE • Singapore • New York, NY • Orlando, FL • Los Angeles, CA • Austin, TX
 Copyright©2023 ETC. All Rights Reserved. All product information and specifications subject to change. Rev C 2023-01
 *Trademark and patent info: etcconnect.com/IE

etcconnect.com