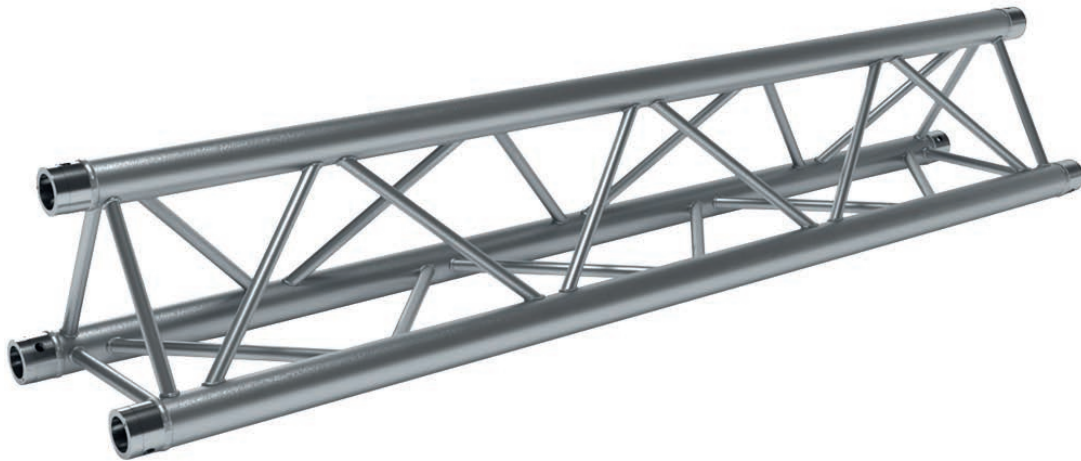




NX33 TRIANGLE Truss



NX33 TRIANGLE

Meet one of our dedicated trusses for the exhibition industry, it is a mid-sized triangular truss that is meant for medium-duty use. The NX33 truss is made of main tubes (51 x 2 mm) and braces (16 x 2 mm).

The NX33 triangular truss can be used perfectly for trade shows, exhibitions, fairs, etc. But it is also a product that is a popular choice for many other purposes and applications.

Equipped with the NC1 conical coupling system, the NX33 truss is quick and easy to assemble. NX33 truss also has a series of corners and accessories.

THE ESSENTIALS

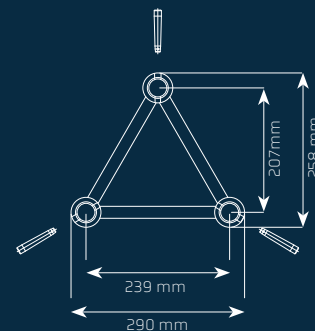
- Fast and easy assembly
- Lightweight system
- Versatile application

Technical specifications

Height	258 mm	10.16 in
Width	290 mm	11.42 in
Size Main Tube	51 x 2 mm	2 x 0.08 in
Size Bracing	16 x 2 mm	0.62 x 0.08 in
Weight	~3.8 kg/m	~2.6 lb/ft

Pin Position	Vertical/Diagonal
Coupling System	NC1
Alloy	EN AW 6082 T6

Diagram





NX33 Loading charts



Metric Loading Charts

Span	UDL		CPL		1/3 Point load		1/4 Point load		1/5 Point load	
m	kg/m	mm	kg	mm	kg (2x)	mm	kg (3x)	mm	kg (4x)	mm
2	795	2,6	911*	2,4	622*	2,7	425*	2,6	390*	3
3	453	7,4	632*	5,5	454*	6,8	333*	6,9	269*	7,1
4	253	13,2	487*	10,2	350*	12,4	248*	12,3	205*	12,9
5	160	20,6	390*	16,1	287*	20,1	199*	19,4	164*	20,4
6	110	29,8	322*	23,3	239*	29,2	164*	28	136*	29,4
7	80	40,5	276*	32,2	205*	40,2	139*	38,2	116*	40,5
8	60	53	238*	42,3	179*	53,1	120*	50,1	100*	52,9
10	37	83,1	184*	66,9	140*	84	93*	78,7	78*	83
12	25	120,2	149*	98,6	112,8*	122,5	74*	114	62,6*	121

Imperial Loading Charts

Span	UDL		CPL		1/3 Point load		1/4 Point load		1/5 Point load	
ft	lbs/ft	in	lbs	in	lbs (2x)	in	lbs (3x)	in	lbs (4x)	in
6,6	535	1	2008*	1	1371*	1	937*	1	860*	1
9,8	305	3	1393*	2	1001*	3	734*	3	593*	3
13,1	170	5	1074*	4	772*	5	547*	5	452*	5
16,4	108	8	860*	6	633*	8	439*	8	362*	8
19,7	74	12	710*	9	527*	11	362*	11	300*	12
23,0	54	16	608*	13	452*	16	306*	15	256*	16
26,2	41	21	525*	17	395*	21	265*	20	220*	21
32,8	25	33	406*	26	309*	33	205*	31	172*	33
39,4	17	47	328*	39	249*	48	163*	45	138*	48

- High values of distributed loads are idealized. Loads must be applied to node points!
- Full loading tables are available on request.

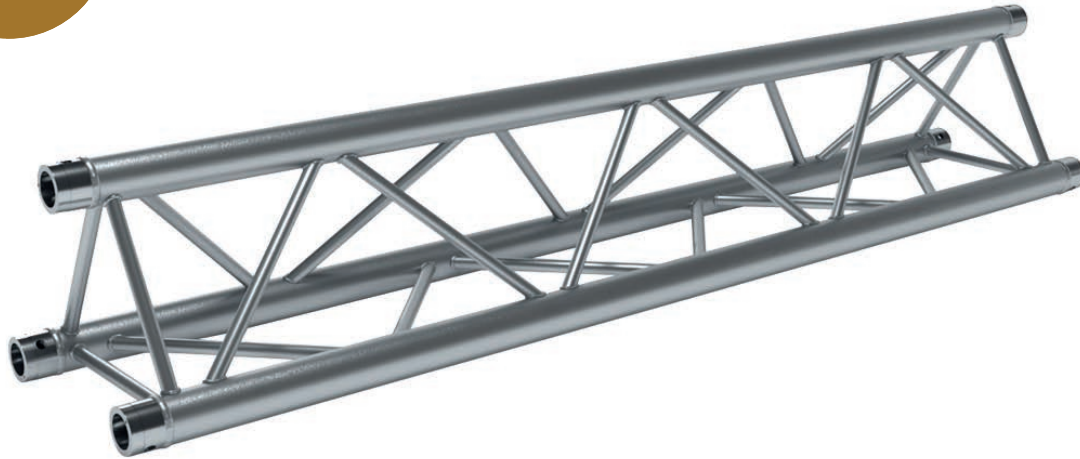
* limited by interaction of shear and moment at the connection
Displacement connection is decisive!



NH33 TRIANGLE Truss



Heavy Duty
48.3x3 mm



NH33 TRIANGLE

The NH33 truss is made of main tubes (48.3 x 3 mm) and braces (16 x 2 mm). It is our mid-sized triangular stage truss that is extremely versatile.

Equipped with the NC1 conical coupling system, the NH33 truss is quick and easy to assemble.

Triangular trusses are mostly used for permanent installation or decorating purposes. The NH33 is mainly designed for use in the installation, rental and exhibition market. But it is also a popular choice for many other purposes and applications.

NH33 truss also has a series of corners and accessories.

THE ESSENTIALS

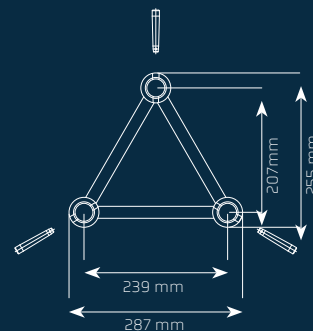
- Fast and easy assembly
- Lightweight system
- TÜV Approved
- Versatile application

Technical specifications

Height	255 mm	10.03 in
Width	287 mm	11.3 in
Size Main Tube	48.3 x 3 mm	1.90 x 0.11 in
Size Bracing	16 x 2 mm	0.62 x 0.08 in
Weight	~4.5 kg/mtr	~3 lb/ft

Pin Position	Vertical/Diagonal
Coupling System	NC1
Alloy	EN AW 6082 T6

Diagram





NH33 Loading charts



Metric Loading Charts

Span	UDL		CPL		1/3 Point load		1/4 Point load		1/5 Point load	
m	kg/m	mm	kg	mm	kg (2x)	mm	kg (3x)	mm	kg (4x)	mm
2	791	1.8	1420	2.7	791	2.5	527	2.3	395	2.2
3	526	6.2	943	6	707	7.6	471	7.1	393	7.5
4	352	13.3	704	10.6	528	13.5	352	12.6	293	13.4
5	223	20.7	559	16.7	419	21.2	279	19.7	233	20.9
6	154	29.9	462	24.1	346	30.5	231	28.4	192	30.1
8	84	53.2	339	43.1	254	54.3	169	50.7	141	53.6
10	52	83.4	264	68	198	85.1	132	79.6	110	84
12	35	120.5	212	99.2	159	122.9	106	115.2	88	121.4
14	25	164.7	174	136.9	131	167.8	87.3	157.7	72	165.8

Imperial Loading Charts

Span	UDL		CPL		1/3 Point load		1/4 Point load		1/5 Point load	
ft	lbs/ft	in	lbs	in	lbs (2x)	in	lbs (3x)	in	lbs (4x)	in
6.6	532	1	3132	1	1746	1	1163	1	873	1
9.8	354	2	2081	2	1560	3	1040	3	867	3
13.1	237	5	1552	4	1164	5	776	5	647	5
16.4	150	8	1234	7	925	8	617	8	514	8
19.7	104	12	1020	9	765	12	510	11	425	12
26.25	57	21	749	17	562	21	375	20	312	21
32.81	35	32.8	582	26.8	437	33.5	291	31.3	242	33.1
39.37	23	47.4	468	39.1	351	48.4	234	45.4	195	47.8
45.93	16	64.8	385	53.9	288	66.1	192	62.1	160	65.3

- High values of distributed loads are idealized. Loads must be applied to node points!
- Full loading tables are available on request.



NX33 LENGTHS



Productcode	Description
NX33-021	TRIANGLE NX33 LENGTH 21 CM 51X2mm
NX33-025	TRIANGLE NX33 LENGTH 25 CM 51X2mm
NX33-029	TRIANGLE NX33 LENGTH 29 CM 51X2mm
NX33-050	TRIANGLE NX33 LENGTH 50 CM 51X2mm
NX33-058	TRIANGLE NX33 LENGTH 58 CM 51X2mm
NX33-071	TRIANGLE NX33 LENGTH 71 CM 51X2mm
NX33-075	TRIANGLE NX33 LENGTH 75 CM 51X2mm
NX33-100	TRIANGLE NX33 LENGTH 100 CM 51X2mm
NX33-150	TRIANGLE NX33 LENGTH 150 CM 51X2mm
NX33-200	TRIANGLE NX33 LENGTH 200 CM 51X2mm
NX33-250	TRIANGLE NX33 LENGTH 250 CM 51X2mm
NX33-300	TRIANGLE NX33 LENGTH 300 CM 51X2mm
NX33-350	TRIANGLE NX33 LENGTH 350 CM 51X2mm
NX33-400	TRIANGLE NX33 LENGTH 400 CM 51X2mm

NH33 LENGTHS



Productcode	Description
NH33-021	TRIANGLE NH33 LENGTH 21 CM 51X2mm
NH33-025	TRIANGLE NH33 LENGTH 25 CM 51X2mm
NH33-029	TRIANGLE NH33 LENGTH 29 CM 51X2mm
NH33-050	TRIANGLE NH33 LENGTH 50 CM 51X2mm
NH33-058	TRIANGLE NH33 LENGTH 58 CM 51X2mm
NH33-071	TRIANGLE NH33 LENGTH 71 CM 51X2mm
NH33-075	TRIANGLE NH33 LENGTH 75 CM 51X2mm
NH33-100	TRIANGLE NH33 LENGTH 100 CM 51X2mm
NH33-150	TRIANGLE NH33 LENGTH 150 CM 51X2mm
NH33-200	TRIANGLE NH33 LENGTH 200 CM 51X2mm
NH33-250	TRIANGLE NH33 LENGTH 250 CM 51X2mm
NH33-300	TRIANGLE NH33 LENGTH 300 CM 51X2mm
NH33-350	TRIANGLE NH33 LENGTH 350 CM 51X2mm
NH33-400	TRIANGLE NH33 LENGTH 400 CM 51X2mm



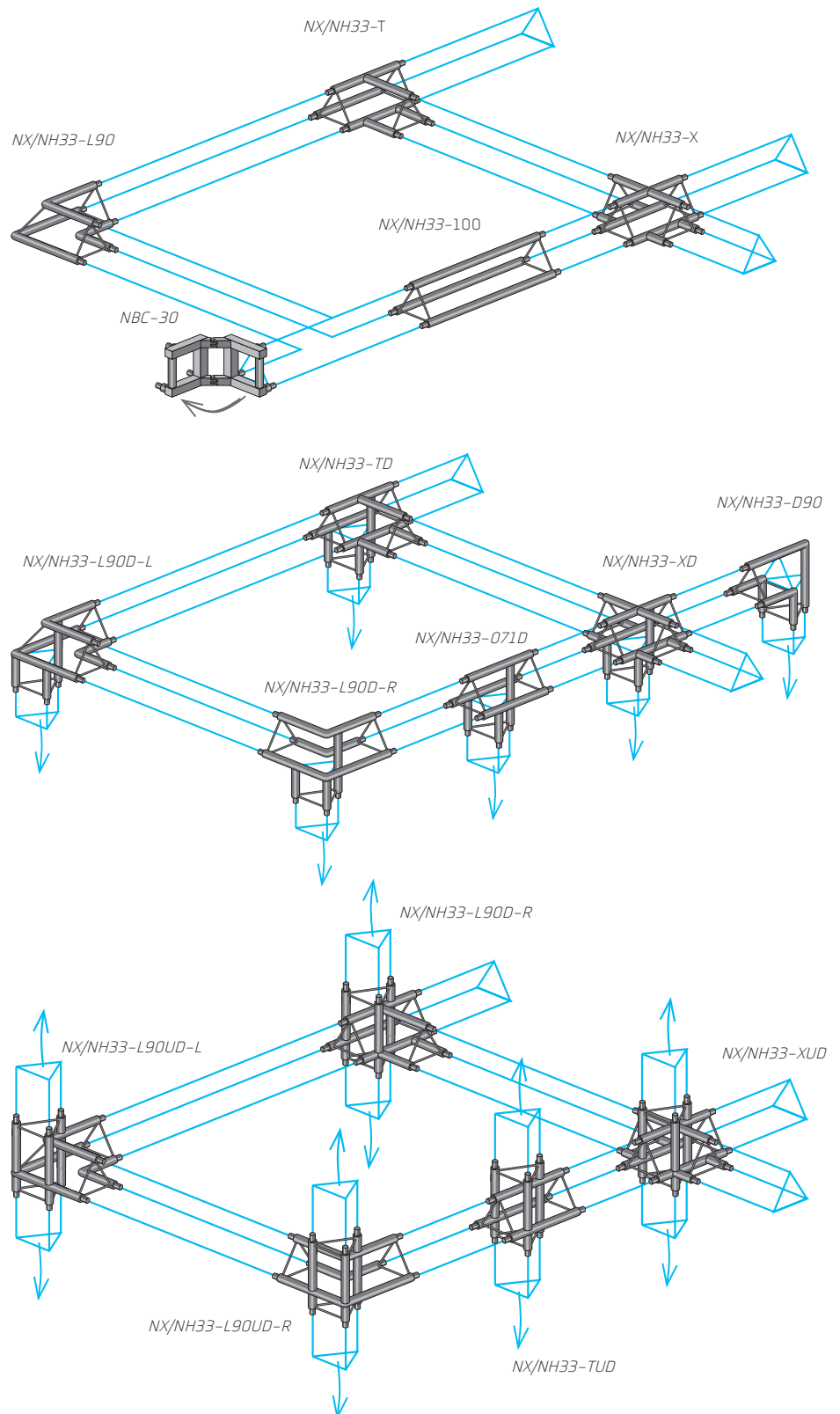
NX/NH33 Corners

In the NX/NH33 series, corner pieces are widely represented, there are many possibilities to perfectly connect the NX/NH33 corner collection with the straight elements. Let your creativity run wild because these corner pieces offer endless

possibilities. The NX/NH33 series allows a wide variety of structural shapes up to three levels by using corners, crosspieces, T and X-pieces.

Productcode	Size in cm
NX/NH33-L45	100x100
NX/NH33-L60	100x100
NX/NH33-L90	50x50
NX/NH33-L120	50x50
NX/NH33-L135	50x50
NX/NH33-D90	50x50
NX/NH33-U90	50x50
NX/NH33-L90U-R	50x50x50
NX/NH33-L90U-L	50x50x50
NX/NH33-L90D-R	50x50x50
NX/NH33-L90D-L	50x50x50
NX/NH33-T	71x50
NX/NH33-071D	71x50
NX/NH33-071U	71x50
NX/NH33-L90UD-R	50x50x74
NX/NH33-L90UD-L	50x50x74
NX/NH33-X	71x71
NX/NH33-TD	71x50
NX/NH33-TU	71x50
NX/NH33-TUD	71x50x74
NX/NH33-XD	71x71x50
NX/NH33-XU	71x71x50
NX/NH33-XUD	71x71x74

LxWxH



All corners are shown without bracing to improve indication of direction.