



NX34 SQUARE Truss



NX34 SQUARE

The NX34 Square truss is a 4-point version engineered from main tubes (51 x 2 mm) and braces (16 x 2 mm). It is particularly well suited for stand construction, store fitting, and event technology at medium-duty use.

Equipped with the NC1 conical coupling system, the NX34 truss is fast and easy to assemble.

The compact construction in combination with a high load capacity makes this system ideal for applications ranging from a simple exhibition stand to complex rigging constructions

NX34 truss also has a series of corners and accessories.

THE ESSENTIALS

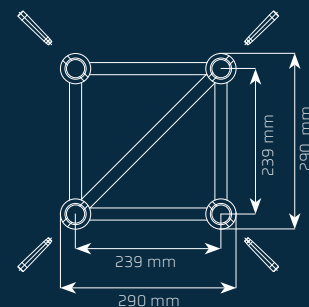
- Fast and easy assembly
- Lightweight system
- TÜV Approved
- Can be used as a tower truss

Technical specifications

| | | |
|----------------|-----------|----------------|
| Height | 290 mm | 11.42 in |
| Width | 290 mm | 11.42 in |
| Size Main Tube | 51x 2 mm | 2 x 0.07 in |
| Size Bracing | 16 x 2 mm | 0.62 x 0.08 in |
| Weight | ~5 kg/mtr | ~3,4 lb/ft |

| | |
|-----------------|---------------|
| Pin Position | Diagonal |
| Coupling System | NC1 |
| Alloy | EN AW 6082 T6 |

Diagram





NX34 Loading charts



Metric Loading Charts

| Span | UDL | | CPL | | 1/3 Point load | | 1/4 Point load | | 1/5 Point load | |
|------|------|-------|-------|-------|----------------|-------|----------------|-------|----------------|-------|
| | | | | | | | | | | |
| m | kg/m | mm | kg | mm | kg [2x] | mm | kg [3x] | mm | kg [4x] | mm |
| 2 | 902 | 1,5 | 1751* | 2,3 | 902 | 2 | 601 | 1,9 | 451 | 1,8 |
| 3 | 600 | 5 | 1307* | 5,8 | 873* | 6,5 | 600 | 6,3 | 450 | 6 |
| 4 | 448 | 11,8 | 1036* | 10,9 | 715* | 12,8 | 565* | 14 | 448 | 14,2 |
| 6 | 259 | 34,7 | 723* | 26 | 519* | 31,6 | 381* | 32,3 | 308* | 33,2 |
| 8 | 143 | 61,7 | 546* | 47,4 | 401* | 58,8 | 282* | 57,6 | 232* | 60,4 |
| 10 | 90 | 96,6 | 434* | 75,4 | 322* | 93,9 | 224* | 91,1 | 184* | 95,5 |
| 12 | 61 | 139,4 | 357* | 110,6 | 265* | 137 | 182* | 131,8 | 150* | 137,9 |
| 14 | 43 | 190,3 | 301* | 153,5 | 226* | 190,6 | 152* | 180,1 | 127* | 189,9 |
| 16 | 32 | 249,3 | 255* | 202,8 | 193* | 251,9 | 129* | 236,5 | 107* | 248,9 |

Imperial Loading Charts

| Span | UDL | | CPL | | 1/3 Point load | | 1/4 Point load | | 1/5 Point load | |
|------|--------|----|-------|----|----------------|----|----------------|----|----------------|----|
| | | | | | | | | | | |
| ft | lbs/ft | in | lbs | in | lbs [2x] | in | lbs [3x] | in | lbs [4x] | in |
| 6,6 | 606 | 1 | 3860* | 1 | 1989 | 1 | 1326 | 1 | 995 | 1 |
| 9,8 | 403 | 2 | 2881* | 2 | 1925* | 3 | 1323 | 2 | 992 | 2 |
| 13,1 | 302 | 5 | 2284* | 4 | 1576* | 5 | 1246* | 6 | 990 | 6 |
| 19,7 | 174 | 14 | 1594* | 10 | 1144* | 12 | 840* | 13 | 679* | 13 |
| 26,2 | 97 | 24 | 1204* | 19 | 884* | 23 | 622* | 23 | 511* | 24 |
| 32,8 | 61 | 38 | 957* | 30 | 710* | 37 | 494* | 36 | 406* | 38 |
| 39,4 | 41 | 55 | 787* | 44 | 584* | 54 | 401* | 52 | 331* | 54 |
| 45,9 | 29 | 75 | 664* | 60 | 498* | 75 | 335* | 71 | 280* | 75 |
| 52,5 | 22 | 98 | 562* | 80 | 425* | 99 | 284* | 93 | 236* | 98 |

- High values of distributed loads are idealized. Loads must be applied to node points!
- Full loading tables are available on request.

* limited by interaction of shear and moment at the connection
Displacement connection is decisive!



NH34 SQUARE Truss



Heavy Duty
48.3x3 mm



NH34 SQUARE

The NH34 Square truss is engineered from main tubes (48.3 x 3 mm) and braces (16 x 2 mm). It is our mid-sized square stage truss that is extremely versatile.

Equipped with the NC1 conical coupling system, the NH34 truss is fast and easy to assemble.

The NH34 truss can be found in rental fleets all over the globe, where its optimum strength and flexible application possibilities make it well-loved and much used.

NH34 truss also has a series of corners and accessories.

THE ESSENTIALS

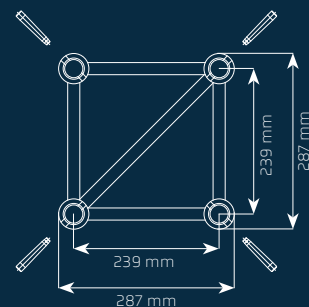
- Fast and easy assembly
- Lightweight system
- TÜV Approved
- Can be used as a tower truss in the NT30 Tower

Technical specifications

| | | |
|----------------|-------------|----------------|
| Height | 287 mm | 11.3 in |
| Width | 287 mm | 11.3 in |
| Size Main Tube | 48.3 x 3 mm | 1.90 x 0.11 in |
| Size Bracing | 16 x 2 mm | 0.62 x 0.08 in |
| Weight | ~7 kg/m | ~4,7 lb/ft |

| | |
|-----------------|---------------|
| Pin Position | Diagonal |
| Coupling System | NC1 |
| Alloy | EN AW 6082 T6 |

Diagram





NH34 Loading charts

Metric Loading Charts

| Span | UDL | | CPL | | 1/3 Point load | | 1/4 Point load | | 1/5 Point load | |
|------|------|-------|------|-------|----------------|-------|----------------|-------|----------------|-------|
| | | | | | | | | | | |
| m | kg/m | mm | kg | mm | kg (2x) | mm | kg (3x) | mm | kg (4x) | mm |
| 2 | 900 | 1.1 | 1801 | 1.7 | 900 | 1.4 | 600 | 1.3 | 450 | 1.3 |
| 4 | 448 | 8.5 | 1632 | 12.4 | 894 | 11.6 | 596 | 10.7 | 447 | 10.3 |
| 6 | 295 | 28.7 | 1077 | 27.9 | 808 | 35.5 | 538 | 33.1 | 443 | 34.6 |
| 8 | 199 | 61.9 | 797 | 49.9 | 597 | 63.2 | 398 | 58.9 | 332 | 62.4 |
| 10 | 125 | 96.9 | 626 | 78.5 | 469 | 98.9 | 313 | 92.3 | 260 | 97.6 |
| 12 | 85 | 139.8 | 510 | 114 | 382 | 142.7 | 255 | 133.4 | 212 | 140.9 |
| 14 | 60 | 190.9 | 425 | 156.7 | 318 | 194.7 | 212 | 182.3 | 177 | 192.2 |
| 16 | 45 | 250.1 | 360 | 206.9 | 270 | 254.9 | 180 | 239.3 | 150 | 251.8 |
| 18 | 34 | 317.7 | 307 | 265.1 | 230 | 323.5 | 153 | 304.5 | 128 | 319.8 |

Imperial Loading Charts

| Span | UDL | | CPL | | 1/3 Point load | | 1/4 Point load | | 1/5 Point load | |
|-------|--------|-------|------|-------|----------------|-------|----------------|-------|----------------|-------|
| | | | | | | | | | | |
| ft | lbs/ft | in | lbs | in | lbs (2x) | in | lbs (3x) | in | lbs (4x) | in |
| 6.6 | 605 | 0 | 3971 | 1 | 1985 | 1 | 1323 | 1 | 993 | 1 |
| 13.1 | 301 | 3 | 3599 | 5 | 1971 | 5 | 1314 | 4 | 985 | 4 |
| 19.7 | 199 | 11 | 2376 | 11 | 1782 | 14 | 1188 | 13 | 978 | 14 |
| 26.2 | 134 | 24 | 1757 | 20 | 1318 | 25 | 879 | 23 | 732 | 25 |
| 32.8 | 84 | 38 | 1380 | 31 | 1035 | 39 | 690 | 36 | 575 | 38 |
| 39.37 | 57 | 55 | 1124 | 45 | 843 | 56 | 562 | 53 | 468 | 55 |
| 45.93 | 40 | 75.2 | 937 | 61.7 | 703 | 76.7 | 468 | 71.8 | 390 | 75.7 |
| 52.49 | 30 | 98.5 | 793 | 81.5 | 595 | 100.4 | 396 | 94.2 | 330 | 99.1 |
| 59.05 | 23 | 125.1 | 678 | 104.4 | 509 | 127.4 | 339 | 119.9 | 282 | 125.9 |

- High values of distributed loads are idealized. Loads must be applied to node points!
- Full loading tables are available on request.



NX34 LENGTHS



| Productcode | Description |
|-------------|----------------------------------|
| NX34-021 | SQUARE NX34 LENGTH 21 CM 51X2mm |
| NX34-025 | SQUARE NX34 LENGTH 25 CM 51X2mm |
| NX34-029 | SQUARE NX34 LENGTH 29 CM 51X2mm |
| NX34-050 | SQUARE NX34 LENGTH 50 CM 51X2mm |
| NX34-058 | SQUARE NX34 LENGTH 58 CM 51X2mm |
| NX34-071 | SQUARE NX34 LENGTH 71 CM 51X2mm |
| NX34-075 | SQUARE NX34 LENGTH 75 CM 51X2mm |
| NX34-100 | SQUARE NX34 LENGTH 100 CM 51X2mm |
| NX34-150 | SQUARE NX34 LENGTH 150 CM 51X2mm |
| NX34-200 | SQUARE NX34 LENGTH 200 CM 51X2mm |
| NX34-250 | SQUARE NX34 LENGTH 250 CM 51X2mm |
| NX34-300 | SQUARE NX34 LENGTH 300 CM 51X2mm |
| NX34-350 | SQUARE NX34 LENGTH 350 CM 51X2mm |
| NX34-400 | SQUARE NX34 LENGTH 400 CM 51X2mm |

NH34 LENGTHS



| Productcode | Description |
|-------------|------------------------------------|
| NH34-021 | SQUARE NH34 LENGTH 21 CM 48,3x3mm |
| NH34-025 | SQUARE NH34 LENGTH 25 CM 48,3x3mm |
| NH34-029 | SQUARE NH34 LENGTH 29 CM 48,3x3mm |
| NH34-050 | SQUARE NH34 LENGTH 50 CM 48,3x3mm |
| NH34-058 | SQUARE NH34 LENGTH 58 CM 48,3x3mm |
| NH34-071 | SQUARE NH34 LENGTH 71 CM 48,3x3mm |
| NH34-075 | SQUARE NH34 LENGTH 75 CM 48,3x3mm |
| NH34-100 | SQUARE NH34 LENGTH 100 CM 48,3x3mm |
| NH34-150 | SQUARE NH34 LENGTH 150 CM 48,3x3mm |
| NH34-200 | SQUARE NH34 LENGTH 200 CM 48,3x3mm |
| NH34-250 | SQUARE NH34 LENGTH 250 CM 48,3x3mm |
| NH34-300 | SQUARE NH34 LENGTH 300 CM 48,3x3mm |
| NH34-350 | SQUARE NH34 LENGTH 350 CM 48,3x3mm |
| NH34-400 | SQUARE NH34 LENGTH 400 CM 48,3x3mm |

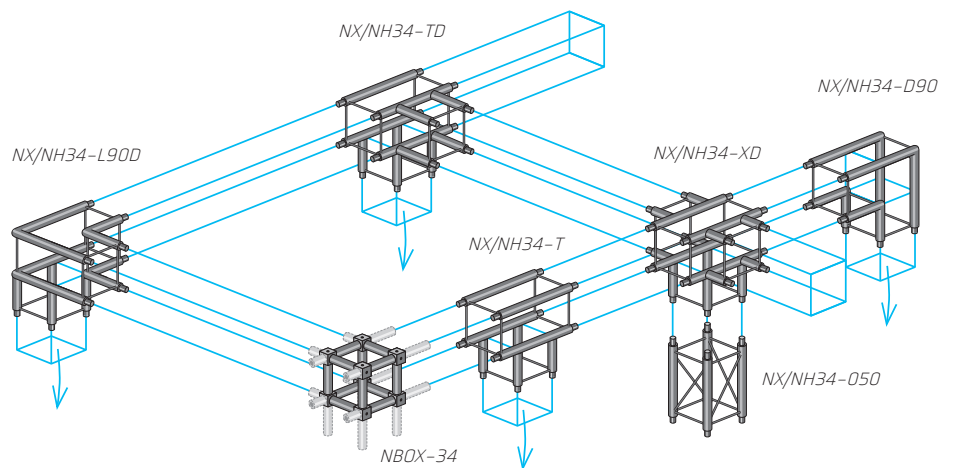
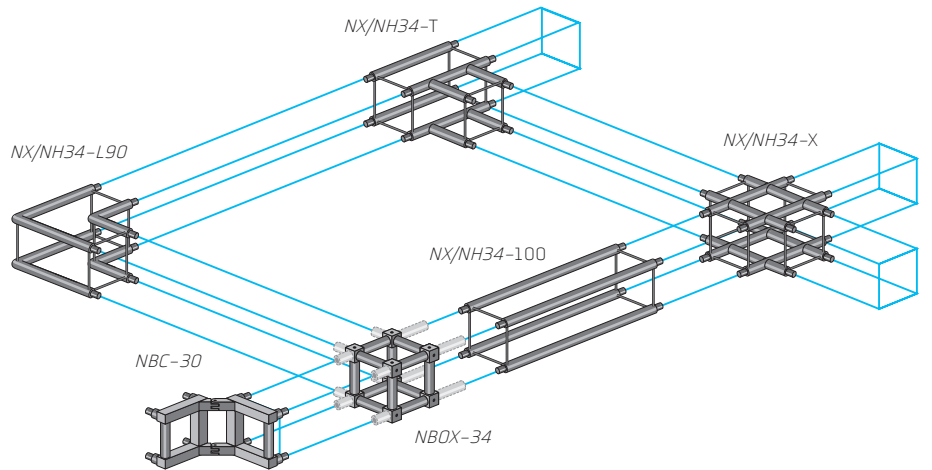


NX/NH34 Corners

In the NX/NH34 series, corner pieces are widely represented, there are many possibilities to perfectly connect the NX/NH34 corner collection with the straight elements. Let your creativity run wild, because these corner pieces offer endless possibilities.

The NX/NH34 series allows a wide variety of structural shapes up to three levels by using corners, crosspieces, T and X-pieces.

| Productcode | Size in cm |
|--------------|------------|
| NX/NH34-L45 | 100x100 |
| NX/NH34-L60 | 100x100 |
| NX/NH34-L90 | 50x50 |
| NX/NH34-L135 | 50x50 |
| NX/NH34-L120 | 50x50 |
| NX/NH34-L90D | 50x50x50 |
| NX/NH34-T | 71x50 |
| NX/NH34-X | 71x71 |
| NX/NH34-TD | 71x50 |
| NX/NH34-XD | 71x71x50 |



All corners are shown without bracing to improve indication of direction.