

STRONG BOY

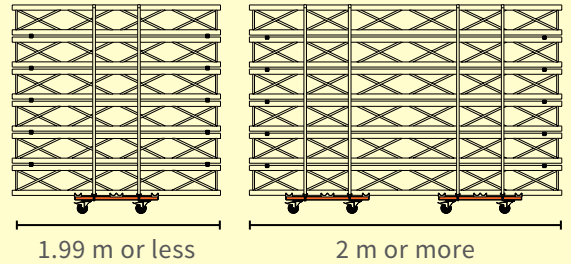
USER MANUAL

Admiral Staging the Netherlands
www.admiralstaging.com +31 534 301 201

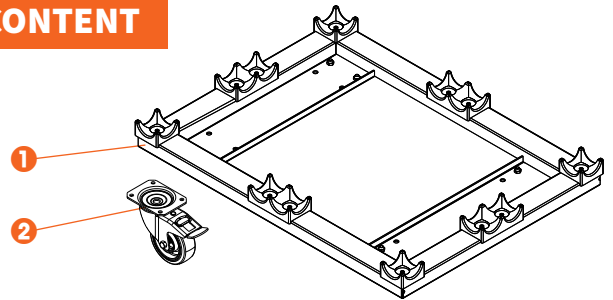
SCOPE

The intended use of the Strong Boy is to transport 30 or 40 truss. Always use two carts when transporting 2 meters of truss or longer. Each badge of truss needs to be secured with straps.

CAUTION

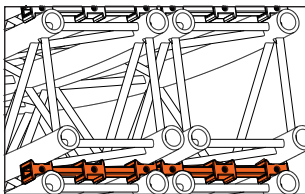


CONTENT

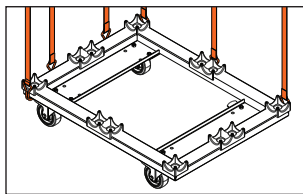


- 1 1 x frame: Strong Boy frame WASBC34
- 2 4 x castor: Swivel castor 100 with break ZEWACW14
- 1 x bolt set: Assembly kit Strong Boy (mini) ZEM2SV35

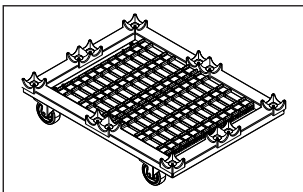
USE



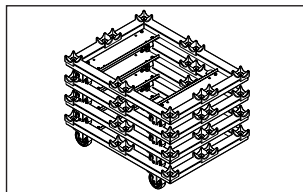
Use Admiral truss carriers to stack the truss.



Secure with sufficient lashing straps.



Store your Admiral 30 truss carriers

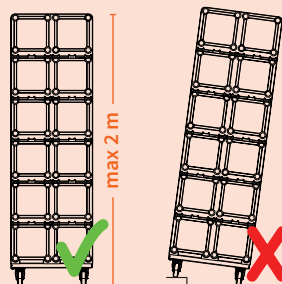


The Strong Boy is stackable for easy storage.

WARNING

Don't load higher than 2 meters to prevent instability.

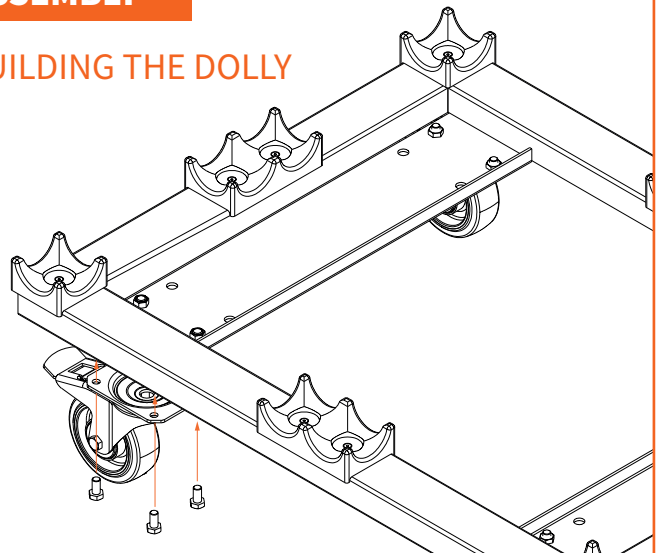
Always use the dolly on a flat surface.



castor Ø100 mm **WLL 130kg** castor Ø125 mm **WLL 130kg**

ASSEMBLY

BUILDING THE DOLLY

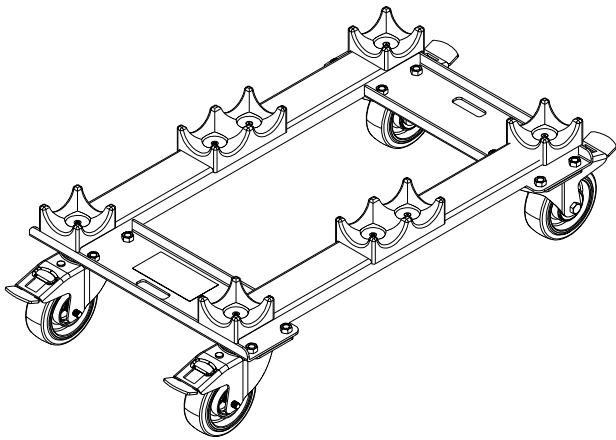


MAINTENANCE

The Strong Boy hardly needs any maintenance under normal use and environmental circumstances. For safety reasons however, all parts must be checked regularly for dirt, damages, loss and corrosion.

- Check all components for damage and corrosion. Damaged and corroded parts shall be rejected and thrown away.

Replaced component shall be genuine Admiral only.



STRONG BOY MINI

USER MANUAL

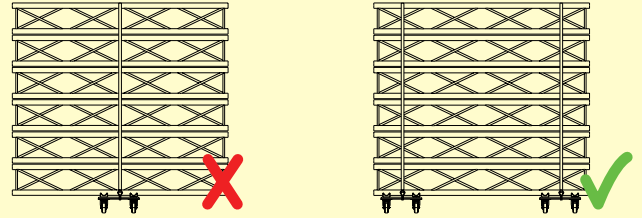
Admiral Staging the Netherlands
www.admiralstaging.com +31 534 301 201

SCOPE

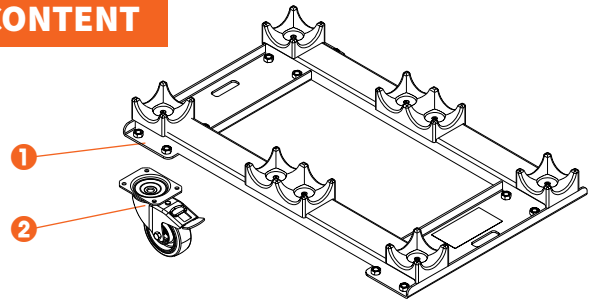
The intended use of the Strong Boy mini is to transport 30 truss. Always use two Strong Boy mini per badge of truss. Each badge of truss needs to be secured with straps at any time.

CAUTION

Always use more than one dolly.



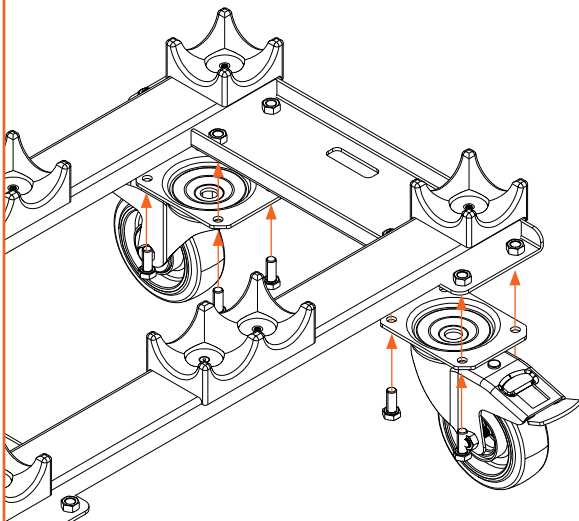
CONTENT



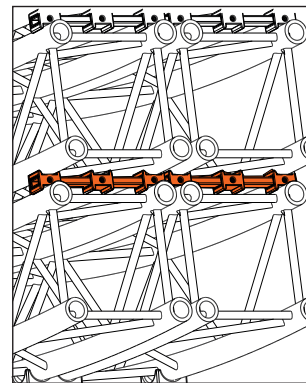
- 1 1 x frame: Strong Boy mini frame WASBM10
- 2 4 x castor: Swivel castor 100 with break ZEWACW14
- 1 x bolt set: Assembly kit Strong Boy mini ZEM2SV35

ASSEMBLY

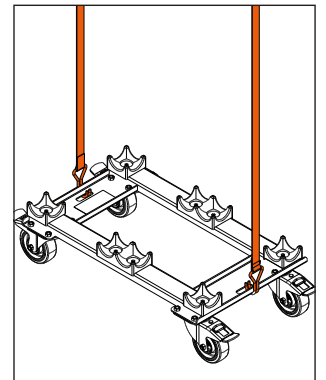
BUILDING THE DOLLY



LOADING



Use Admiral truss carriers to stack the truss.



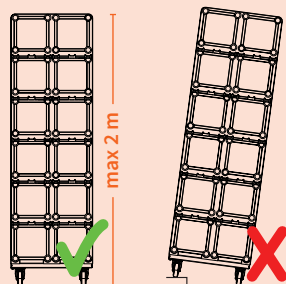
Secure with sufficient lashing straps.

WARNING

Don't load higher than 2 meters to prevent instability.

Always use the dolly on a flat surface.

castor
Ø100 mm **WLL**
130kg



MAINTENANCE

The Strong Boy mini hardly needs any maintenance under normal use and environmental circumstances. For safety reasons however, all parts must be checked regularly for dirt, damages, loss and corrosion.

- Check all components for damage and corrosion. Damaged and corroded parts shall be rejected and thrown away.

Replaced component shall be genuine Admiral only.