

FEATURES

- Triple 10" transducers with Tetracoil technology
- Compact, fast responding, deep bass and loud (137 dB)
- Low-profile (11.8" high) horizontal deployment
- The sound of a single 18" sub
- Variable-angle stacking with an LCC44 or LCC84 unit
- Pole cup accessory for sub/satellite configurations

APPLICATIONS

- Restaurants
- Lounges
- Houses of Worship
- Theaters
- Entertainment Venues
- Outdoor Systems



DESCRIPTION

SUB310 is a compact, fast-responding, and deep bass subwoofer capable of producing a maximum SPL of 137 dB. This triple 10" subwoofer with tetracoil technology can match the sound and output of a single 18" bass enclosure, while housed in a cabinet only 11.8" wide, when deployed vertically, or 11.8" tall when deployed horizontally.

It is equipped with rigging points to stack Tower columns on top (vertical) and has a pole cup accessory that allows you to deploy your favorite satellite on top.

SPECIFICATIONS

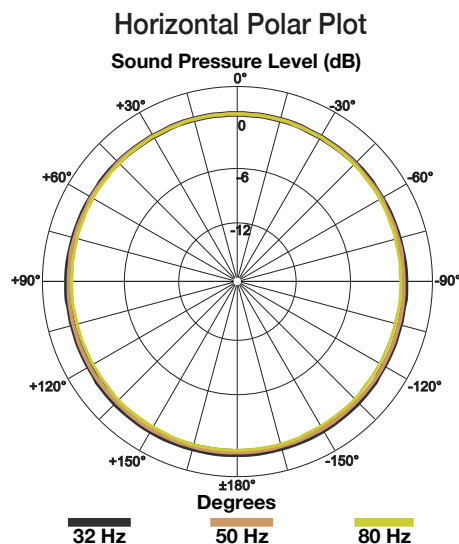
Audio Specifications

- Description:** Passive line source subwoofer, ultra slim with tetracoil technology drivers
- Bandwidth:** 32 Hz – 160 Hz (-6 dB preset dependent)
- Max SPL:** 137 dB SPL @ 1 m with preset
- Power:** 2100 watts (program)
- Directivity:** Omnidirectional
- Elements:** (3) 10" tetracoil technology low frequency drivers
- Impedance:** 3 Ω
- Connectors:** (2) NL4, (1) Neutrik NDL dummyPLUG

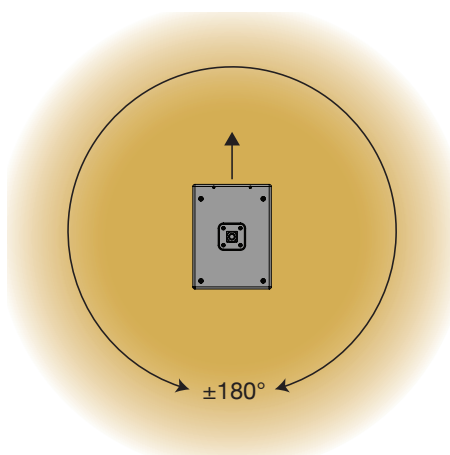
Mechanical Specifications

- IP Rating:** IP55 indoor/outdoor and salt water resistant
- Rigging:** (20) M8 points
- Weight:** 54 lb / 24.5 kg
- Construction:** Finland birch plywood (phenolic resin), three coats of polyurea, matte salt and UV resistant coating, A4 (316) stainless steel hardware, 3D spacer mesh fabric
- Dimensions:** 11.8" (300 mm) x 15.75" (400 mm) x 37.4" (950 mm)
- Colors:** Stocking black and white, custom colors and fabrics available
- Accessories:** Sub Pole Cup, Tower Rigging System, M8 Hanging Kit, Outriggers, removable rubber feet [included]

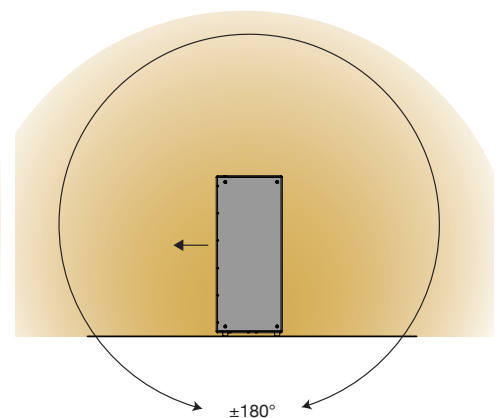
DIRECTIVITY



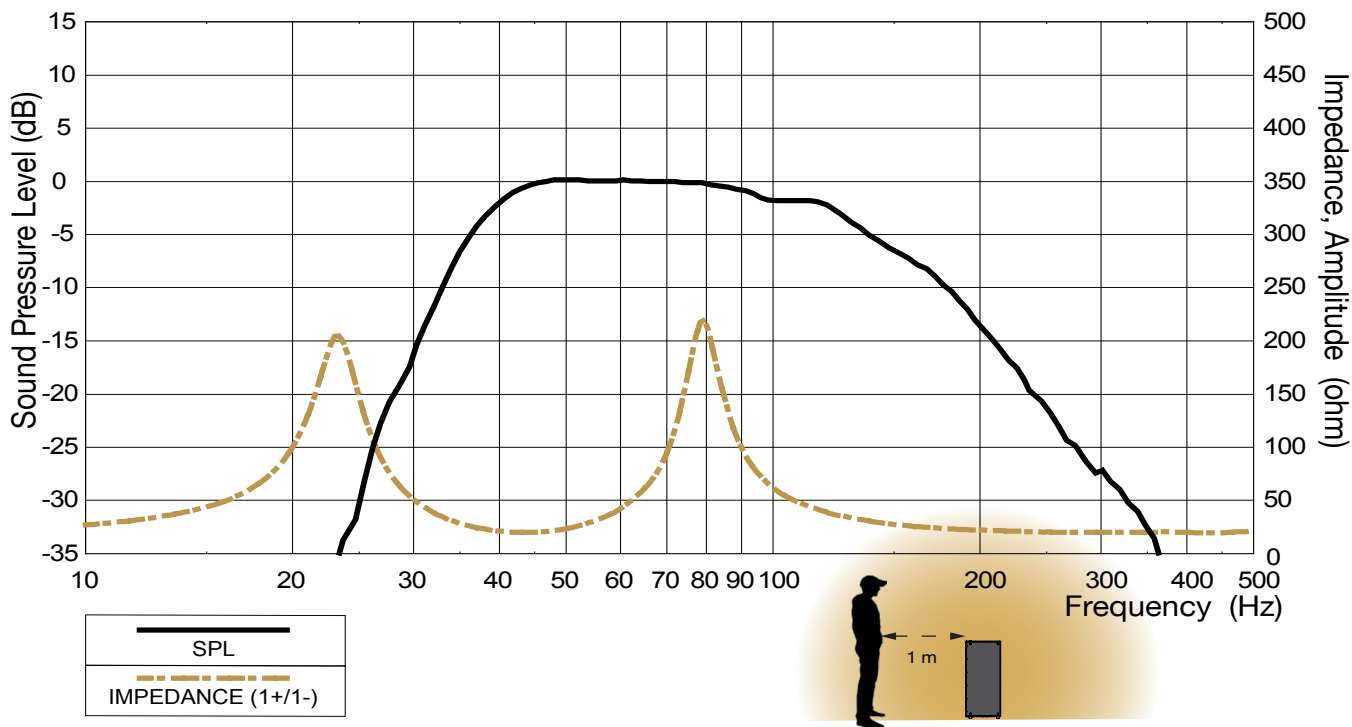
Horizontal Coverage



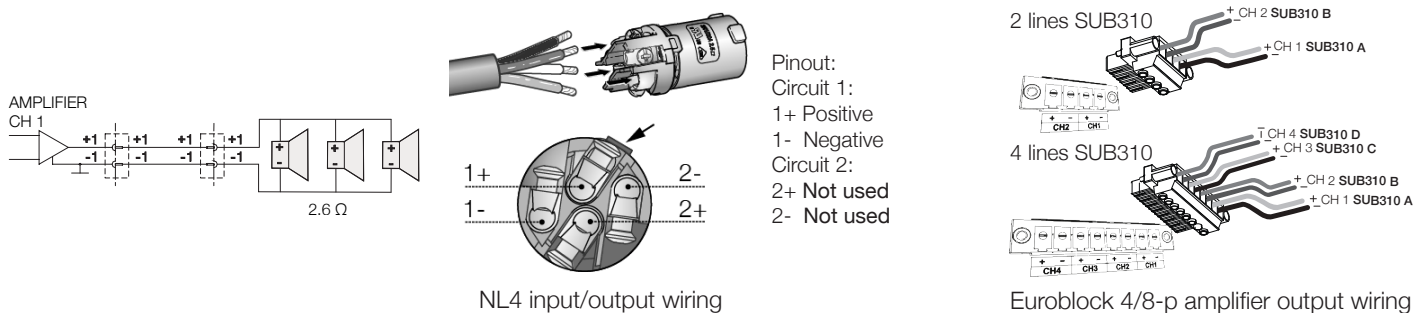
Vertical Coverage



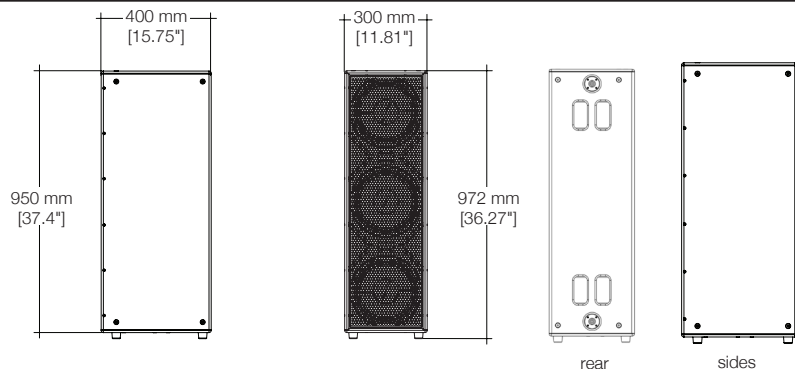
FREQUENCY RESPONSE



WIRING



DIMENSIONS



RIGGING

- (20) points M8
 (6) points M6
- Top: (4) M8 points
 - Bottom: (4) M8 points - (Rubber feet)
 - Sides: (8) M8 points (4 each side)
 - Rear: (4) M8 points
 - *Bottom/top: (6) M6 points (Tower Rigging System)

ACCESSORIES



Contact

For more product or service information please contact the 1 SOUND headquarters.

1 SOUND, Manufacturer
 USA Distributor
 34 Apple Street
 Tinton Falls, NJ 07724

tel. +1-732-798-9900
 sales@1-sound.com

Warranty

All manufactured 1 SOUND products are warranted to be free from defects in materials or workmanship for a period of 3 years from original purchase. If there is specific hardware or grilles you might want replaced or any repairs needed please contact your region's authorized 1 SOUND distributor.

