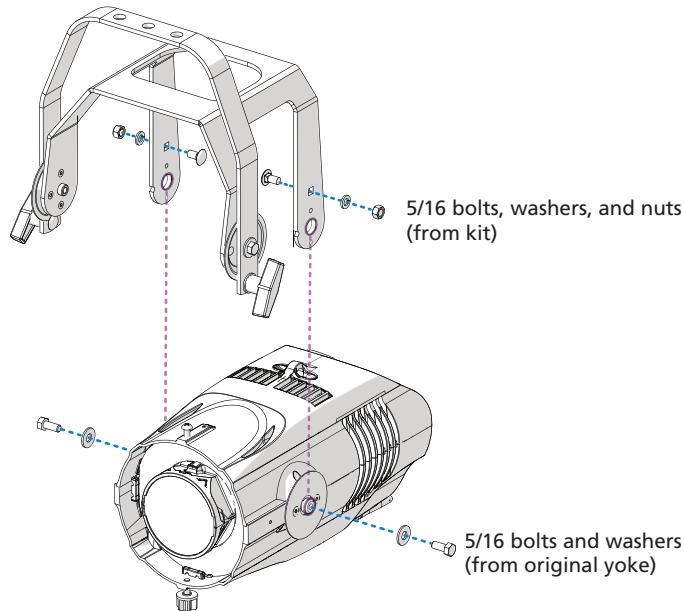


ETC Installation Guide

Source Four LED Balance Yoke

Install the Balance Yoke

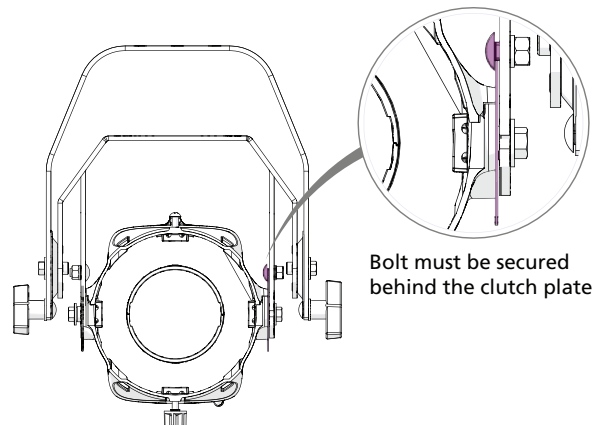


1. Remove the yoke and hardware that were shipped with your Source Four LED fixture. Retain the 5/16 bolts and washers that secure the yoke to the fixture.
2. Using the provided kit hardware, attach the two 5/16 short bolts, two 5/16 washers, and two 5/16 hex nuts to the top holes on the sides of the movable yoke. Leave the bolts loose enough so that you can secure them behind the clutch plates before tightening them.



Note: *In the image above, each bolt in step 2 is positioned so that the head of the bolt is on the "inside" of the movable yoke.*

3. Attach the balance yoke assembly to the fixture, and secure with the 5/16 bolts and washers that you retained from the original yoke. Make sure that the heads of the bolts that you attached in step 2 are secured behind the clutch plates (see image at right). This will lock the moveable yoke to the rear housing.
4. Tighten the hex nuts that you attached in step 2.



Corporate Headquarters ■ Middleton, WI, USA | +1 608 831 4116

Global Offices ■ London, UK | Rome, IT | Holzkirchen, DE | Paris, FR | Hong Kong | Dubai, UAE | Singapore

New York, NY | Orlando, FL | Los Angeles, CA | Austin, TX

Web etcconnect.com | Support support.etcconnect.com | Contact etcconnect.com/contactETC

© 2021 Electronic Theatre Controls, Inc. | Trademark and patent info: etcconnect.com/ip

Product information and specifications subject to change. ETC intends this document to be provided in its entirety.

7462M2130 Rev A Released 2021-09