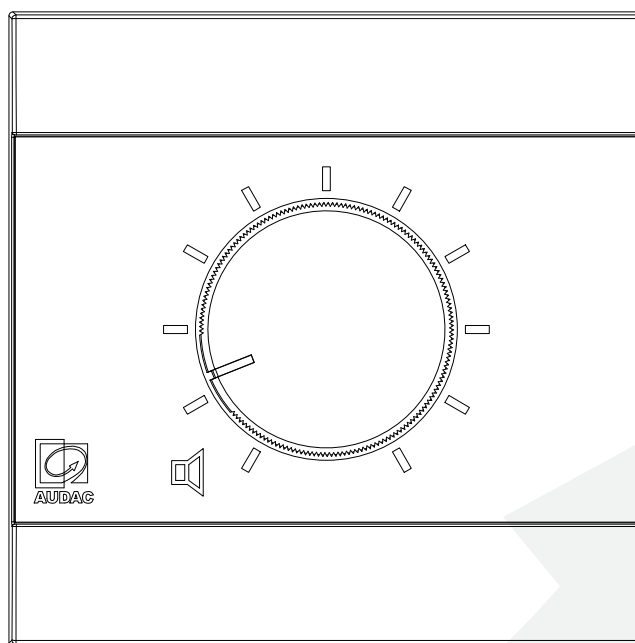


WP200



ADDITIONAL INFORMATION

This manual is put together with much care, and is as complete as could be on the publication date. However, updates on the specifications, functionality or software may have occurred since publication. To obtain the latest version of both manual and software, please visit the Audac website @ www.audac.eu.



Introduction	04
Remote volume controller	05
Precautions	05
Chapter 1	06
Overview front panel	06
Overview rear panel	06
Rear panel description	06
Quick start	06
Chapter 2	07
Connections	07
Connecting a remote volume control	07
Technical specifications	08

Remote volume controller

The WP200 is a remote volume controller which can be stepless regulated over an applied voltage level, allowing volume regulation for a variety of devices. It is compatible with various products working with an analogue input voltage. The front panel is finished with high-grade materials such as hardened glass making them blend into any environment. These wall panels are compatible with standard EU style wall boxes, making them the ideal solution for solid and hollow walls.

READ FOLLOWING INSTRUCTIONS FOR YOUR OWN SAFETY

ALWAYS KEEP THESE INSTRUCTIONS. NEVER THROW THEM AWAY

ALWAYS HANDLE THIS UNIT WITH CARE

HEED ALL WARNINGS

FOLLOW ALL INSTRUCTIONS

NEVER EXPOSE THIS EQUIPMENT TO RAIN, MOISTURE, ANY DRIPPING OR SPLASHING LIQUID. AND NEVER PLACE AN OBJECT FILLED WITH LIQUID ON TOP OF THIS DEVICE

NO NAKED FLAME SOURCES, SUCH AS LIGHTED CANDLES, SHOULD BE PLACED ON THE APPARATUS

DO NOT PLACE THIS UNIT IN AN ENCLOSED ENVIRONMENT SUCH AS A BOOKSHELF OR CLOSET. ENSURE THERE IS ADEQUATE VENTILATION TO COOL THE UNIT. DO NOT BLOCK THE VENTILATION OPENINGS.

DO NOT INSTALL THIS UNIT NEAR ANY HEAT SOURCES SUCH AS RADIATORS OR OTHER APPARATUS THAT PRODUCE HEAT

DO NOT PLACE THIS UNIT IN ENVIRONMENTS WHICH CONTAIN HIGH LEVELS OF DUST, HEAT, MOISTURE OR VIBRATION

THIS UNIT IS DEVELOPED FOR INDOOR USE ONLY. DO NOT USE IT OUTDOORS

PLACE THE UNIT ON A STABLE BASE OR MOUNT IT IN A STABLE RACK

ONLY USE ATTACHMENTS & ACCESSORIES SPECIFIED BY THE MANUFACTURER

USE THE APPARATUS ONLY IN MODERATE CLIMATES



CAUTION - SERVICING

This product contains no user serviceable parts. Refer all servicing to qualified service personnel. Do not perform any servicing (unless you are qualified to)



EC DECLARATION OF CONFORMITY

This product conforms to all the essential requirements and further relevant specifications described in following directives: 2014/30/EU (EMC), 2014/35/EU (LVD)



WASTE ELECTRICAL AND ELECTRONIC EQUIPMENT (WEEE)

The WEEE marking indicates that this product should not be disposed with regular household waste at the end of its life cycle. This regulation is created to prevent any possible harm to the environment or human health.

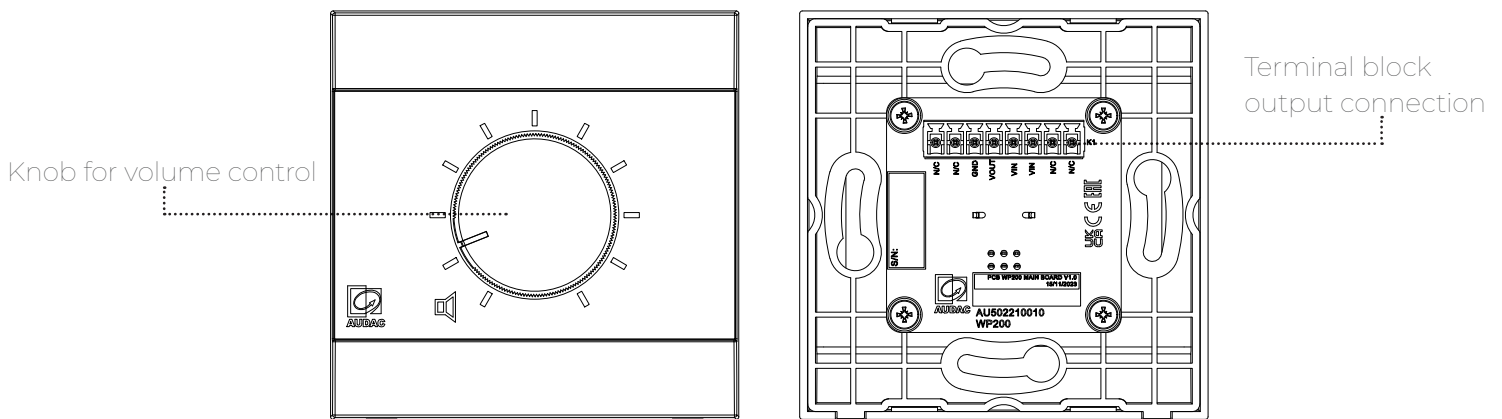
This product is developed and manufactured with high quality materials and components which can be recycled and/or reused. Please dispose this product at your local collection point or recycling centre for electrical and electronic waste. This will make sure that it will be recycled in an environmentally friendly manner, and will help to protect the environment in which we all live.

Overview front panel

On the front of the wall panel you will find a knob which controls an anti-log potentiometer for the volume control.

Overview rear panel

The rear of the WP200 contains an 8-pin Terminal Block connector, which is used to connect the wall panel to the twisted pair cabling.



Rear panel description

8-pin terminal block (3.81 mm pitch) output connection

The rear of the WP200 contains an 8-pin Euro-Terminal Block connector, where the wall panel must be connected to twisted pair cabling. For more information on how to make the connections can be found under “Connections” in Chapter 2 of this manual.

Quick start

Install your wall panel on the desired location by means of the optional available WB200 (surface mount wall box) or WB45SI/FS (for solid walls) or WB45S/FG (for hollow walls) installation boxes. Provide a twisted pair cable (CAT5E or better) from the receiving device to the wall panel.

Connect the 8-pin terminal block to a receiving device with a twisted pair cable. After all those connections are made, just plug-in the connectors of the twisted pair cable to “Remote Volume Control” RJ45 port of the SCP series or “Volume Controller” RJ45 port of the AMP22. Plug in the mains power on the loudspeaker side and your system is ready for operation.

Connections

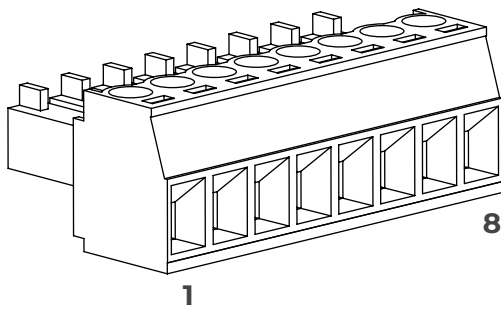
CONNECTION STANDARDS

The in- and output connections for AUDAC audio equipment are performed according to international wiring standards for professional audio equipment

Terminal block (Volume control)

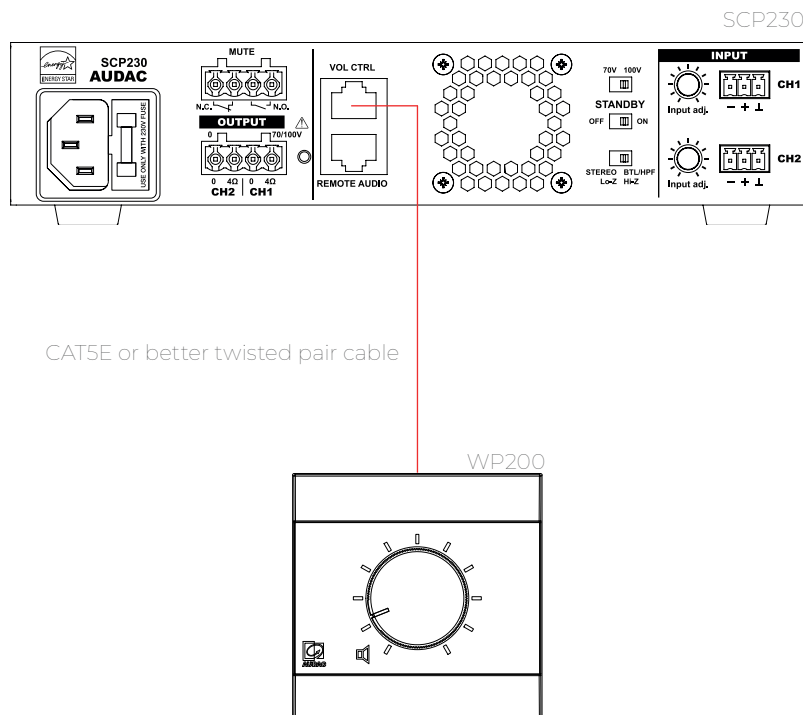
For connection to Wall Panels

The 8-pin Euro-Terminal Block on the rear side of the WP200 should be connected to twisted pair cabling. The maximum cable distance between WP200 and the audio equipment can reach up to 300 meters. The pin numbers match with pin numbers of RJ45 since devices like the SCP series and AMP22 have RJ45 ports on them. To ensure proper working of the system, all 8 conductors of the twisted pair cable have to be connected according to the table below.



Pin 1	White-Orange	Not connected
Pin 2	Orange	Not connected
Pin 3	White-Green	GND
Pin 4	Blue	Variable voltage out
Pin 5	White-Blue	Voltage in
Pin 6	Green	Voltage in
Pin 7	White-Brown	Not connected
Pin 8	Brown	Not connected

Connecting a remote volume control



Technical specifications

Connection	Type	8-pin terminal block 3.81mm
	Maximum distance	300 meters
Dimensions		80 x 80 x 53 mm (W x H x D)
Built-In depth		35 mm
Colours		Black (RAL9005)
		White (RAL9003)
Front finish		ABS with glass
Accessories	Surface mount wall box	WB200
	Solid wall	WB45SI/FS
	Hollow wall	WB45S/FG
Compatible devices		SCP series
		AMP22
		APC20

