



**ADMIRAL**  
STAGING

# FLEX RAMP<sup>®</sup>

Easily customize ramps for various stage heights using our Flex Ramp system. With three types of Flex components, you can create ramps for stage heights between 40 and 180 cm. Depending on your desired height, the ramp can consist of 2 to 6 decks and span between 4 and 12 meters in length.



## KEY FEATURES

### Flexible installation

The adjustable slope and adaptable legs provide flexibility during installation, making it possible to accommodate stages of varying heights.

### Robust construction

When used in combination with a stage of minimum 6 x 4 m, the Flex Ramp can support a maximum load of 500 kg/m<sup>2</sup>.

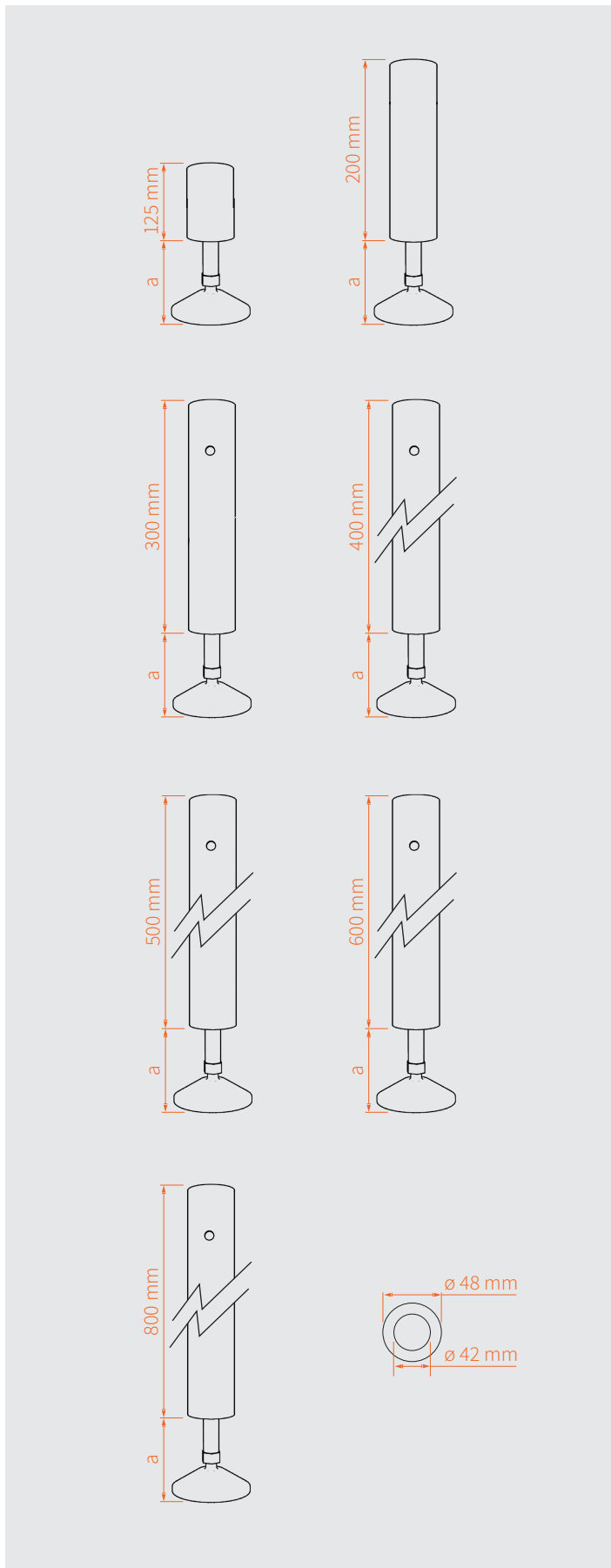
### Smart configuration

Easily determine the necessary Flex elements for your desired ramp height and slope with our simple and user-friendly Flex Ramp calculator.

© Design registered in the EU and UK

[www.admiralstaging.com](http://www.admiralstaging.com)

## DIMENSIONS



## TECHNICAL DATA

### Flex Leg

Article code:	POURP125	POURP200
EAN:	8720094420226	8720094420288
Max load*:	500 kg/m <sup>2</sup>	
Material:	aluminium	
Dimensions:	125 x $\varnothing$ 48 mm	200 x $\varnothing$ 48 mm
Weight:	0.6 kg	0.7 kg
Feet (a):	30/120 mm min/max	
Colour:	grey	

Article code:	POURP300	POURP400
EAN:	8720094420233	8720094420240
Max load*:	500 kg/m <sup>2</sup>	
Material:	aluminium	
Dimensions:	300 x $\varnothing$ 48 mm	400 x $\varnothing$ 48 mm
Weight:	0.8 kg	0.9 kg
Feet (a):	30/120 mm min/max	
Colour:	grey	

Article code:	POURP500	POURP600
EAN:	8720094420257	8720094420271
Max load*:	500 kg/m <sup>2</sup>	
Material:	aluminium	
Dimensions:	500 x $\varnothing$ 48 mm	600 x $\varnothing$ 48 mm
Weight:	1.0 kg	1.2 kg
Feet (a):	30/120 mm min/max	
Colour:	grey	

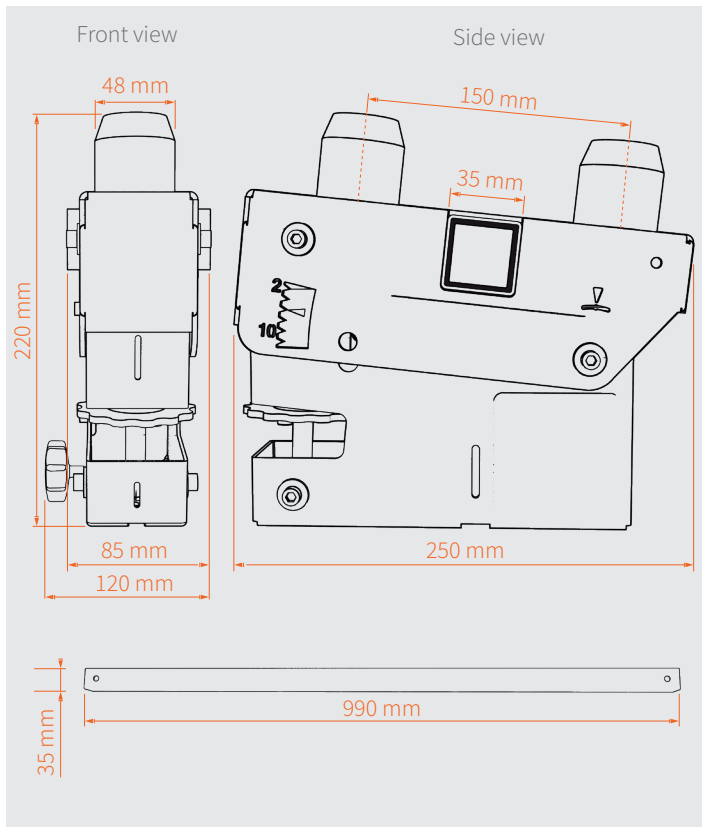
Article code:	POURP800
EAN:	8720094420356
Max load*:	500 kg/m <sup>2</sup>
Material:	aluminium
Dimensions:	800 x $\varnothing$ 48 mm
Weight:	1.54 kg
Feet (a):	30/120 mm min/max
Colour:	grey

\* Max load is calculated in combination with a stage of 6 x 4 m minimum and not as a stand alone structure.

### NOTICE

The Flex Ramp is compatible with decks from Prolyte, Nivtec, Innodeck and Sixty82 Stage 82. Please note that Eurotruss decks are not compatible with the Flex Ramp.

## DIMENSIONS



## TECHNICAL DATA

### Flex Housing Set

Article code: POURF110

EAN: 8720094420264

Max load\*: 500 kg/m<sup>2</sup>

Weight: 10.1 kg

#### Set includes

##### Flex House

Article code: POURH400

EAN: 8720094420370

Material: steel

Dimensions: 250 x 60 x 220 mm (L x W x H)

Weight: 4.1 kg

Colour: grey/orange

##### Flex Brace

Article code: POURP003

EAN: 8720094420363

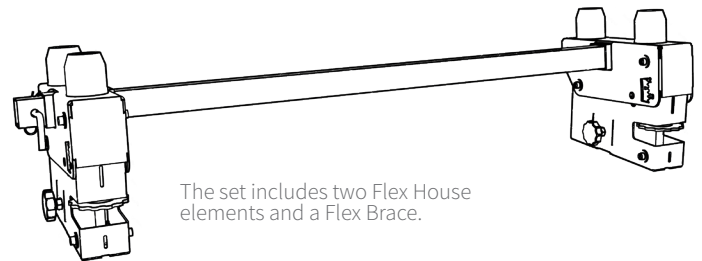
Material: steel

Dimensions: 35 x 35 x 990 mm (L x W x H)

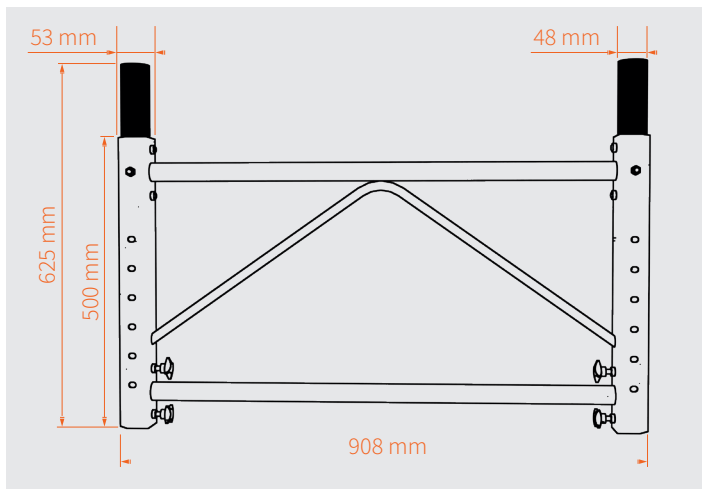
Weight: 1.9 kg

Colour: orange

\* Max load is calculated in combination with a stage of 6 x 4 m minimum and not as a stand alone structure.



The set includes two Flex House elements and a Flex Brace.



### Flex Frame

Article code: POURF100

EAN: 8720094420219

Max load\*: 500 kg/m<sup>2</sup>

Material: steel

Dimensions: 910 x 625 x 55 mm (L x W x H)

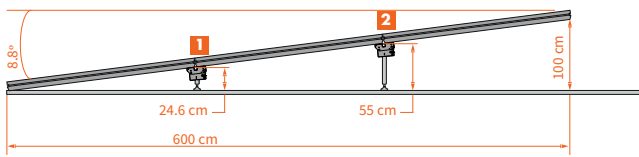
Weight: 5.6 kg

Colour: grey

\* Max load is calculated in combination with a stage of 6 x 4 m minimum and not as a stand alone structure.

# COMBINATIONS/POSSIBILITIES

## Stage height 100 cm - 3 decks



### 1 First position

- 1x POURF110 - Flex Housing set
- 2x POURP200 - Flex Leg H 200 mm

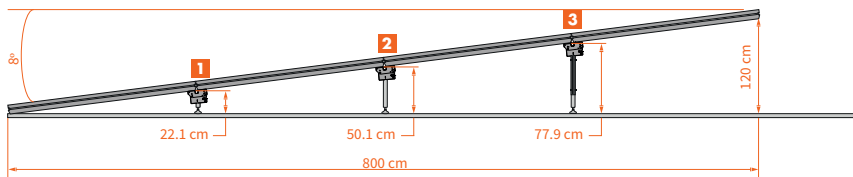
### 2 Second position

- 1x POURF110 - Flex Housing set
- 2x POURP500 - Flex Leg H 500 mm

### + Total amount of products

- 2x POURF110 - Flex Housing set
- 2x POURP200 - Flex Leg H 200 mm
- 2x POURP500 - Flex Leg H 500 mm

## Stage height 120 cm - 4 decks



### 1 First position

- 1x POURF110 - Flex Housing set
- 2x POURP125 - Flex Leg H 125 mm

### 2 Second position

- 1x POURF110 - Flex Housing set
- 2x POURP400 - Flex Leg H 400 mm

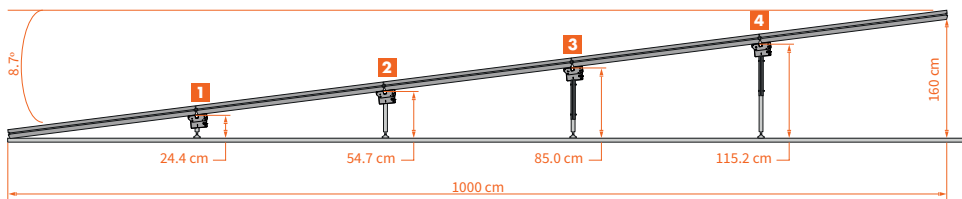
### 3 Third position

- 1x POURF110 - Flex Housing set
- 2x POURP400 - Flex Leg H 400 mm
- 1x POURF100 - Flex Frame H 500 mm

### + Total amount of products

- 3x POURF110 - Flex Housing set
- 2x POURP125 - Flex leg H 125 mm
- 4x POURP400 - Flex leg H 400 mm
- 1x POURF100 - Flex Frame H 500mm

## Stage height 160 cm - 5 decks



### 1 First position

- 1x POURF110 - Flex Housing set
- 2x POURP200 - Flex Leg H 200mm

### 2 Second position

- 1x POURF110 - Flex Housing set
- 2x POURP500 - Flex Leg H 500 mm

### 3 Third position

- 1x POURF110 - Flex Housing set
- 2x POURP400 - Flex Leg H 400 mm
- 1x POURF100 - Flex Frame H 500 mm

### 4 Fourth position

- 1x POURF110 - Flex Housing set
- 2x POURP600 - Flex Leg H 600 mm
- 1x POURF100 - Flex Frame H 500 mm

### + Total amount of products

- 4x POURF110 - Flex Housing set
- 2x POURF100 - Flex Frame H 500mm
- 2x POURP200 - Flex leg H 200 mm
- 2x POURP400 - Flex leg H 400 mm
- 2x POURP500 - Flex leg H 500 mm
- 2x POURP600 - Flex leg H 600 mm



Scan the QR code to see all the possibilities in the FLEX RAMP calculator.



**ADMIRAL**  
STAGING

| [www.admiralstaging.com](http://www.admiralstaging.com) | Josink Kolkweg 10 | 7545 PR Enschede | The Netherlands | Tel: +31 53 4 301 201 |